



Chipsmall Limited consists of a professional team with an average of over 10 year of expertise in the distribution of electronic components. Based in Hongkong, we have already established firm and mutual-benefit business relationships with customers from,Europe,America and south Asia,supplying obsolete and hard-to-find components to meet their specific needs.

With the principle of “Quality Parts,Customers Priority,Honest Operation,and Considerate Service”,our business mainly focus on the distribution of electronic components. Line cards we deal with include Microchip,ALPS,ROHM,Xilinx,Pulse,ON,Everlight and Freescale. Main products comprise IC,Modules,Potentiometer,IC Socket,Relay,Connector.Our parts cover such applications as commercial,industrial, and automotives areas.

We are looking forward to setting up business relationship with you and hope to provide you with the best service and solution. Let us make a better world for our industry!



Contact us

Tel: +86-755-8981 8866 Fax: +86-755-8427 6832

Email & Skype: info@chipsmall.com Web: www.chipsmall.com

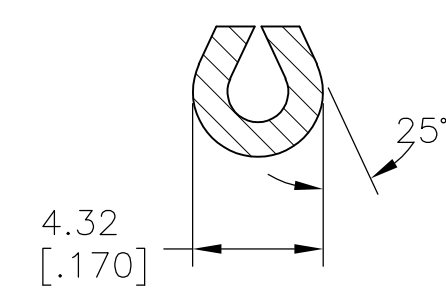
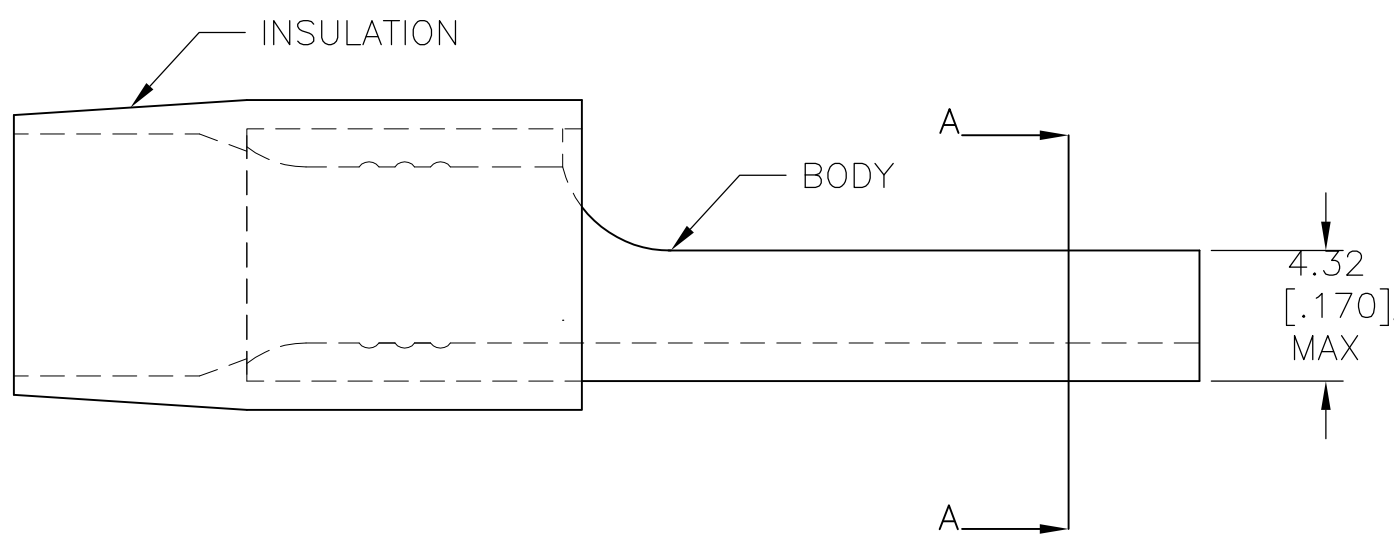
Address: A1208, Overseas Decoration Building, #122 Zhenhua RD., Futian, Shenzhen, China



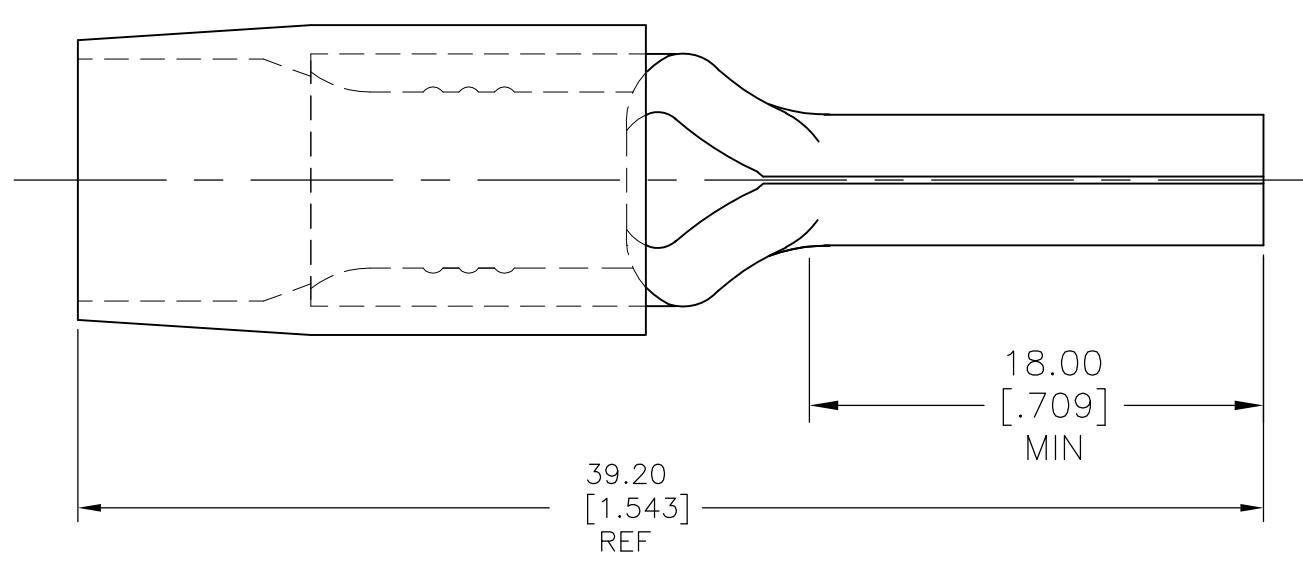
THIS DRAWING IS UNPUBLISHED. RELEASED FOR PUBLICATION
 © COPYRIGHT - By - ALL RIGHTS RESERVED.

LOC	DIST	REVISIONS			
P	LTR	DESCRIPTION	DATE	DWN	APVD
AL	2	B1	REVISED PER ECO-11-020548	13JAN12	KH DR

- 1 BODY: COPPER PER ASTM B152
INSULATION : NYLON,BLUE
- 2 TIN PLATE PER ASTM B545
- 3. FOR 8.0[.315] MAX INSULATION DIAMETER



SECTION A-A



736066
PART NO

THIS DRAWING IS A CONTROLLED DOCUMENT.		DWN KIRAN HOLAL 13JAN12	TE Connectivity			
DIMENSIONS: mm [INCHES]		CHK ROHDE DANIEL 13JAN12				
TOLERANCES UNLESS OTHERWISE SPECIFIED:		APVD ROHDE DANIEL 13JAN12	NAME			
0 PLC ± - 1 PLC ± - 2 PLC ± 0.20[.008] 3 PLC ± - 4 PLC ± - ANGLES ± 1°		PRODUCT SPEC	TERMINAL TERMINYL WIRE PIN WIRE SIZE : 6 AWG			
MATERIAL		APPLICATION SPEC	SIZE	CAGE CODE	DRAWING NO	RESTRICTED TO
FINISH		WEIGHT	A3	00779	C-736066	-
1		CUSTOMER DRAWING		SCALE	SHEET	REV
2				5:1	1 OF 1	B1