



Chipsmall Limited consists of a professional team with an average of over 10 year of expertise in the distribution of electronic components. Based in Hongkong, we have already established firm and mutual-benefit business relationships with customers from,Europe,America and south Asia,supplying obsolete and hard-to-find components to meet their specific needs.

With the principle of “Quality Parts,Customers Priority,Honest Operation,and Considerate Service”,our business mainly focus on the distribution of electronic components. Line cards we deal with include Microchip,ALPS,ROHM,Xilinx,Pulse,ON,Everlight and Freescale. Main products comprise IC,Modules,Potentiometer,IC Socket,Relay,Connector.Our parts cover such applications as commercial,industrial, and automotives areas.

We are looking forward to setting up business relationship with you and hope to provide you with the best service and solution. Let us make a better world for our industry!



## Contact us

Tel: +86-755-8981 8866 Fax: +86-755-8427 6832

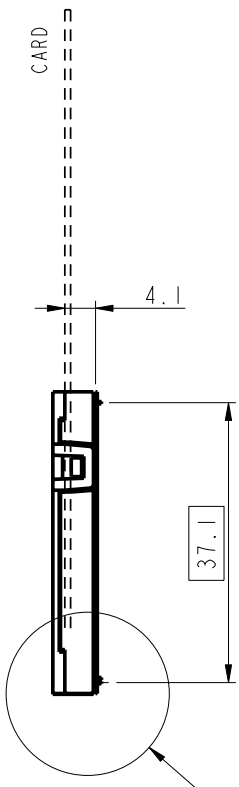
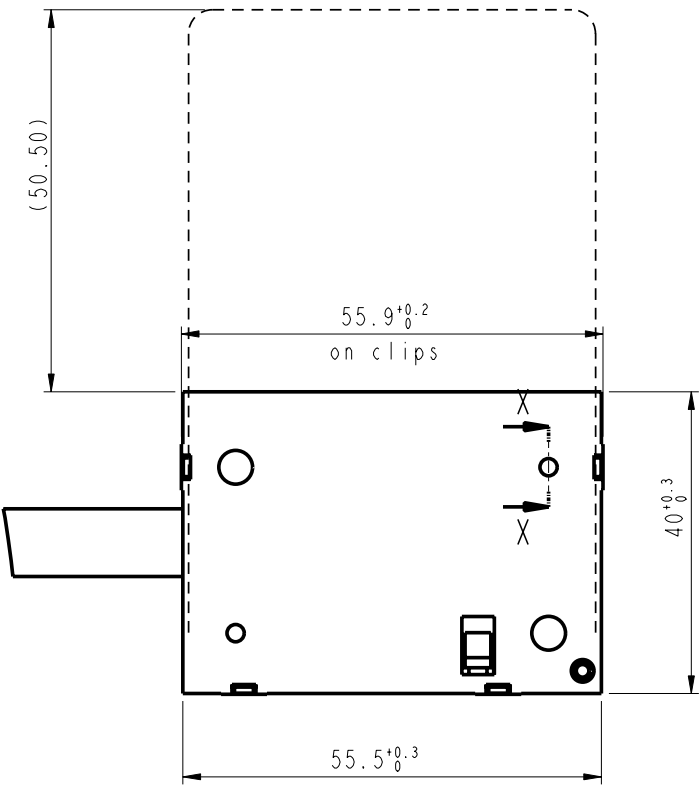
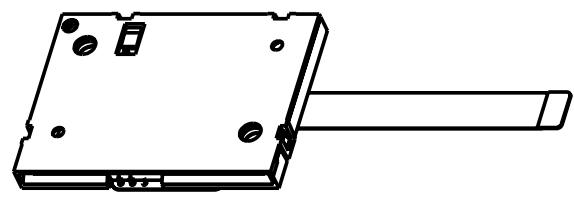
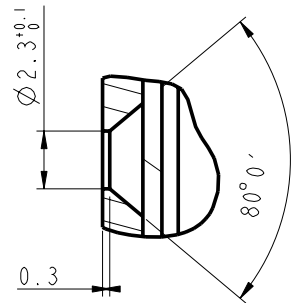
Email & Skype: info@chipsmall.com Web: www.chipsmall.com

Address: A1208, Overseas Decoration Building, #122 Zhenhua RD., Futian, Shenzhen, China



PART NUMBER	LEAD FREE VERSION
7361E0215S08	7361E0215S08LF

SECTION X-X  
SCALE 5:1



**GENERAL :**  
High cycle life duration smart card connector with landing type contacts mechanism. The landing type connector also provides the feature of recessed contacts when card is not inserted which protects them against vandalism.  
Smart card for reference purposes only.

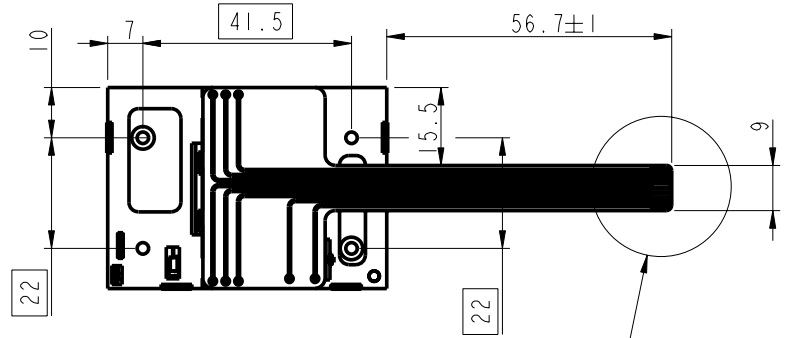
**ELECTRICAL PROPERTIES:**  
Insulation resistance : > 1000MΩ  
Dielectric withstanding voltage : >750 Vrms  
Current carrying capacity : Min 10μA, Max 1A  
Contact resistance : < 100mΩ

**MECHANICAL PROPERTIES :**  
Operating force : Insertion : F < 10N  
Withdrawal : 1 < F < 10N  
Contact Normal force : 0.2 < F < 0.3 for 0.6mm of deflection  
Durability : 200 000 mating cycles

**MATERIAL :**  
Head reader : Thermoplastic, Colour Grey, Rated UL94V0  
Cover : Thermoplastic, Colour Grey, Rated UL94V0  
Contacts : Copper alloy,  
Plating : Gold over Ni or equivalent on contact area  
SnPb over Ni on solder tails (for leaded version)  
Matte tin over Ni on solder tails (for lead free version)

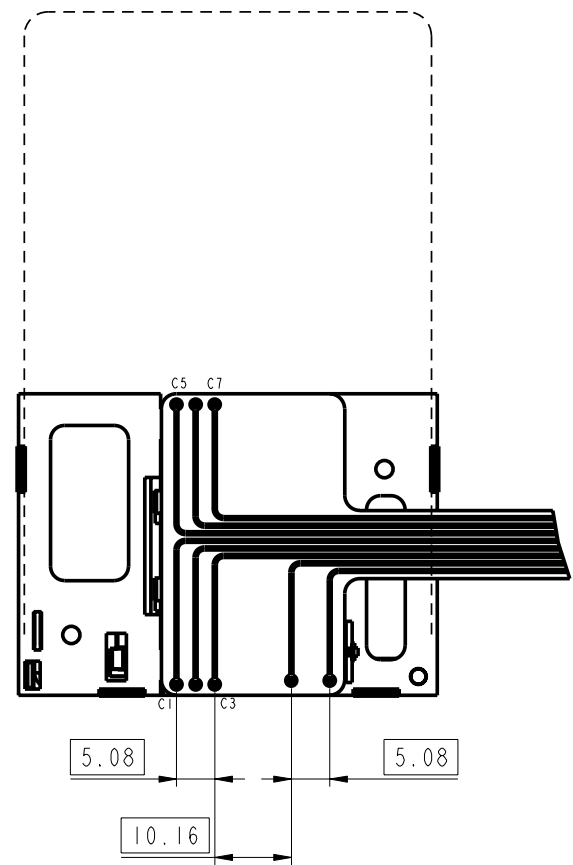
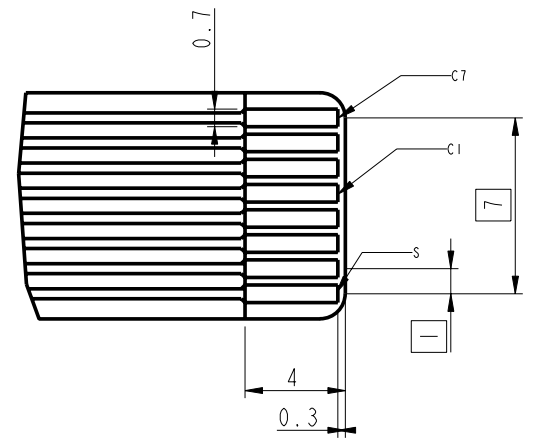
**ENVIRONMENT :**  
Operating temperature : -40°C / +90°C  
Climatic conditions : UTE 93-421

**PACKAGING :**  
Plastic cavity tray

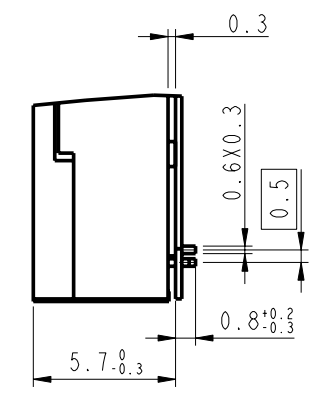


SEE DETAIL AA

DETAIL AA  
SCALE 5:1



SEE DETAIL B



DETAIL B  
SCALE 5:1

LEAD FREE VERSION:  
"This product meets European Union Directives and other country regulations as described in GS-22-008"

Copyright FCI  
FCI

General Tolerances			
0 to 10mm:	±0.1mm		
10 to 30mm:	±0.15mm		
30 to 60mm:	±0.2mm		
60 and more:	±0.3mm		

rev	ecn no	dr	date
B	F20341	DLE	2002/06/04
C	LS3077	MPE	2003/09/17
D	LS3088	MPE	2003/10-17
E	104-0051	DTK	2004/07/17
F	105-0181	NT	2005/10/04
G	106-0078	DTK	2006/06/19
H	109-0013	SSC	2009/01/24

www.fciconnect.com		surface --	tolerance std	projection	mm
		ISO 1302	ISO 406 ISO 1101	ISO 1101	
TOLERANCES UNLESS OTHERWISE SPECIFIED					
ANGULAR	LINEAR	0.X	±	size	Scale
0° ±'	0.XXX	±	±	A2	3:2
Product family MOBILE I/O				ECN	109-0013
Spec ref					
E02-SIDE-FLEX 6 CTS			dwg no	VJW_53951	Rev.
SMART CARD READER VXX 27790					H
catalog no			See Table	CUSTOMER	sheet 1 of 1