



Chipsmall Limited consists of a professional team with an average of over 10 year of expertise in the distribution of electronic components. Based in Hongkong, we have already established firm and mutual-benefit business relationships with customers from,Europe,America and south Asia,supplying obsolete and hard-to-find components to meet their specific needs.

With the principle of “Quality Parts,Customers Priority,Honest Operation,and Considerate Service”,our business mainly focus on the distribution of electronic components. Line cards we deal with include Microchip,ALPS,ROHM,Xilinx,Pulse,ON,Everlight and Freescale. Main products comprise IC,Modules,Potentiometer,IC Socket,Relay,Connector.Our parts cover such applications as commercial,industrial, and automotives areas.

We are looking forward to setting up business relationship with you and hope to provide you with the best service and solution. Let us make a better world for our industry!



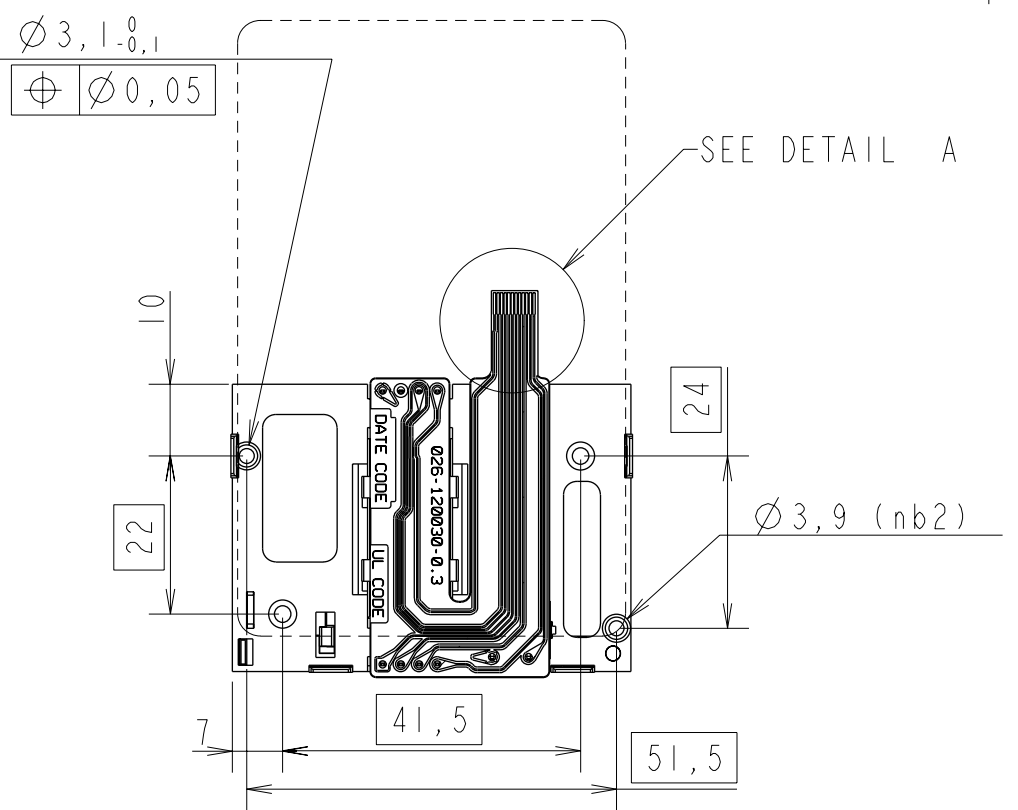
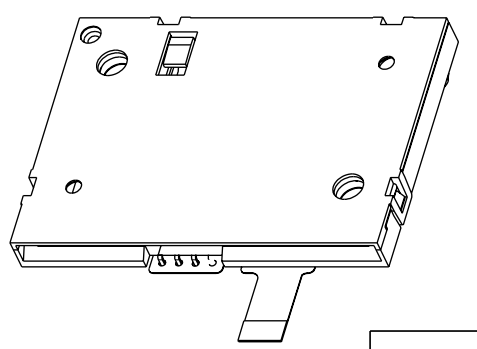
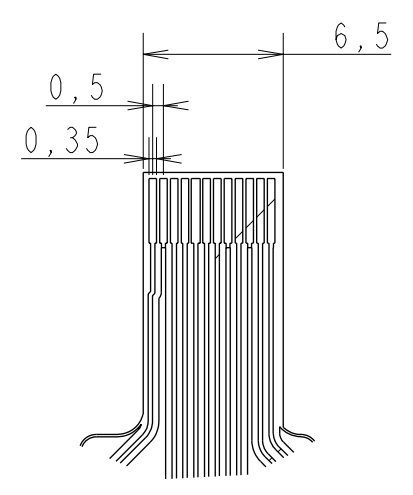
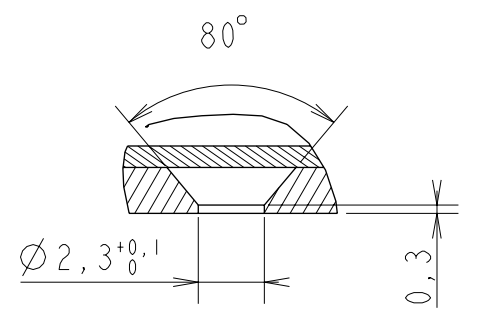
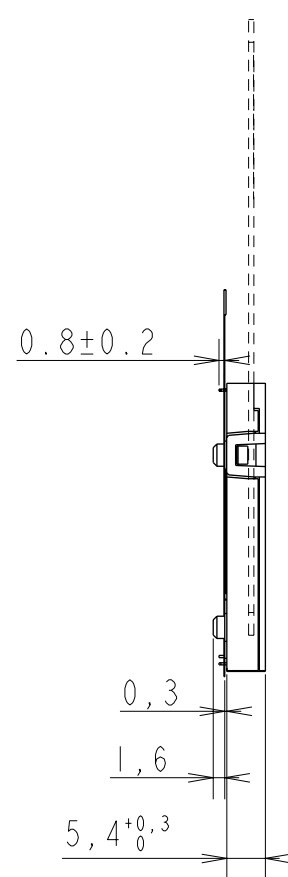
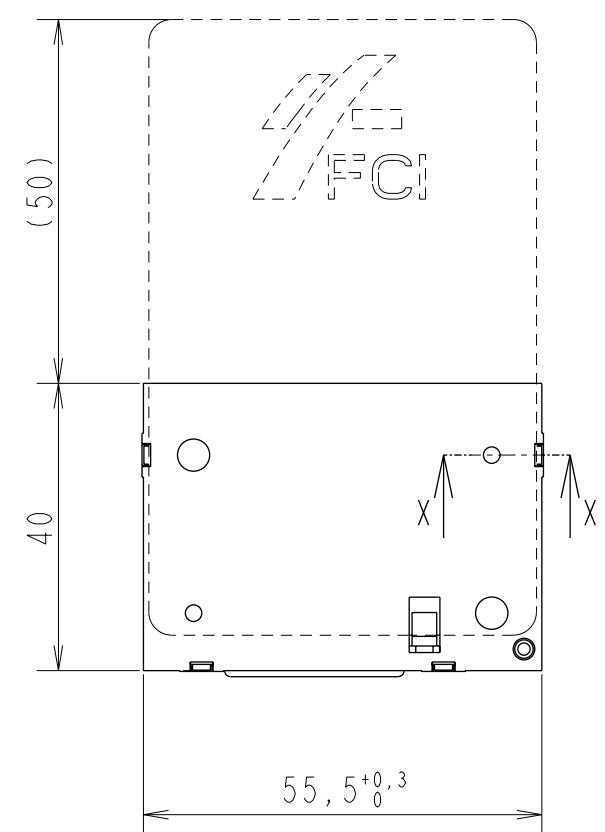
Contact us

Tel: +86-755-8981 8866 Fax: +86-755-8427 6832

Email & Skype: info@chipsmall.com Web: www.chipsmall.com

Address: A1208, Overseas Decoration Building, #122 Zhenhua RD., Futian, Shenzhen, China





PARTS NUMBER	LEAD FREE
7361E0225S17	7361E0225S17LF

rev	ecn no	dr	date
2	-	DTK	2005/11/03
A	106-0025	DTK	2006/03/01
B	106-0084	SSC	2006/06/21
C	108-0092	SSC	2008/07/25

www.fciconnect.com		surface -- ✓ ISO 1302	tolerance std ISO 406 ISO 1101	projection mm
TOLERANCES UNLESS OTHERWISE SPECIFIED				
Dr	DILIPTHOMAS	2005/05/11	ANGULAR	0.x ±
Eng	DILIPTHOMAS	2005/05/11	LINEAR	0.xx ±
Chr	S.S.CHERIAN	2008/07/25	0° ±	0.xxx ±
Appr	S.S.CHERIAN	2008/07/25	Product family	MOBILE I/O
title				size A3
E02 CARD READER-U FLEX				Scale 1:1
PROTECTED SLIDING				ECN 108-0092
catalog no				Spec ref --
SEE TABLE				Rev. C
CUSTOMER				7361E0225S17
sheet 1 of 1				

GENERAL :
High cycle life duration smart card connector with semi landing type contacts mechanism.
Smart card for reference purpose only.

ELECTRICAL PROPERTIES :
Insulation resistance : > 1000MΩ
Dielectric withstanding voltage : >750 Vrms
Current carrying capacity : Min 10µA, Max 1A
Contact resistance : < 100mΩ

MECHANICAL PROPERTIES :
Operating force : Insertion : F < 10N
Withdrawal : I < F < 10N
Contact normal force : 0.2 < F < 0.5N for 0.6mm of deflection
Durability : 50 000 mating cycles

MATERIAL :
Head reader : High Temp. Thermoplastic, Colour Black, Rated UL94V0
Cover : High Temp. Thermoplastic, Colour Grey, Rated UL94V0
Contacts : Copper alloy
Plating : 2.5µm Nickel min. all over
2µm Gold min. on contact area
3µm SnPb(60/40) min. on solder tails

ENVIRONMENT :
Operating temperature : -20°C / +70°C
Storage temperature : -40°C / +85°C
Climatic condition : UTE 93-421

PACKAGING :
Cavity tray

LEAD FREE VERSION:
"This product meets European Union Directives and other country regulations as described in GS-22-008."

FLEX DETAILS
Base Film: Polyamide
Conductor: Copper Foil 25-40µm
Coverlay: Save varnish
Plating: Gold Flash

General Tolerances	
0 to 10mm:	±0.1mm
10 to 30mm:	±0.15mm
30 to 60mm:	±0.2mm
60 and more:	±0.3mm