



Chipsmall Limited consists of a professional team with an average of over 10 year of expertise in the distribution of electronic components. Based in Hongkong, we have already established firm and mutual-benefit business relationships with customers from,Europe,America and south Asia,supplying obsolete and hard-to-find components to meet their specific needs.

With the principle of “Quality Parts,Customers Priority,Honest Operation,and Considerate Service”,our business mainly focus on the distribution of electronic components. Line cards we deal with include Microchip,ALPS,ROHM,Xilinx,Pulse,ON,Everlight and Freescale. Main products comprise IC,Modules,Potentiometer,IC Socket,Relay,Connector.Our parts cover such applications as commercial,industrial, and automotives areas.

We are looking forward to setting up business relationship with you and hope to provide you with the best service and solution. Let us make a better world for our industry!



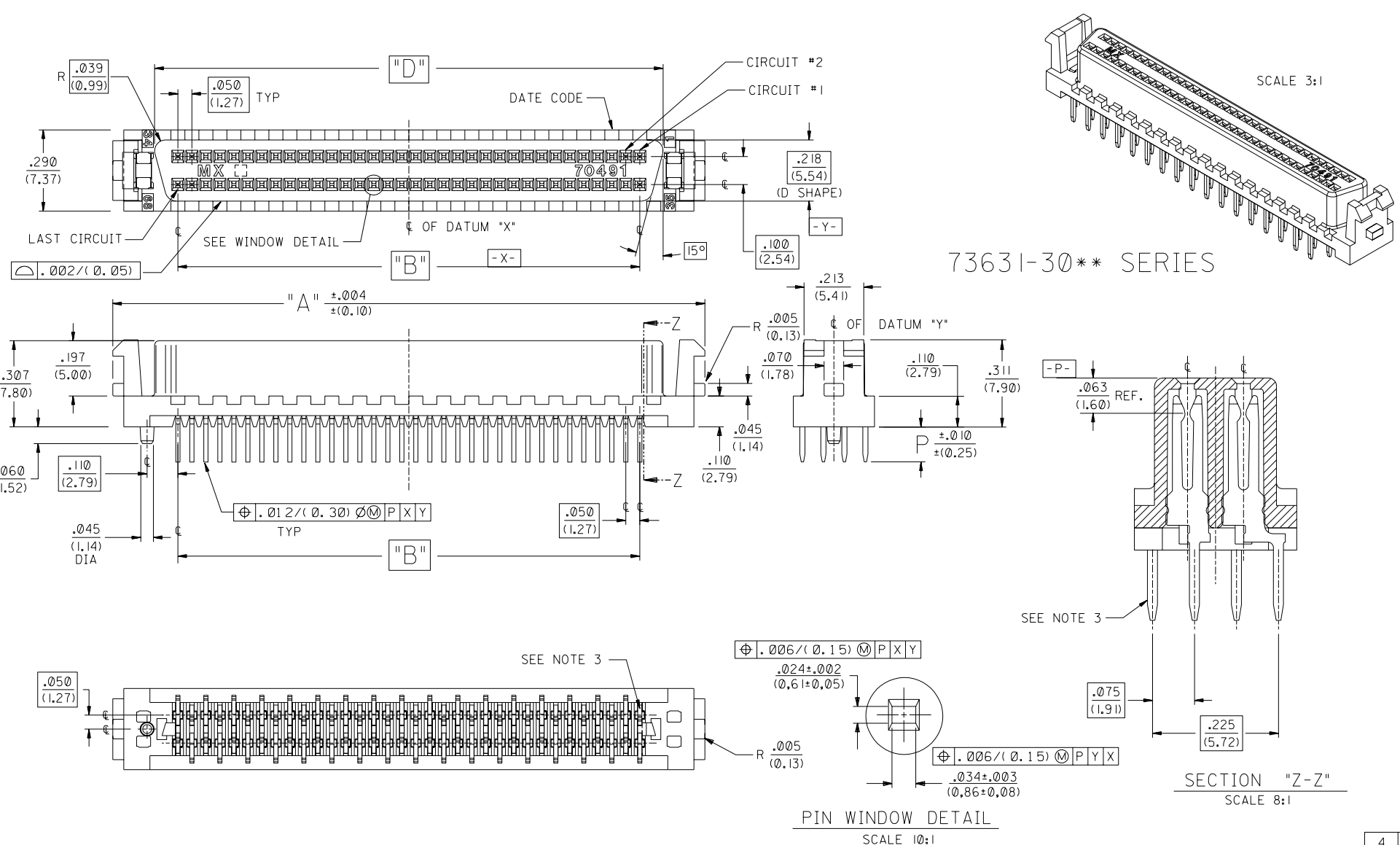
Contact us

Tel: +86-755-8981 8866 Fax: +86-755-8427 6832

Email & Skype: info@chipsmall.com Web: www.chipsmall.com

Address: A1208, Overseas Decoration Building, #122 Zhenhua RD., Futian, Shenzhen, China





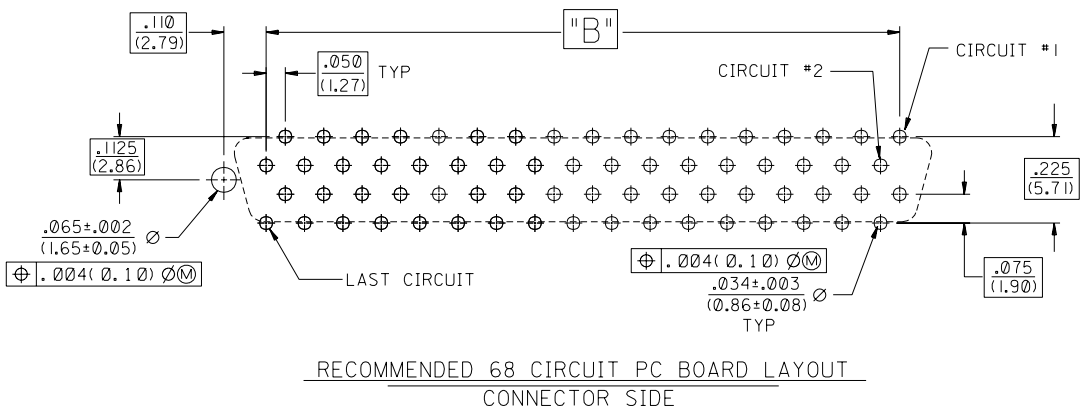
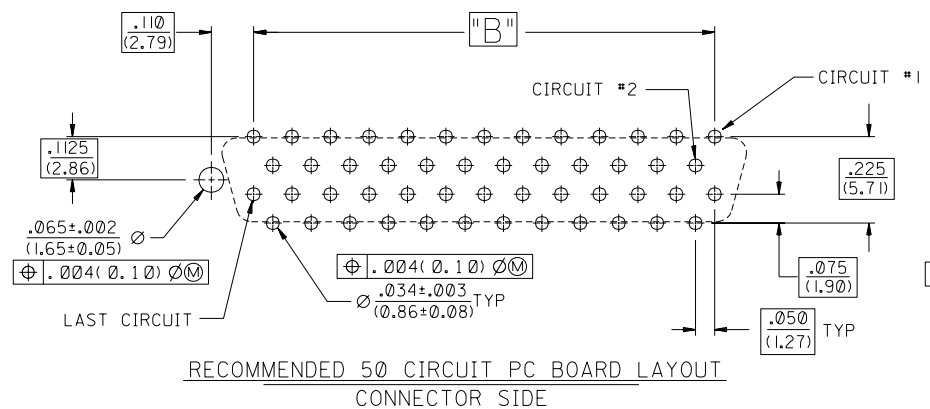
73631-30** SERIES

GENERAL NOTES:

- 68 CIRCUIT SHOWN FOR ILLUSTRATION PURPOSES ONLY.
- SEE SHEET 2 FOR ITEM NO'S, CHARTED DIMENSIONS, PACKAGING, MATERIAL SPEC'S AND P.C. BOARD LAYOUT FOR SERIES 73631-30**.
- TAIL PATTERN FIXED AT CIRCUIT NO. (1) POSITION FOR ALL CIRCUIT SIZES LISTED IN CHARTS FOR ALL SERIES.
- FOR SERIES 73631-31** REFER TO SHEETS 3 AND 4.

ADD LEADFREE NOTE EC NO. UCP2004-1925 DRW:DMORGAN 04/04/05 CHK: BBARKER 04/04/05 APPR:SMILLER 04/04/05	QUALITY SYMBOLS MAJOR = 4 CRITICAL = 0	GENERAL TOLERANCES: (UNLESS SPECIFIED) mm INCH 4 PLACES ±0. ±. 3 PLACES ±0. ±.005 2 PLACES ±0.13 ±. 1 PLACE ±0. ±. ANGULAR: ± 1/2°	SCALE 4 : 1 DESIGN UNITS <input type="checkbox"/> mm <input checked="" type="checkbox"/> INCH DRAWN BY & DATE <i>J. Long</i> 96/11/13 CHECKED BY & DATE <i>J. Long</i> 96/11/14 APPROVED BY & DATE BRINKMAN 96/11/15	DIMENSIONS: <input type="checkbox"/> mm <input checked="" type="checkbox"/> INCH <input type="checkbox"/> mm ONLY THIRD ANGLE PROJECTION TITLE: SALES SCSI ALL-PLASTIC VERTICAL RECEPTACLE ASS'Y W/LATCHES & POLZTN PEG MOLEX INCORPORATED	SHT 4 REV F REVISE ON CAD ONLY	
	CAD FILENAME S7363131.DGN	MATERIAL NO. SEE SH'T 2	DRAWING NO. SD-73631-006	SHEET NO. 1 OF 4		
	DRAFT WHERE APPLICABLE MUST REMAIN WITHIN DIMENSIONS				THIS DRAWING CONTAINS INFORMATION THAT IS PROPRIETARY TO MOLEX INCORPORATED AND SHOULD NOT BE USED WITHOUT WRITTEN PERMISSION.	
					SIZE	C

MATERIAL NO.	CIRCUIT SIZE	DIM. A		DIM. B		DIM. D		DIM. P		RECOMMENDED PCB	
		INCH	MM	INCH	MM	INCH	MM	INCH	MM	INCH	MM
73631-3001	50	1.665	42.29	1.200	30.48	1.366	34.70	.125	3.18	.062 OR .093	1.57 OR 2.36
73631-3002	68	2.115	53.72	1.650	41.91	1.816	46.13	.125	3.18	.062 OR .093	1.57 OR 2.36



NOTES:

1. MATERIAL:
RECEPTACLE HOUSING: GLASS FILLED LIQUID CRYSTAL POLYMER;
COLOR: BLACK; UL 94V-0
TERMINALS: PHOSPHOR BRONZE
2. FINISH:
TERMINALS: SEE LIST BELOW
3. REFER TO PS-79058 PRODUCT SPEC. FOR ELECTRICAL,
MECHANICAL AND ENVIRONMENTAL SPECIFICATIONS.
4. PACKAGING:
PARTS PACKAGED IN TUBES PER PK-70873-0427.

TERMINAL FINISH:

SELECTIVE GOLD: THICKNESS= 30 MICROINCHES/(0.76 MICROMETERS) MINIMUM.
SELECTIVE TIN: THICKNESS= 75 MICROINCHES/(1.90 MICROMETERS) MINIMUM.
NICKEL UNDERPLATE OVERALL.

NOTE FOR LEAD FREE CONVERSION:
THE PRIMARY SHIPPING CARTON WILL BE
LABELED "COMPLIANT TO ROHS DIRECTIVE
2002/95/EC AND ELV ANNEX II OF
DIRECTIVE 2000/53/EC". CARTONS
WITHOUT THIS LABEL MAY CONTAIN
PRODUCT WITH LEAD.

73631-30** SERIES

ADD LEADFREE NOTE EC No. LUCP2004-1925 DRAWN: DMORGAN 04/04/05 CHK: BBARKER 04/04/05 APPR: SWILLER 04/04/05	QUALITY SYMBOLS MAJOR MINOR CRITICAL	GENERAL TOLERANCES: (UNLESS SPECIFIED)		SCALE 4:1	DESIGN UNITS <input type="checkbox"/> mm <input checked="" type="checkbox"/> INCH	DIMENSIONS: <input type="checkbox"/> mm <input checked="" type="checkbox"/> INCH <input type="checkbox"/> mm ONLY	SHT	REV		
		4 PLACES ±0.	±.	DRAWN BY & DATE <i>J. Long</i> 96/11/13		THIRD ANGLE PROJECTION			TITLE: SALES SCSI ALL-PLASTIC VERTICAL RECEPTACLE ASS'Y W/LATCHES & POLZTN PEG	
		3 PLACES ±0.	±.005	CHECKED BY & DATE <i>J. Long</i> 96/11/14		APPROVED BY & DATE BRINKMAN 96/11/15			MATERIAL NO. SEE CHART	
		2 PLACES ±0.13	±.	APPROVED BY & DATE BRINKMAN 96/11/15		MATERIAL NO. SEE CHART			DRAWING NO. SD-73631-006	
1 PLACE ±0.	±.	ANGULAR: ± 1/2°		CAD FILENAME S7363132.DGN		MATERIAL NO. SEE CHART		DRAWING NO. SD-73631-006		
REV	DESCRIPTION	DRAFT WHERE APPLICABLE MUST REMAIN WITHIN DIMENSIONS		THIS DRAWING CONTAINS INFORMATION THAT IS PROPRIETARY TO MOLEX INCORPORATED AND SHOULD NOT BE USED WITHOUT WRITTEN PERMISSION.		SHEET NO. 2		SIZE C		