



Chipsmall Limited consists of a professional team with an average of over 10 year of expertise in the distribution of electronic components. Based in Hongkong, we have already established firm and mutual-benefit business relationships with customers from,Europe,America and south Asia,supplying obsolete and hard-to-find components to meet their specific needs.

With the principle of “Quality Parts,Customers Priority,Honest Operation,and Considerate Service”,our business mainly focus on the distribution of electronic components. Line cards we deal with include Microchip,ALPS,ROHM,Xilinx,Pulse,ON,Everlight and Freescale. Main products comprise IC,Modules,Potentiometer,IC Socket,Relay,Connector.Our parts cover such applications as commercial,industrial, and automotives areas.

We are looking forward to setting up business relationship with you and hope to provide you with the best service and solution. Let us make a better world for our industry!



Contact us

Tel: +86-755-8981 8866 Fax: +86-755-8427 6832

Email & Skype: info@chipsmall.com Web: www.chipsmall.com

Address: A1208, Overseas Decoration Building, #122 Zhenhua RD., Futian, Shenzhen, China



PART NUMBER	LEAD FREE VERSION	FLEX P/N	LI	FLEX PITCH
7364L2622F04	7364L2622F04LF	P06683B	100	1.25
7364L2622F14	7364L2622F14LF	P08153M	100	1
7364L2622F15	7364L2622F15LF	P08197D	80	1.25

GENERAL:
This smart card reader uses a sliding contact technology
It has been designed for connection by flex-foil

ELECTRICAL PROPERTIES

Insulation resistance : 5000 M Ω
 Dielectric withstanding : 750 VAC
 Current carrying capacity : 10 μ A min. 1A max.
 Contact resistance : 100 m Ω (flex foil not included)
 Card sensor type : Blade switch normally closed

MECHANICAL PROPERTIES

EMV compatible and according to ISO 7816-2
 Contact normal force : between 0.2 N to 0.6 N per contact
 Insertion force : 10 N max.
 Withdrawal force : 1 N min.
 Max. number of mating operations : 10000 card insertions.

READER MATERIAL

Housing : Thermoplastique, 30% GF, Colour black, Rated UL94V0
 Contacts and switch : Phosphor bronze
 Plating : precoat Nickel 2.5 μ m min. all over
 Gold 0.4 μ m min. on contacts areas
 SnPB 3 μ m on termination contacts
 matte tin on termination contacts(for lead free version)

FLEX : See drawing: VJW55112; VJW54446; pitch 1.25 mm)
 VJW55076; pitch 1 mm

ENVIRONMENT

Operating temperature : -20 $^{\circ}$ C / +70 $^{\circ}$ C
 Storage temperature : -40 $^{\circ}$ C / +85 $^{\circ}$ C

PACKAGING

Trays
 Packaging specification : VGN 11619/A

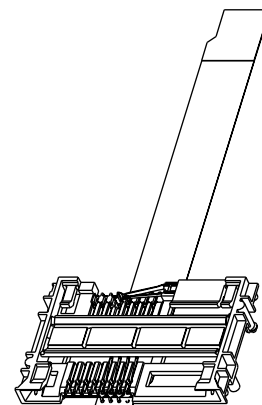
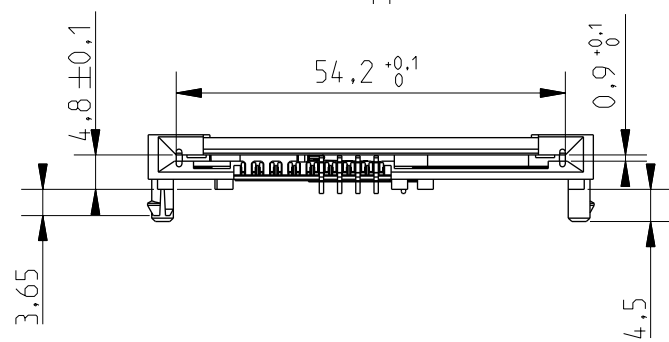
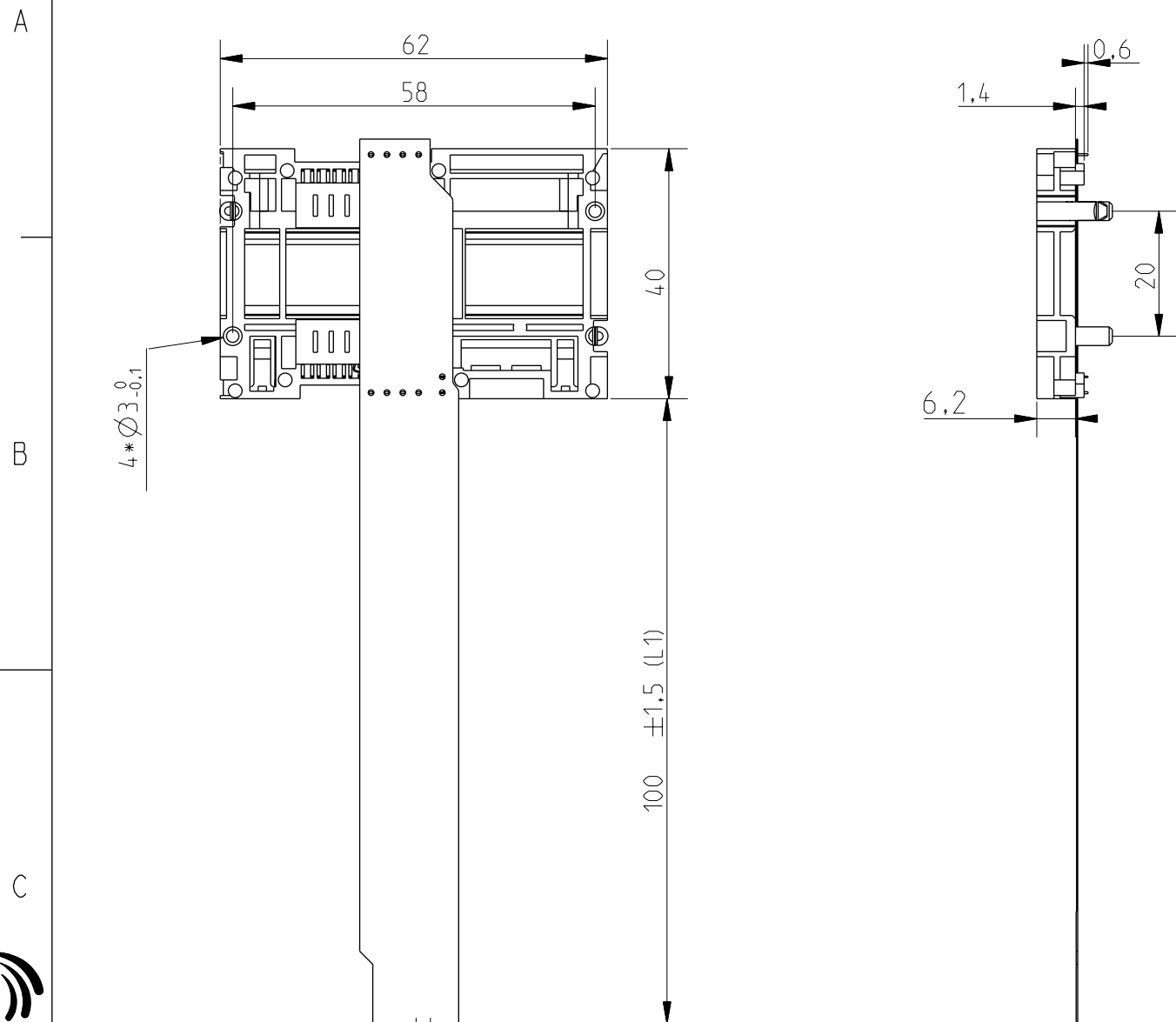
APPLICABLE DOCUMENT

Product specification : VGN11668/A

LEAD FREE VERSION:

"This product meets European Union Directives and other country regulations as described in GS-22-008"

General tolerances: \pm 0.1mm Angle: \pm 5 $^{\circ}$



SCALE 1:2

rev	ecn no	dr	date
1	-	-	2000/09/06
2	-	-	2001/11/07
A	F20307	DLE	2002/04/30
B	LS3026	JTA	2003/03/03
C	105-0181	NT	2005/12/25
D	106-0084	SSC	2006/06/21
E	107-0127	SSC	2007/09/26

www.fciconnect.com		surface - <input checked="" type="checkbox"/> ISO 1302	tolerance std ISO 406 ISO 1101	projection	mm
TOLERANCES UNLESS OTHERWISE SPECIFIED					
Dr	N.TWENCY	2005/12/25	ANGULAR	0.X	\pm
Eng	N.TWENCY	2005/12/25	LINEAR	0.XX	\pm
Chr	S.VARMA	2007/09/26	0 $^{\circ}$ \pm	0.XXX	\pm
Appr	K.V.SIVADAS	2007/09/26	Product family	-	Spec ref
FCI logo			L26 Connector		Rev. E
VXX 27943			dwg no	VJW54927	
catalog no			See Table	CUSTOMER	sheet 1 of 1



Copyright FCI.