



Chipsmall Limited consists of a professional team with an average of over 10 year of expertise in the distribution of electronic components. Based in Hongkong, we have already established firm and mutual-benefit business relationships with customers from,Europe,America and south Asia,supplying obsolete and hard-to-find components to meet their specific needs.

With the principle of “Quality Parts,Customers Priority,Honest Operation,and Considerate Service”,our business mainly focus on the distribution of electronic components. Line cards we deal with include Microchip,ALPS,ROHM,Xilinx,Pulse,ON,Everlight and Freescale. Main products comprise IC,Modules,Potentiometer,IC Socket,Relay,Connector.Our parts cover such applications as commercial,industrial, and automotives areas.

We are looking forward to setting up business relationship with you and hope to provide you with the best service and solution. Let us make a better world for our industry!



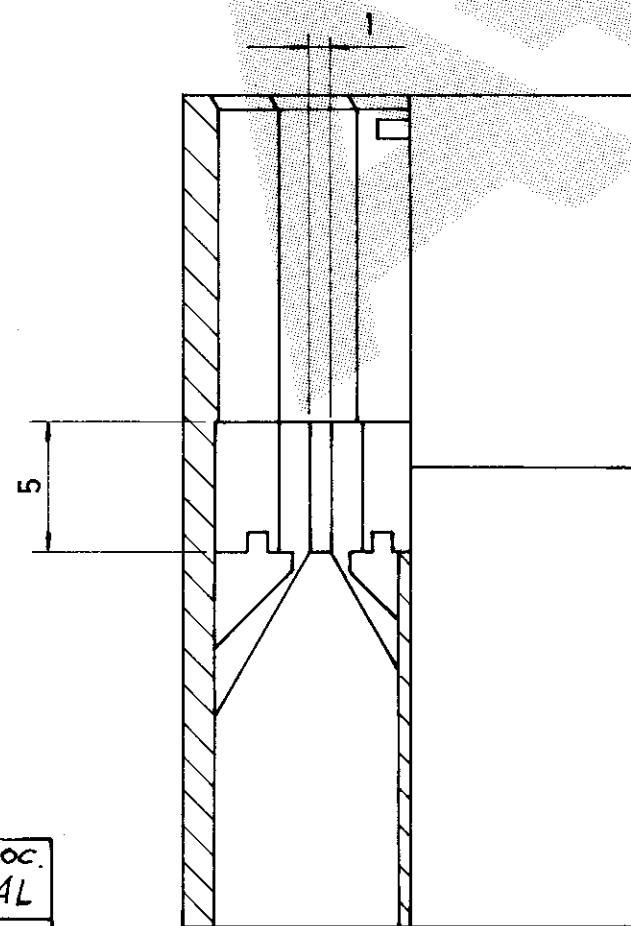
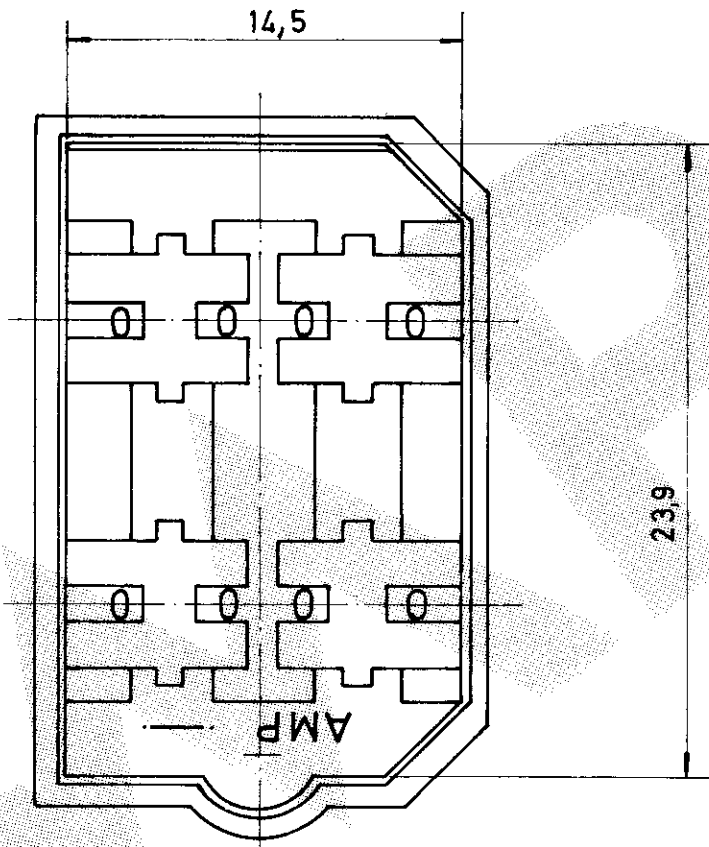
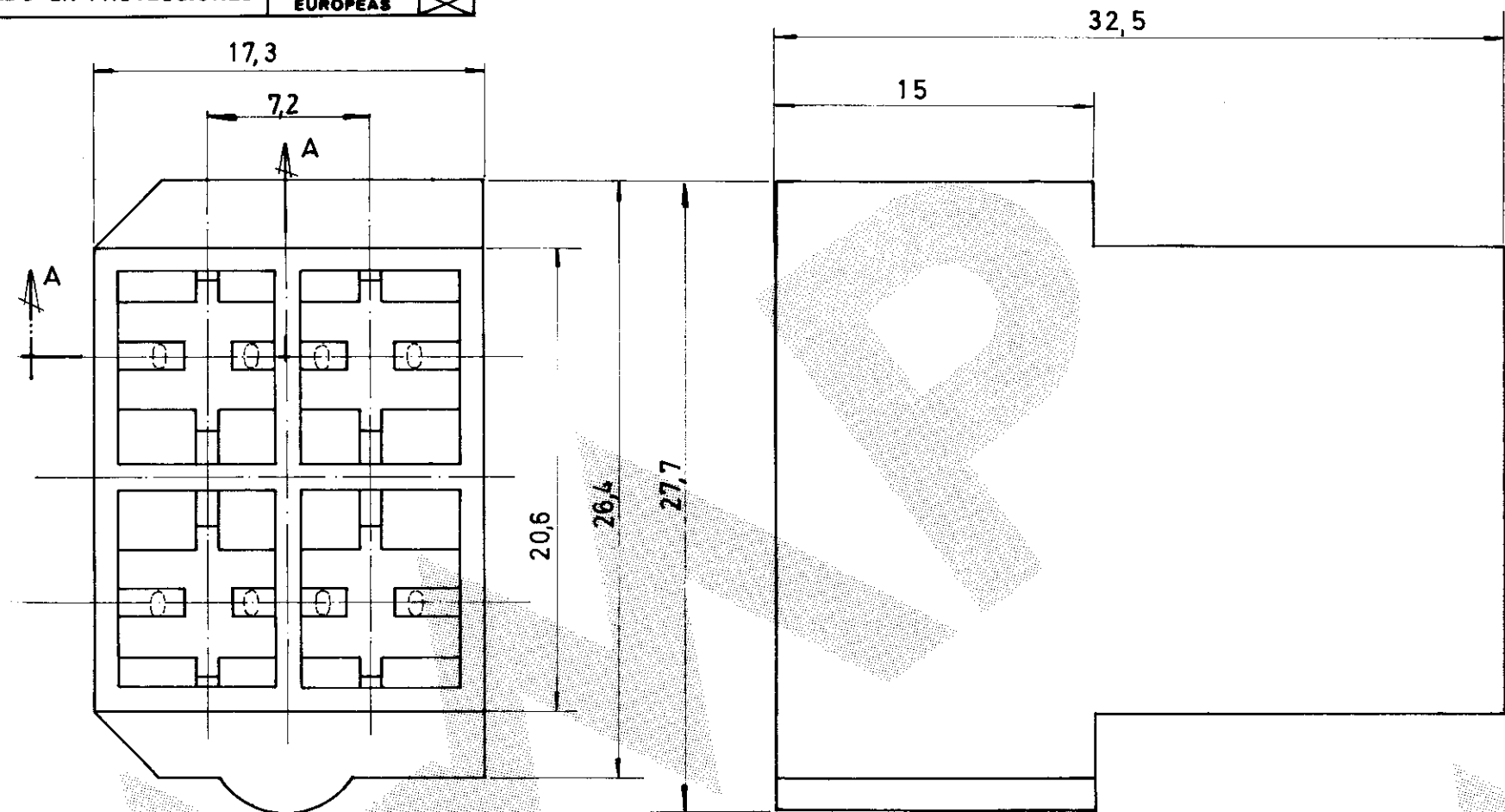
Contact us

Tel: +86-755-8981 8866 Fax: +86-755-8427 6832

Email & Skype: info@chipsmall.com Web: www.chipsmall.com

Address: A1208, Overseas Decoration Building, #122 Zhenhua RD., Futian, Shenzhen, China






- 1 REF. IGUAL A 737021-0 EXCEPTO EMBALAJE MERCADO LOCAL. _ 2 BOLSAS CON 800 PIEZAS EN CAJA CARTON 1600 PIEZAS
- 2 OBSOLETE PARTS: OBSOLETE CIS STREAMLINING PER D.RENAUD/D.SINISI

1	2	OBSOLETE	NATURAL	NYLON 6/6	3-737021-0
2	2	OBSOLETE	NEGRO	" "	737021-5
			AMARILLO	" "	737021-4
			AZUL	" "	737021-3
			VERDE	" "	737021-2
			ROJO	" "	737021-1
			NATURAL	" "	737021-0
			COLOR	MATERIAL	Nº DE ORDEN

DIMENSIONES EN M. M.

LOC.
AL
DIST.
2

SEC. A-A

NUMERO 737021	PLANO DE CLIENTE SOLO PARA REFERENCIA			
	DIB. <i>J. Lacasa</i> 4-3-82 COMP. <i>J. Lozano</i> 10-3-82 DE. <i>L. Batlló</i> 6.5.93 APR.	FECHA FECHA FECHA	©1982 POR AMP - ESPAÑOLA S. A. TODOS LOS DERECHOS RESERVADOS LOS PRODUCTOS AMP ESTAN CUBIERTOS POR PATENTES ACTUALES O PENDIENTES	 AMP - ESPAÑOLA S. A. BARCELONA ESPAÑA
	GAMA HILO ESCALA NOMBRE 4 WAY FASTIN-ON TAB HOUSING	GAMA AISLANTE LOC AL B	PRIMER USO N.º 737021	REV A1