



Chipsmall Limited consists of a professional team with an average of over 10 year of expertise in the distribution of electronic components. Based in Hongkong, we have already established firm and mutual-benefit business relationships with customers from,Europe,America and south Asia,supplying obsolete and hard-to-find components to meet their specific needs.

With the principle of "Quality Parts,Customers Priority,Honest Operation,and Considerate Service",our business mainly focus on the distribution of electronic components. Line cards we deal with include Microchip,ALPS,ROHM,Xilinx,Pulse,ON,Everlight and Freescale. Main products comprise IC,Modules,Potentiometer,IC Socket,Relay,Connector.Our parts cover such applications as commercial,industrial, and automotives areas.

We are looking forward to setting up business relationship with you and hope to provide you with the best service and solution. Let us make a better world for our industry!



Contact us

Tel: +86-755-8981 8866 Fax: +86-755-8427 6832

Email & Skype: info@chipsmall.com Web: www.chipsmall.com

Address: A1208, Overseas Decoration Building, #122 Zhenhua RD., Futian, Shenzhen, China



DESCRIPTION : ABOVE PCB, DECK AND PUSH ROD LOCATION ARE AS VIEW BY USER.

PRODUCT NO.	PUSH ROD LOCATION	STAND-OFF HEIGHT	MATING RECEPTACLE ⓑ	P.C.B SIDE	RECOMMENDED P.C.B LAYOUT	MOUNT STYLE TO PCB AND PUSH ROD SIDE
Ⓐ 73704-****						
000CA/000CALF	RIGHT	0.0	100 POSITIONS (2x50) 0.8mm RECEPTACLE PART NO. 73277-101000 73277-101000LF	ABOVE	SEE DRAWING NO.: TA-1050	
020CA/020CALF	RIGHT	2.0				
022CA/022CALF	RIGHT	2.2				
040CA/040CALF	RIGHT	4.0				
043CA/043CALF	RIGHT	4.3				
050CA/050CALF	RIGHT	5.0				
100CA/100CALF	LEFT	0.0				
120CA/120CALF	LEFT	2.0				
122CA/122CALF	LEFT	2.2				
140CA/140CALF	LEFT	4.0				
143CA/143CALF	LEFT	4.3	100 POSITIONS (2x50) 0.8mm RECEPTACLE PART NO. 73277-101000 73277-101000LF	BELOW	SEE DRAWING NO.: TA-1050	
150CA/150CALF	LEFT	5.0				
522CA/522CALF	RIGHT	2.2				
540CA/540CALF	RIGHT	4.0				
543CA/540CALF	RIGHT	4.3				
550CA/550CALF	RIGHT	5.0				
622CA/622CALF	LEFT	2.2				
640CA/640CALF	LEFT	4.0				
643CA/643CALF	LEFT	4.3				
650CA/650CALF	LEFT	5.0				

ORDERING INFORMATION

THREADED INSERT ASSEMBLED BY BERG			
NAME	PART NO.		Q'TY
Ⓐ EJECT HEADER ASS'Y	73704-****	73704-****LF	1
ⓑ MATING RECEPTACLE	73277-101000	73277-101000LF	1

mat'l. code	surface ISO1302 ✓	tolerance ISO1101 ISO406	projection 	product family PCMCIA
ltr ecn nodr	date	tolerances unless otherwise specified	MM	title CARDBUS EJ HEADER SMT, TYPE 1/2/3
G T20327 WL	11/13/02	±0.30	scale 1:1	dwg no 73704
H N05-0088 WB	03/24/05			sheet 1 of 11 A4
J BX-N-011414 ZK	04/02/12	0±2'		type Product Customer Drawing
		dr WENDY CHEN	05/09/97	
		enr JOSEPH HSIA	05/09/97	
		chr JOSEPH HSIA	05/09/97	
		app JENN TSAO	05/09/97	
sheet index	revision	J J J J J J J J J J	J J J J J J J J J J	
	sheet	1 2 3 4 5 6 7 8 9 10 11		

DESCRIPTION : ABOVE PCB, DECK AND PUSH ROD LOCATION ARE AS VIEW BY USER.

PRODUCT NO.	PUSH ROD LOCATION	STAND-OFF HEIGHT	MATING RECEPTACLE ⓑ	P.C.B SIDE	RECOMMENDED P.C.B LAYOUT	MOUNT STYLE TO PCB AND PUSH ROD SIDE
Ⓐ 73704-*****						
000CAS/000CASLF	RIGHT	0.0	100 POSITIONS (2x50) 0.8mm RECEPTACLE PART NO. 73277-101000 73277-101000LF	ABOVE	SEE DRAWING NO.: TA-1050	
020CAS/020CASLF	RIGHT	2.0				
022CAS/022CASLF	RIGHT	2.2				
040CAS/040CASLF	RIGHT	4.0				
043CAS/043CASLF	RIGHT	4.3				
050CAS/050CASLF	RIGHT	5.0				
100CAS/100CASLF	LEFT	0.0				
120CAS/120CASLF	LEFT	2.0				
122CAS/122CASLF	LEFT	2.2				
140CAS/140CASLF	LEFT	4.0				
143CAS/143CASLF	LEFT	4.3				
150CAS/150CASLF	LEFT	5.0				
522CAS/522CASLF	RIGHT	2.2	100 POSITIONS (2x50) 0.8mm RECEPTACLE PART NO. 73277-101000 73277-101000LF	BELOW	SEE DRAWING NO.: TA-1050	
540CAS/540CASLF	RIGHT	4.0				
543CAS/543CASLF	RIGHT	4.3				
550CAS/550CASLF	RIGHT	5.0				
622CAS/622CASLF	LEFT	2.2				
640CAS/640CASLF	LEFT	4.0				
643CAS/643CASLF	LEFT	4.3				
650CAS/650CASLF	LEFT	5.0				

ORDERING INFORMATION

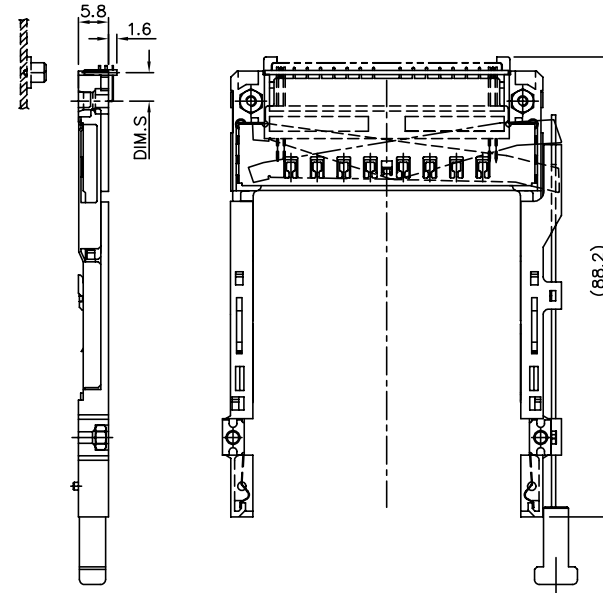
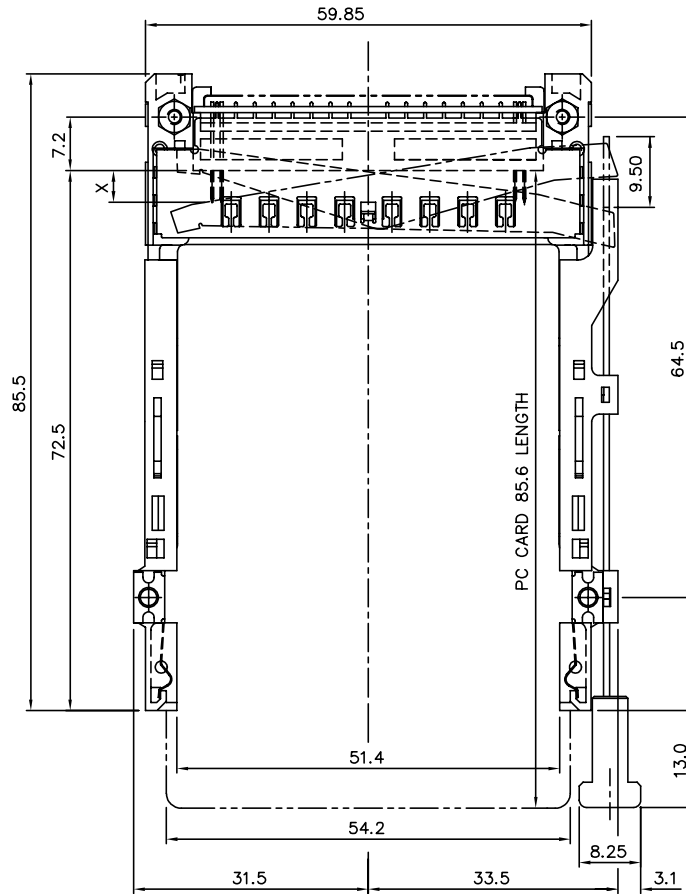
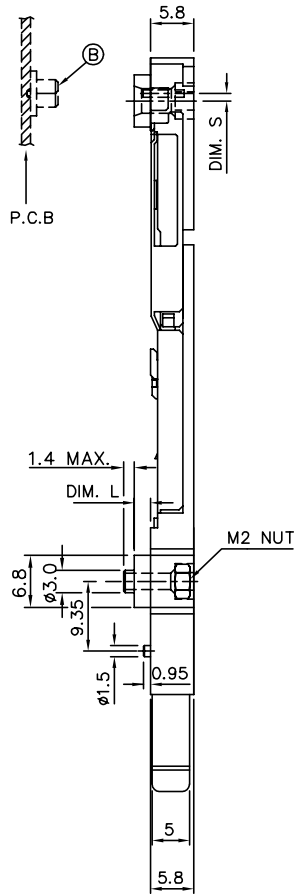
THREADED INSERT ASSEMBLED BY BERG			
NAME	PART NO.		Q'TY
Ⓐ EJECT HEADER ASS'Y	73704-*****	73704-*****LF	1
ⓑ MATING RECEPTACLE	73277-101000	73277-101000LF	1

mat'l. code	surface ISO1302 ✓	tolerance ISO1101 ISO406	projection 	product family PCMCIA
ltr ecn nodr	date	tolerances unless otherwise specified	scale 1:1	title CARDBUS EJ HEADER SMT, TYPE 1/2/3
J		angle 0°±2'	MM	dwg no 73704
		±0.30	scale 1:1	sheet 2 of 11
	dr WENDY CHEN	05/09/97		size A4
	engr JOSEPH HSIA	05/09/97		type Product Customer Drawing
	chr JOSEPH HSIA	05/09/97		
	appd JENN TSAO	05/09/97		
sheet index	revision sheet			

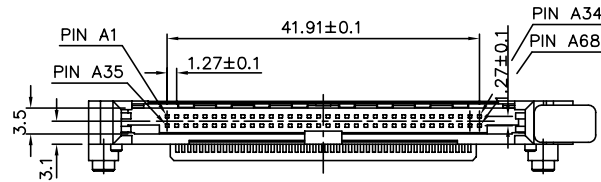
PRODUCT NO.
SEE TABLE A

TABLE A

Ⓐ PRODUCT NO.	STAND-OFF(DIM. L)	DIM. S
73704-050CA/050CALF	5.0 mm	-0.3
-043CA/043CALF	4.3 mm	-0.3
-040CA/040CALF	4.0 mm	-0.3
-022CA/022CALF	2.2 mm	1.0
-020CA/020CALF	2.0 mm	1.0
-000CA/000CALF	NONE	5.5



P/N : 73704-000CA/000CALF
(ABOVE P.C.B/LAYOUT SEE TA-1050)



P/N : 73704-0**CA/0**CALF
(ABOVE P.C.B/LAYOUT SEE TA-1050)

mat'l. code	surface ISO1302	tolerance ISO1101 ISO406	projection MM	product family PCMCIA
ltr ecn nodr date	tolerances unless otherwise specified		scale: 1:1	title CARDBUS EJ HEADER SMT, TYPE 1/2/3
J	angle 0°±2'	±0.30	FCI	dwg no 73704
	dr WENDY CHEN 05/09/97	eng JOSEPH HSIA 05/09/97		sheet 3 of 11 size A4
	chr JOSEPH HSIA 05/09/97	appd JENN TSAO 05/09/97		type Product Customer Drawing
sheet index	revision sheet			

PRODUCT NO.
SEE TABLE A

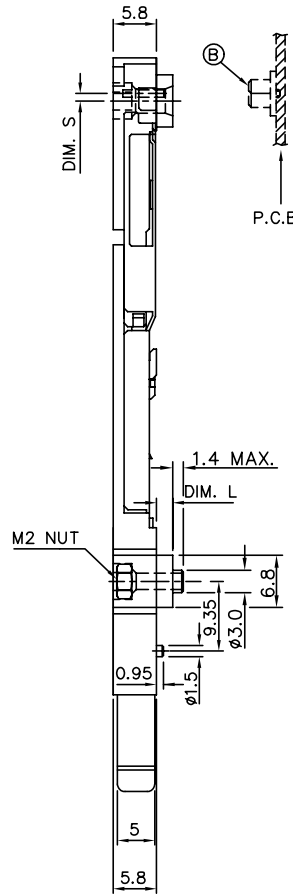
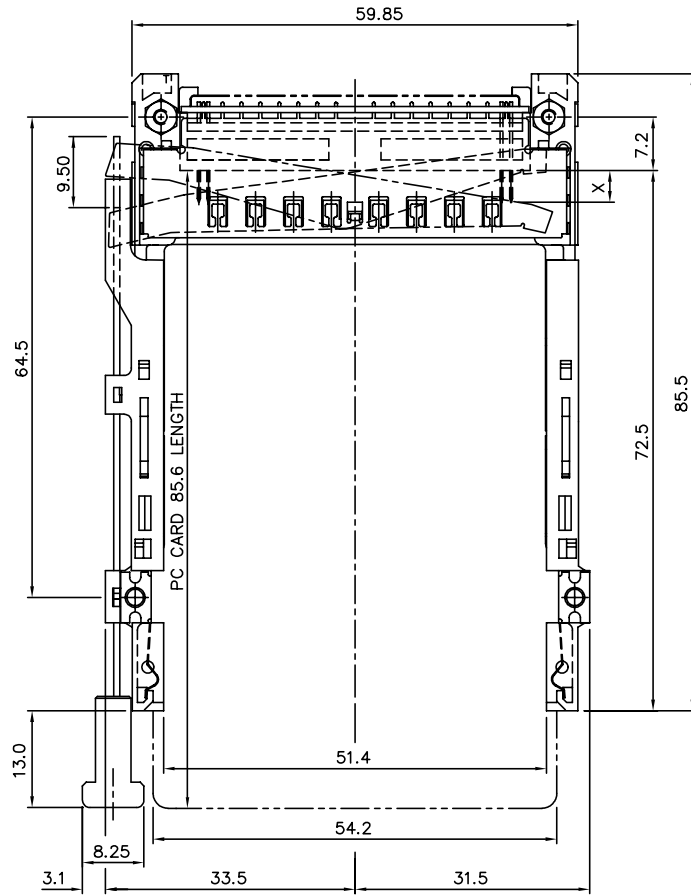
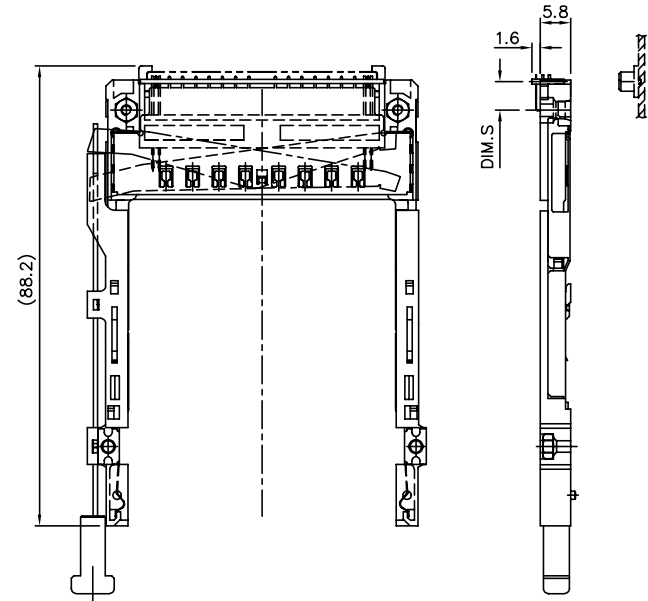
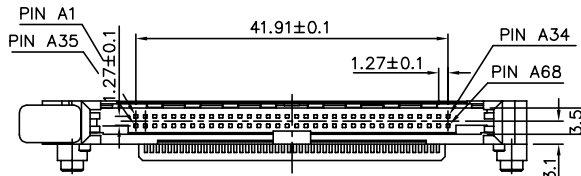


TABLE A

① PRODUCT NO.	STAND-OFF(DIM. L)	DIM. S
73704-150CA/150CALF	5.0 mm	-0.3
-143CA/143CALF	4.3 mm	-0.3
-140CA/140CALF	4.0 mm	-0.3
-122CA/122CALF	2.2 mm	1.0
-120CA/120CALF	2.0 mm	1.0
-100CA/100CALF	NONE	5.5



P/N : 73704-100CA/100CALF
(ABOVE P.C.B/LAYOUT SEE TA-1050)



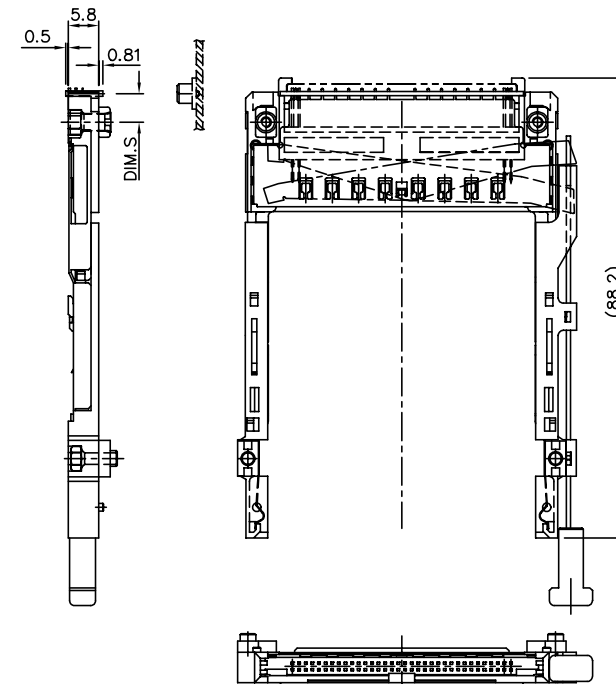
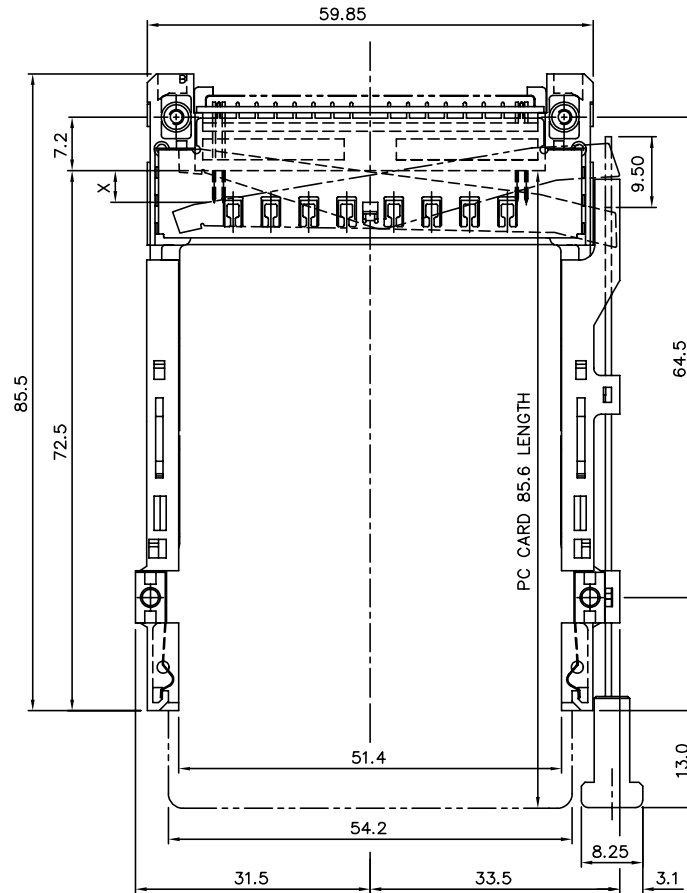
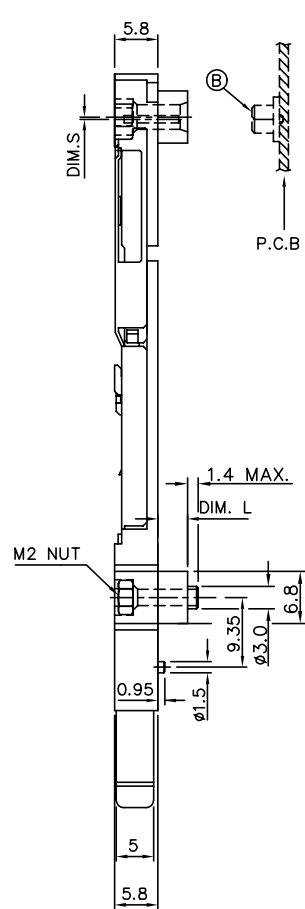
P/N : 73704-1**CA/1**CALF
(ABOVE P.C.B/LAYOUT SEE TA-1050)

mat'l. code	surface ISO1302 ✓	tolerance ISO1101 ISO406	projection MM	product family PCMCIA
ltr ecn nodr date	tolerances unless otherwise specified		scale 1:1	title CARDBUS EJ HEADER SMT, TYPE 1/2/3
J	angle 0°±2'	±0.30	MM	dwg no 73704
	dr WENDY CHEN 05/09/97	engr JOSEPH HSIA 05/09/97	FCI logo	sheet 4 of 11 size A4
	chr JOSEPH HSIA 05/09/97	appd JENN TSAO 05/09/97		type Product Customer Drawing
sheet index	revision sheet			

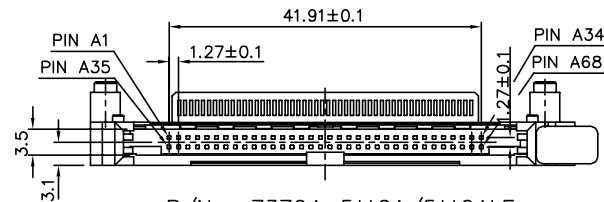
PRODUCT NO.
SEE TABLE A

TABLE A

Ⓐ PRODUCT NO.	STAND-OFF(DIM. L)	DIM. S
73704-550CA/550CALF	5.0 mm	-0.3
-543CA/543CALF	4.3 mm	-0.3
-540CA/540CALF	4.0 mm	-0.3
-522CA/522CALF	2.2 mm	5.5



P/N : 73704-522CA/522CALF
(ABOVE P.C.B./LAYOUT SEE TA-1050)



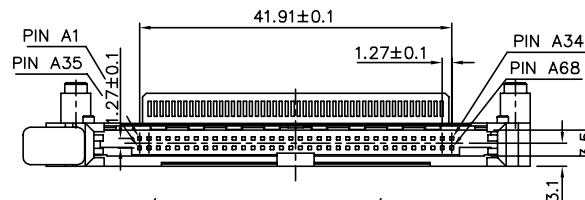
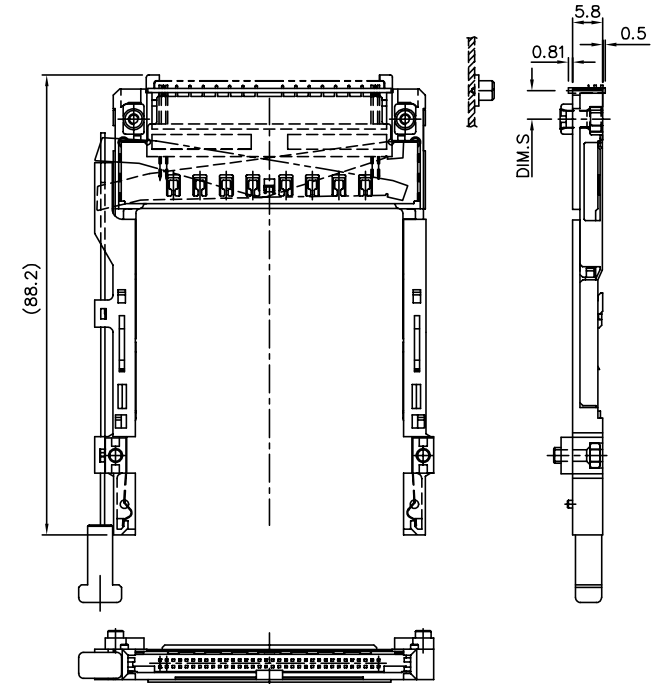
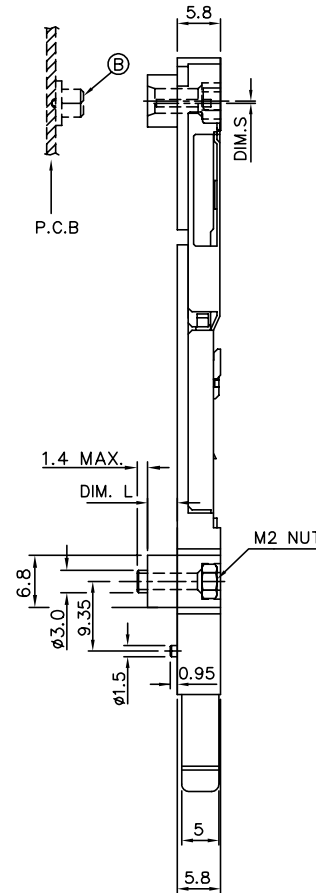
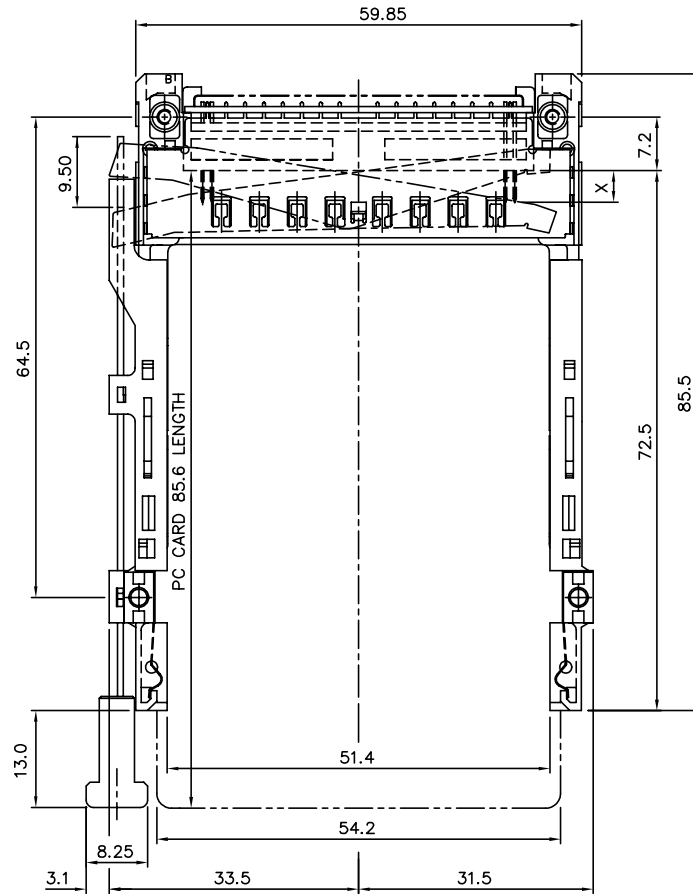
P/N : 73704-5**CA/5**CALF
(ABOVE P.C.B./LAYOUT SEE TA-1050)

mat'l. code	surface ISO1302	tolerance ISO1101 ISO406	projection MM	product family PCMCIA
ltr ecn nodr date	tolerances unless otherwise specified		scale 1:1	title CARDBUS EJ HEADER SMT, TYPE 1/2/3
J	angle 0°±2'	±0.30	MM	dwg no 73704
	dr WENDY CHEN	05/09/97		sheet 5 of 11
	engr JOSEPH HSIA	05/09/97		size A4
	chr JOSEPH HSIA	05/09/97		type Product Customer Drawing
	app'd JENN TSAO	05/09/97		
sheet index	revision sheet			

PRODUCT NO.
SEE TABLE A

TABLE A

① PRODUCT NO.	STAND-OFF(DIM. L)	DIM. S
73704-650CA/650CALF	5.0 mm	-0.3
-643CA/643CALF	4.3 mm	-0.3
-640CA/640CALF	4.0 mm	-0.3
-622CA/622CALF	2.2 mm	5.5



P/N : 73704-6**CA/6**CALF
(ABOVE P.C.B/LAYOUT SEE TA-1050)

P/N : 73704-622CA/622CALF
(ABOVE P.C.B/LAYOUT SEE TA-1050)

mat'l. code	surface ISO1302	tolerance ISO1101 ISO406	projection MM	product family PCMCIA
l'tecn nodr	tolerances unless otherwise specified		scale: 1:1	title CARDBUS EJ HEADER SMT, TYPE 1/2/3
J	angle 0°±2'	±0.30	MM	dwg no 73704
	dr WENDY CHEN	05/09/97		sheet 6 of 11
	engr JOSEPH HSIA	05/09/97		size A4
	chr JOSEPH HSIA	05/09/97		type Product Customer Drawing
	appd JENN TSAO	05/09/97		
sheet index	revision sheet			

PRODUCT NO.
SEE TABLE A

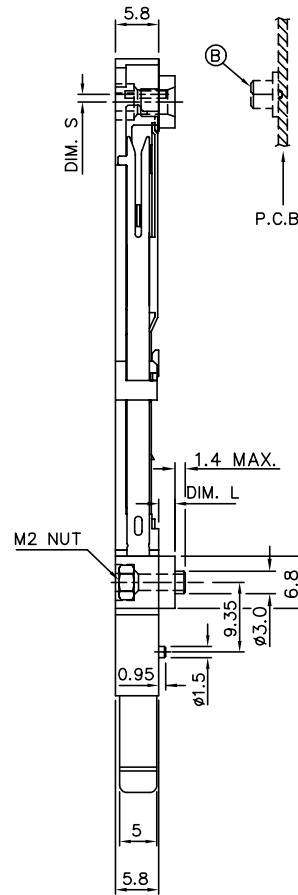
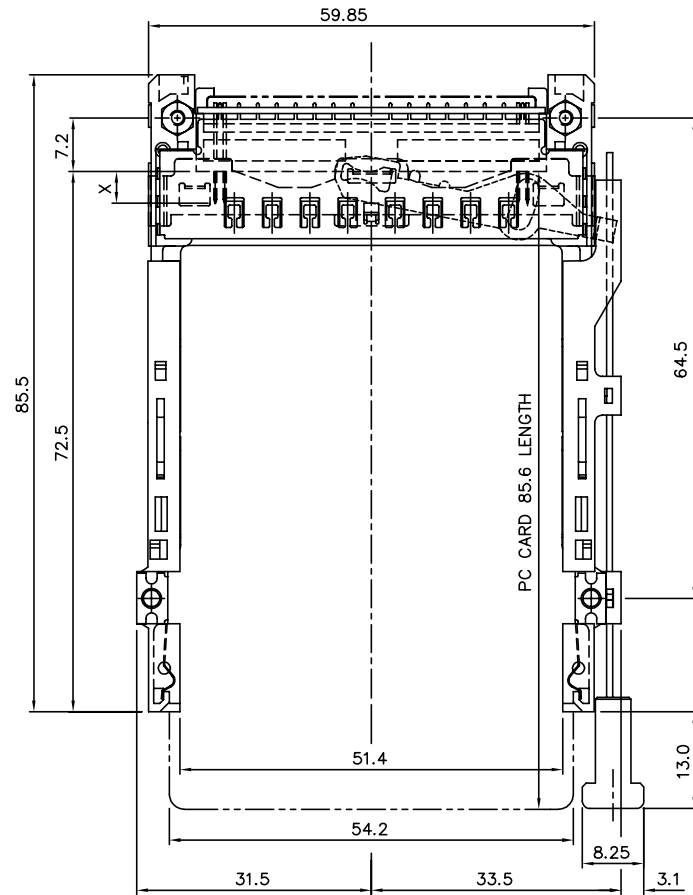
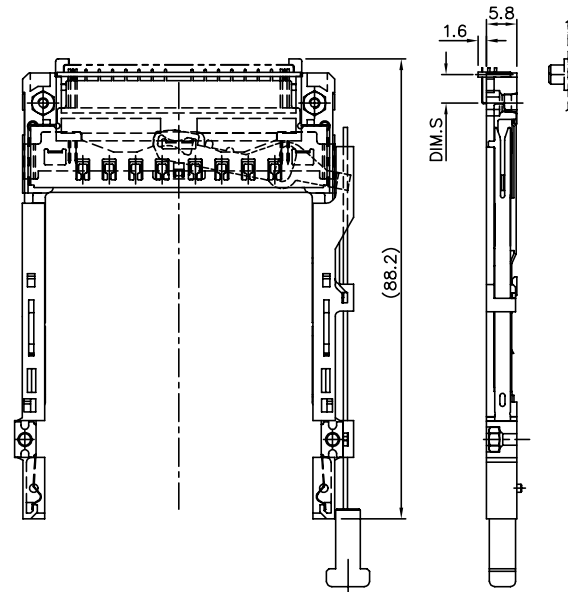
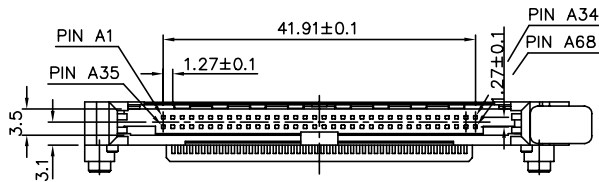


TABLE A

① PRODUCT NO.	STAND-OFF(DIM. L)	DIM. S
73704-050CAS/050CASLF	5.0 mm	-0.3
-043CAS/043CASLF	4.3 mm	-0.3
-040CAS/040CASLF	4.0 mm	-0.3
-022CAS/020CASLF	2.2 mm	1.0
-020CAS/020CASLF	2.0 mm	1.0
-000CAS/000CASLF	NONE	5.5



P/N : 73704-000CAS/000CASLF
(ABOVE P.C.B/LAYOUT SEE TA-1050)



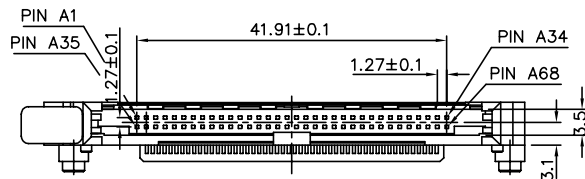
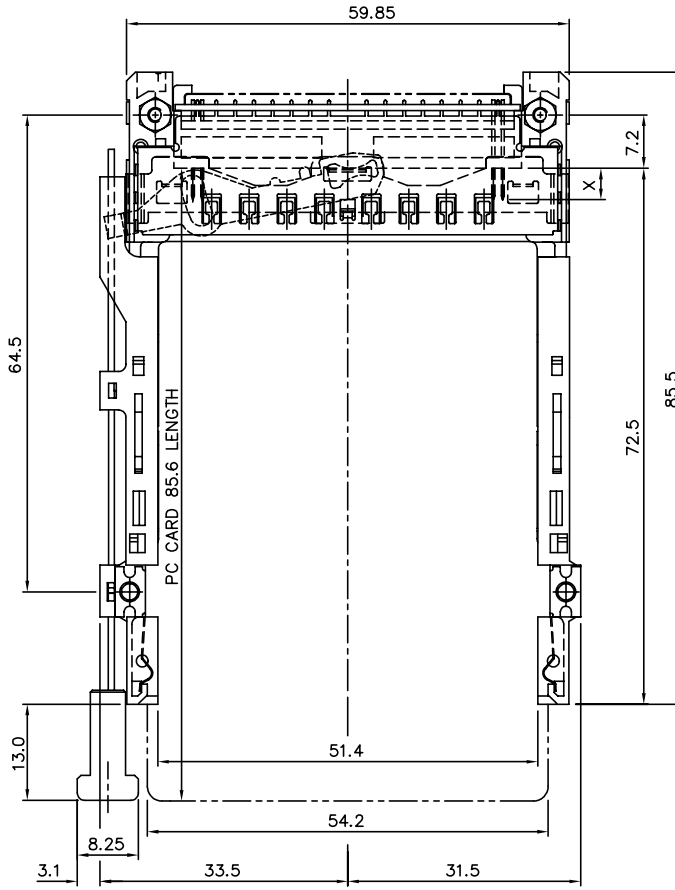
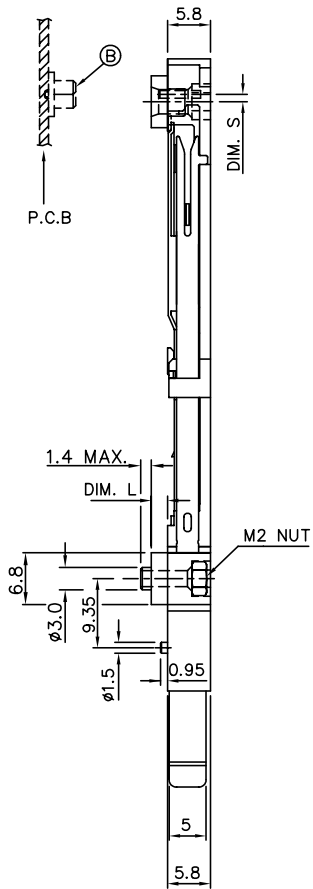
P/N : 73704-0**CAS/0**CASLF
(ABOVE P.C.B/LAYOUT SEE TA-1050)

mat'l. code	surface ISO1302	tolerance ISO1101 ISO406	projection ①	product family PCMCIA
ltr ecn nodr date	tolerances unless otherwise specified		MM	CARDBUS EJ HEADER SMT, TYPE 1/2/3
J	angle 0°±2'	±0.30	scale 1:1	dwg no 73704 sheet 7 of 11 size A4
	dr WENDY CHEN 05/09/97	engr JOSEPH HSIA 05/09/97	FCI	type Product Customer Drawing
	chr JOSEPH HSIA 05/09/97	appd JENN TSAO 05/09/97		
sheet index	revision sheet			

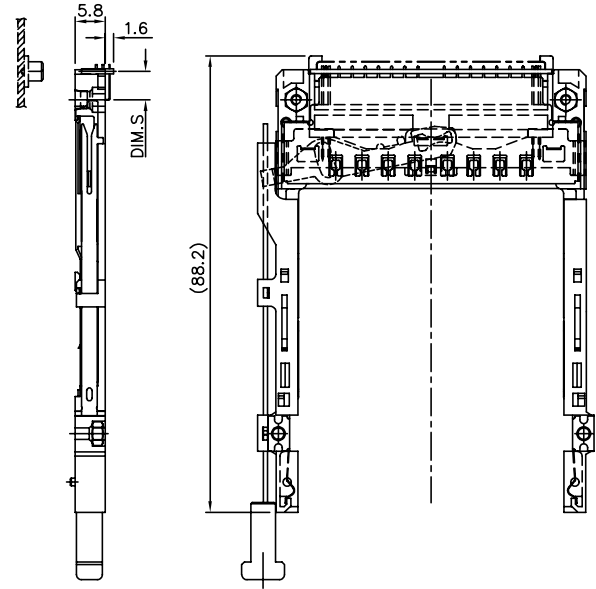
PRODUCT NO.
SEE TABLE A

TABLE A

① PRODUCT NO.	STAND-OFF(DIM. L)	DIM. S
73704-150CAS/150CASLF	5.0 mm	-0.3
-143CAS/143CASLF	4.3 mm	-0.3
-140CAS/140CASLF	4.0 mm	-0.3
-122CAS/122CASLF	2.2 mm	1.0
-120CAS/120CASLF	2.0 mm	1.0
-100CAS/100CASLF	NONE	5.5



P/N : 73704-1**CAS/1**CASLF
(ABOVE P.C.B/LAYOUT SEE TA-1050)



P/N : 73704-100CAS/100CASLF
(ABOVE P.C.B/LAYOUT SEE TA-1050)

mat'l. code	surface ISD1302 ✓	tolerance ISD101 ISD406	projection MM	product family PCMCIA
ltr ecn ndr	date	tolerances unless other	wise specified	title CARDBUS EJ HEADER SMT, TYPE 1/2/3
J		angle 0°±2'	scale 1:1	
	dr WENDY CHEN 05/09/97	±0.30		dwg no 73704 sheet 8 of 11 size A4
	eng JOSEPH HSIA 05/09/97			type Product Customer Drawing
	chr JOSEPH HSIA 05/09/97			
	app JENN TSAO 05/09/97			
sheet index	revision sheet			

PRODUCT NO.
SEE TABLE A

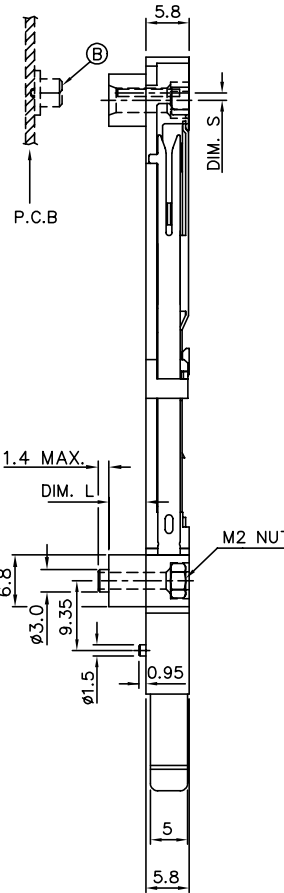
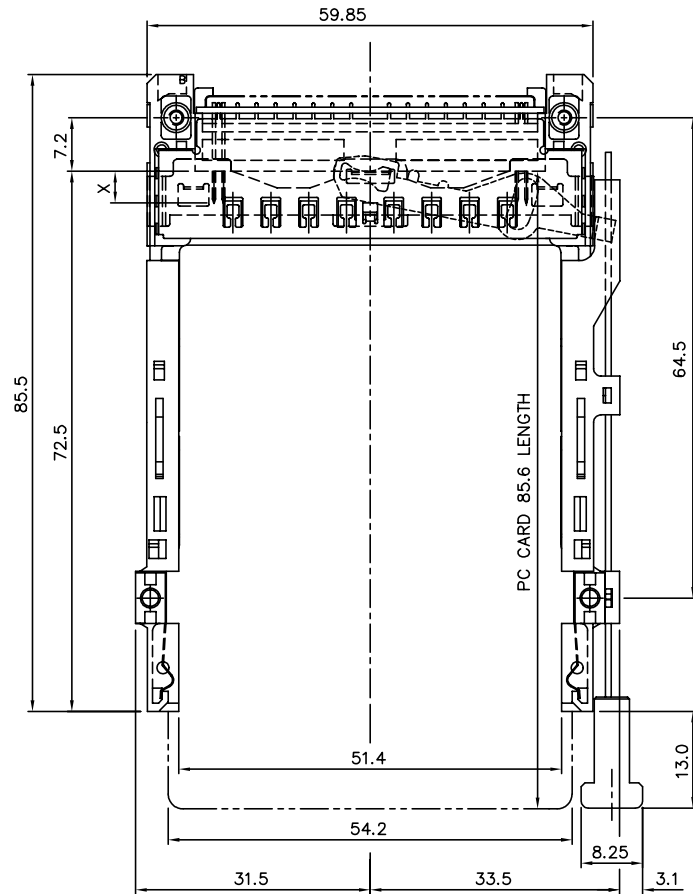
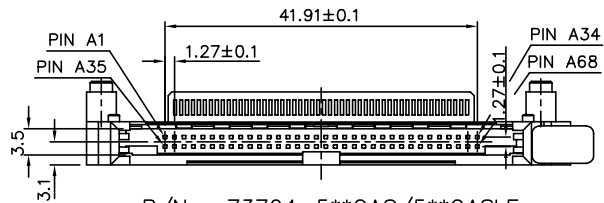
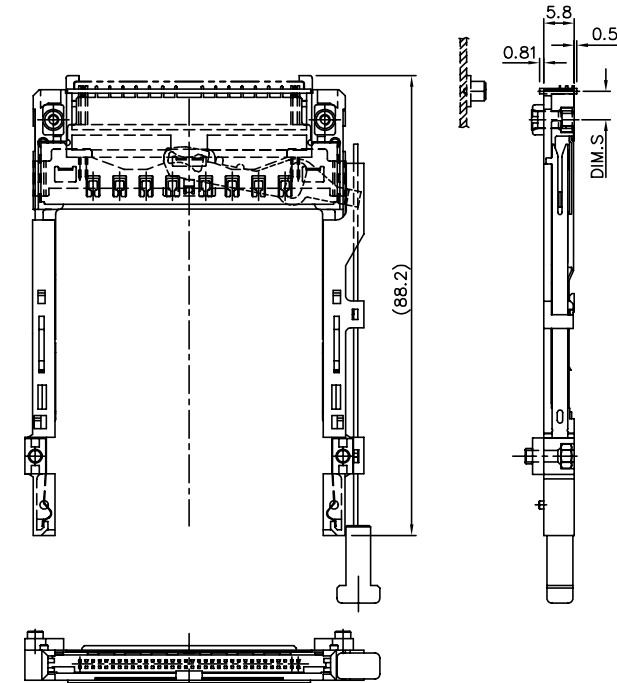


TABLE A

① PRODUCT NO.	STAND-OFF(DIM. L)	DIM. S
73704-550CAS/550CASLF	5.0 mm	-0.3
-543CAS/543CASLF	4.3 mm	-0.3
-540CAS/540CASLF	4.0 mm	-0.3
-522CAS/522CASLF	2.2 mm	5.5



P/N : 73704-5**CAS/5**CASLF
(ABOVE P.C.B/LAYOUT SEE TA-1050)

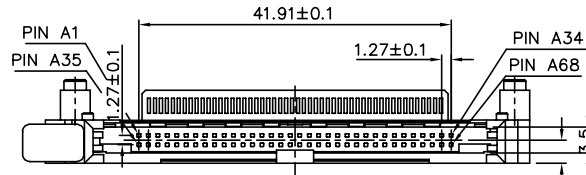
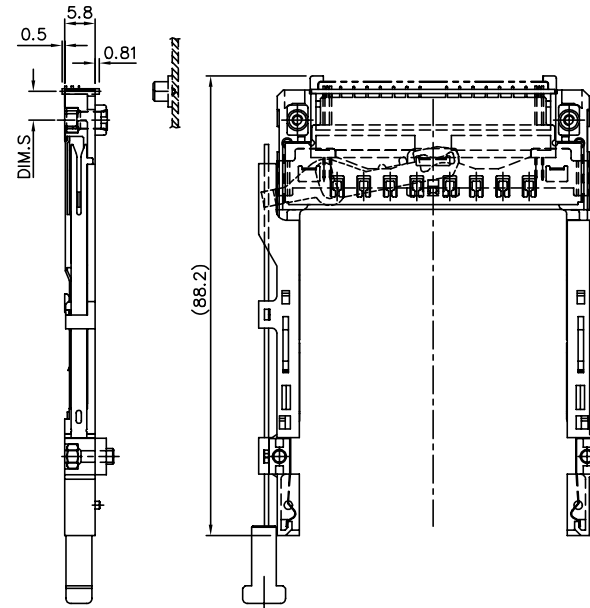
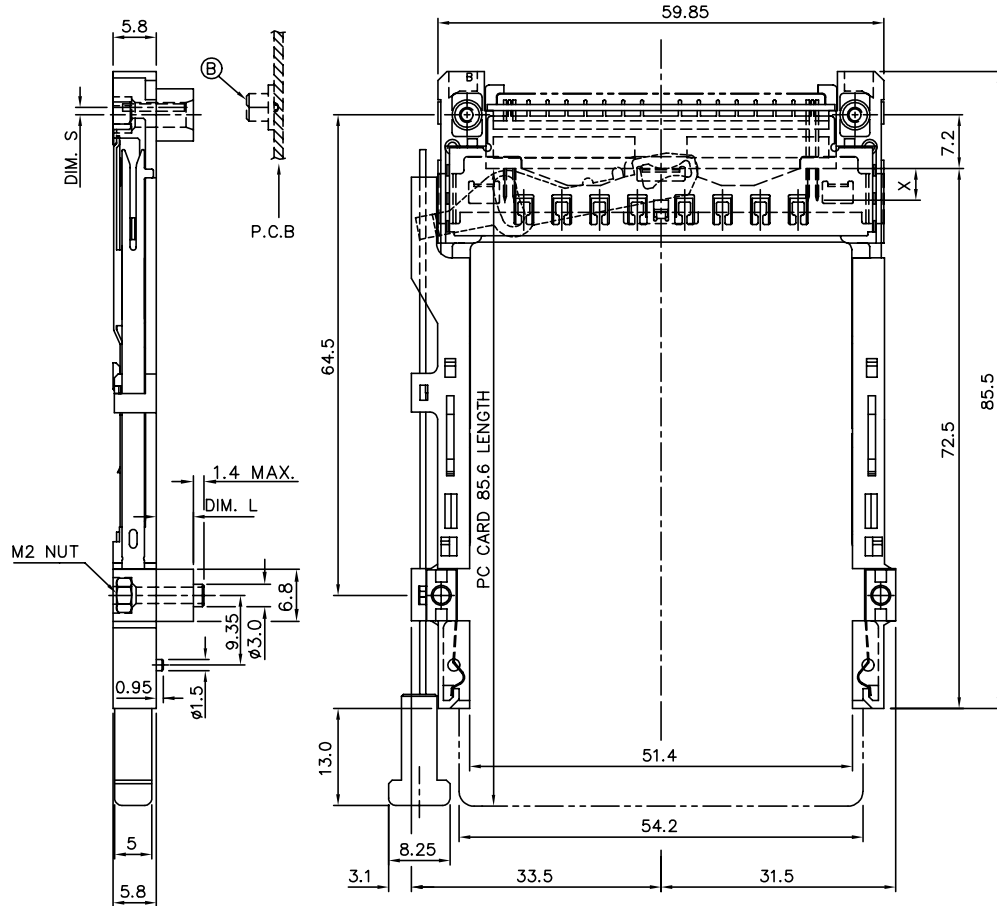
P/N : 73704-522CAS/522CASLF
(ABOVE P.C.B/LAYOUT SEE TA-1050)

mat'l. code	surface ISO1302	tolerance ISO1101 ISO406	projection MM	product family PCMCIA
ltr ecn nodr date	tolerances unless otherwise specified		MM	title CARDBUS EJ HEADER SMT, TYPE 1/2/3
J	angle 0°±2'	±0.30	scale 1:1	dwg no 73704
	dr WENDY CHEN 05/09/97	eng JOSEPH HSIA 05/09/97		sheet 9 of 11 size A4
	chr JOSEPH HSIA 05/09/97	appd JENN TSAO 05/09/97		type Product Customer Drawing
sheet index	revision sheet			

PRODUCT NO.
SEE TABLE A

TABLE A

① PRODUCT NO.	STAND-OFF(DIM. L)	DIM. S
73704-650CAS/650CASLF	5.0 mm	-0.3
-643CAS/643CASLF	4.3 mm	-0.3
-640CAS/640CASLF	4.0 mm	-0.3
-622CAS/622CASLF	2.2 mm	5.5



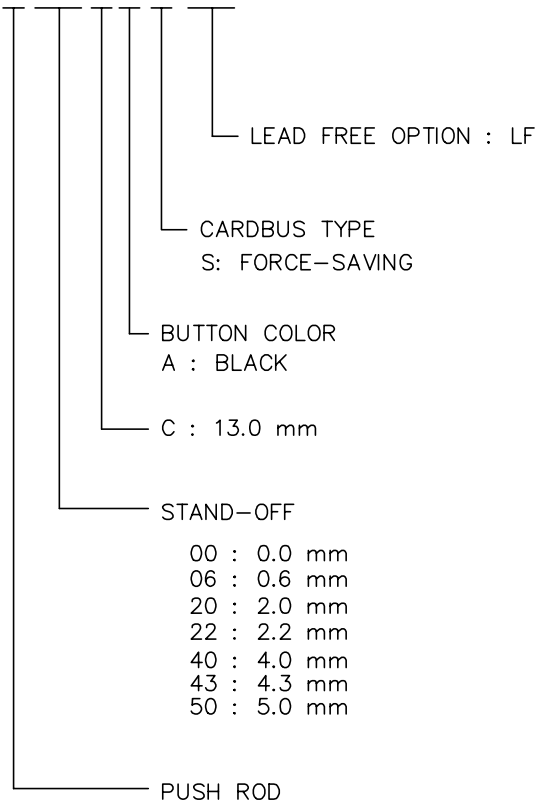
P/N : 73704-6**CAS/6**CASLF
(ABOVE P.C.B/LAYOUT SEE TA-1050)

P/N : 73704-622CAS/622CASLF
(ABOVE P.C.B/LAYOUT SEE TA-1050)

mat'l. code	surface ISO1302	tolerance ISO1101 ISO406	projection MM	product family PCMCIA
ltr ecn nodr date	tolerances unless otherwise specified		scale 1:1	title CARDBUS EJ HEADER SMT, TYPE 1/2/3
J	angle 0°±2'	±0.30	MM	dwg no 73704
	dr WENDY CHEN	05/09/97	FCI	sheet 10 of 11 size A4
	engr JOSEPH HSIA	05/09/97		type Product Customer Drawing
	chr JOSEPH HSIA	05/09/97		
	appd JENN TSAO	05/09/97		
sheet index	revision sheet			

PART NUMBER DESCRIPTION :

73704-□□□□□□□□



TOP MOUNT	BOTTOM MOUNT
0 : RIGHT	5 : RIGHT
1 : LEFT	6 : LEFT

NOTES:

- 1 8.0mm MIN CARD EJECT.
- 2 EJECT TRAVEL: 9.50mm
- 3 MATERIAL:
 - 3.1 EJECT HEADER ASS'Y
 - PLASTIC HOUSING: HIGH TEMPERATURE THERMOPLASTIC UL94V-0 BLACK
 - PIN: PHOSPHOR BRONZE
 - PCB: FR4
 - PLASTIC GUIDE: HIGH TEMPERATURE THERMOPLASTIC UL94V-0 BLACK
 - PLATE: STAINLESS
 - EMI CONTACT: PHOSPHOR BRONZE
 - 3.2 RECEPTACLE
 - PLASTIC: HIGH TEMPERATURE THERMOPLASTIC UL94V-0 BLACK
 - PIN: BeCu
- 4 FINISH
 - PIN :
 - UNDER PLATING: 0.5um MIN. Ni
 - CONTACT AREA: 0.076 μm MIN. GOLD
 - SOLDER TAIL(TIN LEAD OPTION): 2.5um MIN. Sn-Pb
 - SOLDER TAIL(LEAD FREE OPTION): 2.5um MIN. PURE TIN
 - GROUND SHIELD :
 - UNDER PLATING: 0.75um MIN. Ni
 - CONTACT SURFACE: 0.03um GOLD MIN. OVER
 - PdNi 0.5um MIN.(GOLD FLASH DOUBLE SIDES)
 - OR, 0.38um GOLD(ONE SIDE ONLY)
- 5 PUSH ROD LOCATION AND P.C.B. ARE AS APPEARS INSTALLED
- 6 DIM "X"

4.25±0.1	3.5±0.1	5.0±0.1
OTHERS	36,67	1,17,34,35,51,68
- 7 DO NOT TOUCH AND KEEP CLEAN THE SURFACES OF PCB OF HEADER ASS'Y.
- 8 P.C.B LAYOUT AND PIN ASSIGNMENT REFERED TO PART NUMBER TA-1050.
- 9 IF LEAD FREE P.N.THE HOUSING WILL WITHSTAND EXPOSURE TO 260°C PEAK TEMPERATURE FOR 10 SECONDS IN A WAVE SOLDER APPLICATION WITH A 1.00MM MINIMUM THICK CIRCUIT BOARD.
- 10 IF LEAD FREE P/N.THE PRODUCT MEETS EUROPEAN UNION DIRECTIVES AND OTHER COUNTRY REGULATIONS AS DISCRIBLED IN GS-22-008
- 11 LEAD FREE P/N PACKAGING MEETS GS-14-920 SPECIFICATION
- 12 PRODUCT SPEC:110-263

mat'l. code	surface ISO1302 ✓	tolerance ISO1101 ISO406	projection 	product family PCMCIA
ltr ecn nodr date	tolerances unless otherwise specified		MM	title CARDBUS EJ HEADER SMT, TYPE 1/2/3
J	angle 0°±2'	±0.30	scale 1:1	dwg no 73704
	dr WENDY CHEN 05/09/97	engr JOSEPH HSIA 05/09/97		sheet 1 of 11 size A4
	chr JOSEPH HSIA 05/09/97	appd JENN TSAO 05/09/97		type Product Customer Drawing
sheet index	revision sheet			