



Chipsmall Limited consists of a professional team with an average of over 10 year of expertise in the distribution of electronic components. Based in Hongkong, we have already established firm and mutual-benefit business relationships with customers from,Europe,America and south Asia,supplying obsolete and hard-to-find components to meet their specific needs.

With the principle of “Quality Parts,Customers Priority,Honest Operation,and Considerate Service”,our business mainly focus on the distribution of electronic components. Line cards we deal with include Microchip,ALPS,ROHM,Xilinx,Pulse,ON,Everlight and Freescale. Main products comprise IC,Modules,Potentiometer,IC Socket,Relay,Connector.Our parts cover such applications as commercial,industrial, and automotives areas.

We are looking forward to setting up business relationship with you and hope to provide you with the best service and solution. Let us make a better world for our industry!



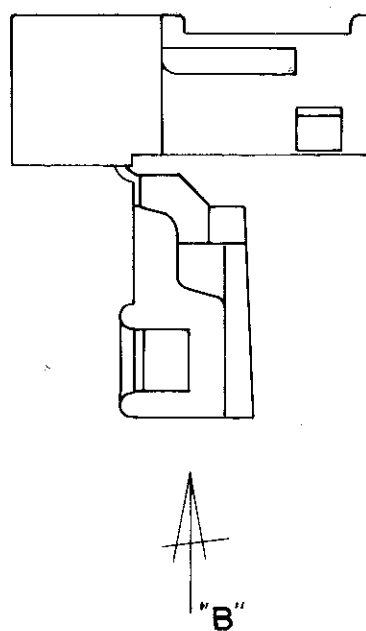
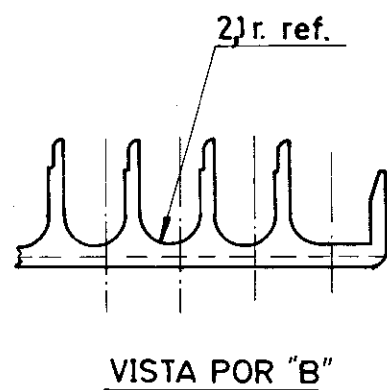
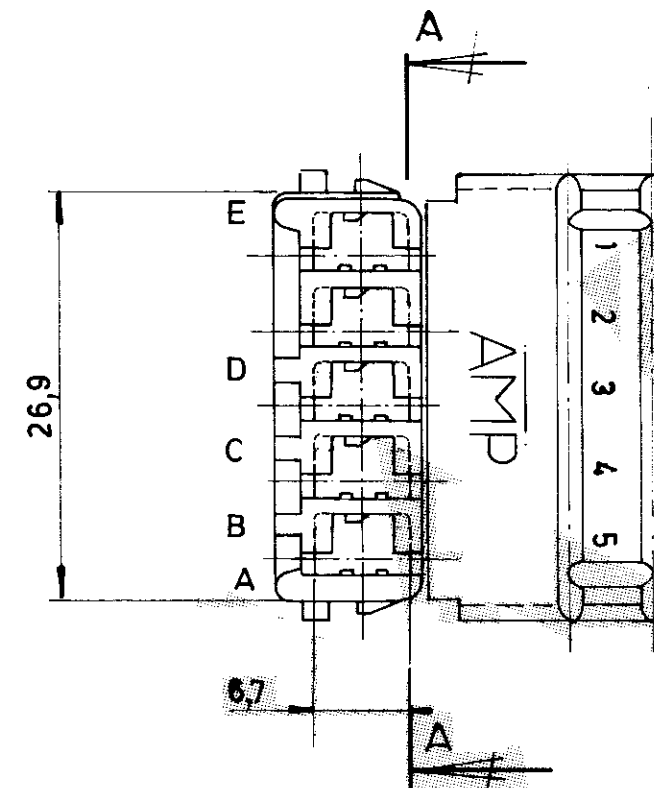
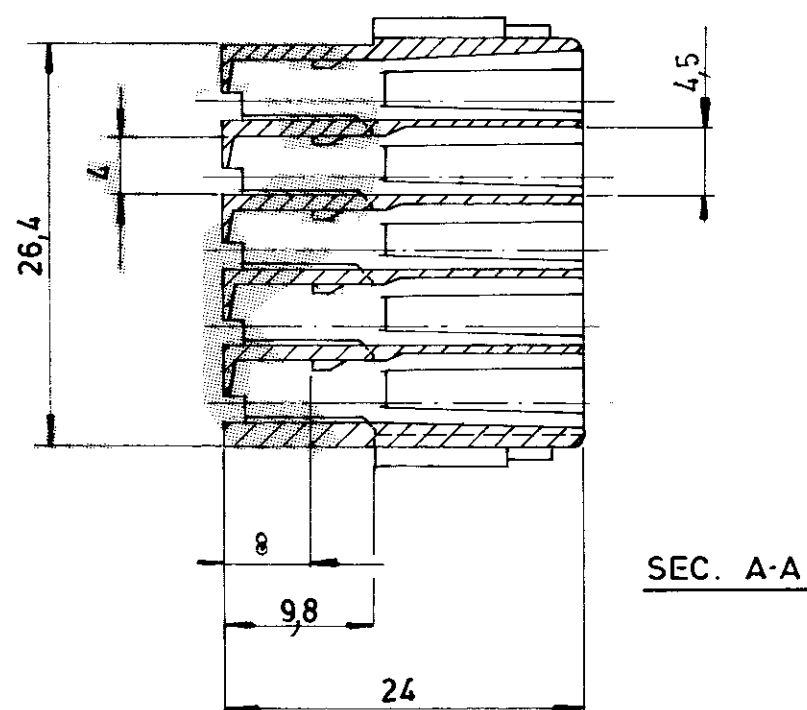
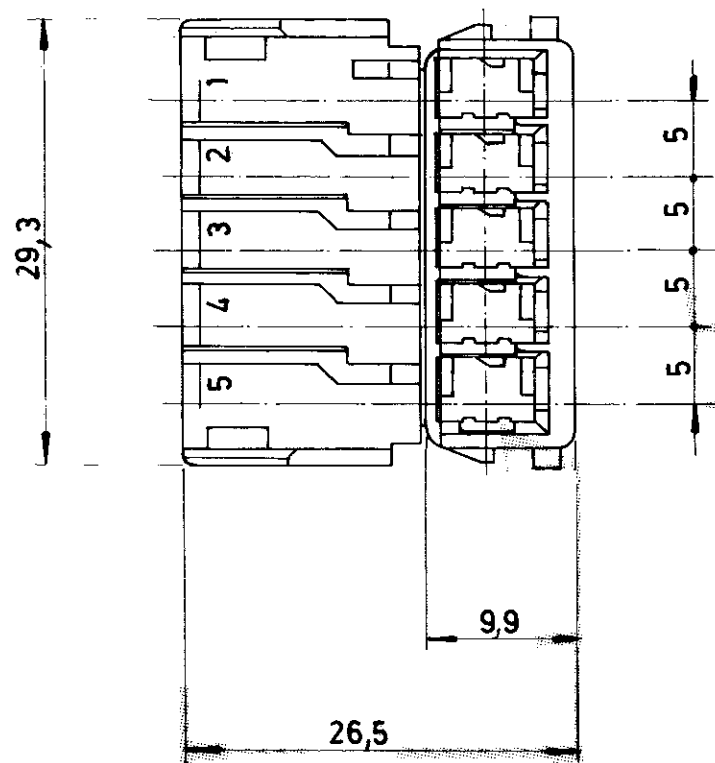
## Contact us

Tel: +86-755-8981 8866 Fax: +86-755-8427 6832


Email & Skype: info@chipsmall.com Web: www.chipsmall.com

Address: A1208, Overseas Decoration Building, #122 Zhenhua RD., Futian, Shenzhen, China





OBSOLETE	737058-7	7703097319	NYLON 6/6	GRIS	A-D
OBSOLETE	737058-1	7703097321	NYLON 6/6	ROJO	A-B
OBSOLETE	737058-9	7703097320	NYLON 6/6	NARANJA	B-C
OBSOLETE	737058-3	7703097322	NYLON 6/6	AZUL	B-D
OBSOLETE	737058-2	7703097323	NYLON 6/6	VERDE	A-C
OBSOLETE	<del>737058-5</del>	7703097318	NYLON 6/6	NEGRO	A-E
OBSOLETE	737058-4	7703097331	NYLON 6/6	AMARILLO	A-E
	737058-0	7703097330	NYLON 6/6	NATURAL	A-E
	N.º ORDEN	REF. RENAULT	MATERIAL	COLOR	POLARIZA.

PLANO DE CLIENTE SOLO PARA REFERENCIA					
NUMERO 737058	DIS.	FECHA	©1982 POR TE - ESPAÑOLA S. A. TODOS LOS DERECHOS RESERVADOS LOS PRODUCTOS TE ESTAN CUBIERTOS POR PATENTES ACTUALES O PENDIENTES		
	COMF.	FECHA	 TE Connectivity		
	DE.	FECHA			
	REV.	FECHA	GAMA HILO	GAMA AISLANTE	PRIMER USO
G ES00-0018-99		ESCALA 2:1	LOC AL	B	N.º 737058
NOMBRE PROTECCION PARA P. LOCK MK.III 5vias					

LOC.  
AL  
DIST.  
2