



Chipsmall Limited consists of a professional team with an average of over 10 year of expertise in the distribution of electronic components. Based in Hongkong, we have already established firm and mutual-benefit business relationships with customers from,Europe,America and south Asia,supplying obsolete and hard-to-find components to meet their specific needs.

With the principle of “Quality Parts,Customers Priority,Honest Operation,and Considerate Service”,our business mainly focus on the distribution of electronic components. Line cards we deal with include Microchip,ALPS,ROHM,Xilinx,Pulse,ON,Everlight and Freescale. Main products comprise IC,Modules,Potentiometer,IC Socket,Relay,Connector.Our parts cover such applications as commercial,industrial, and automotives areas.

We are looking forward to setting up business relationship with you and hope to provide you with the best service and solution. Let us make a better world for our industry!



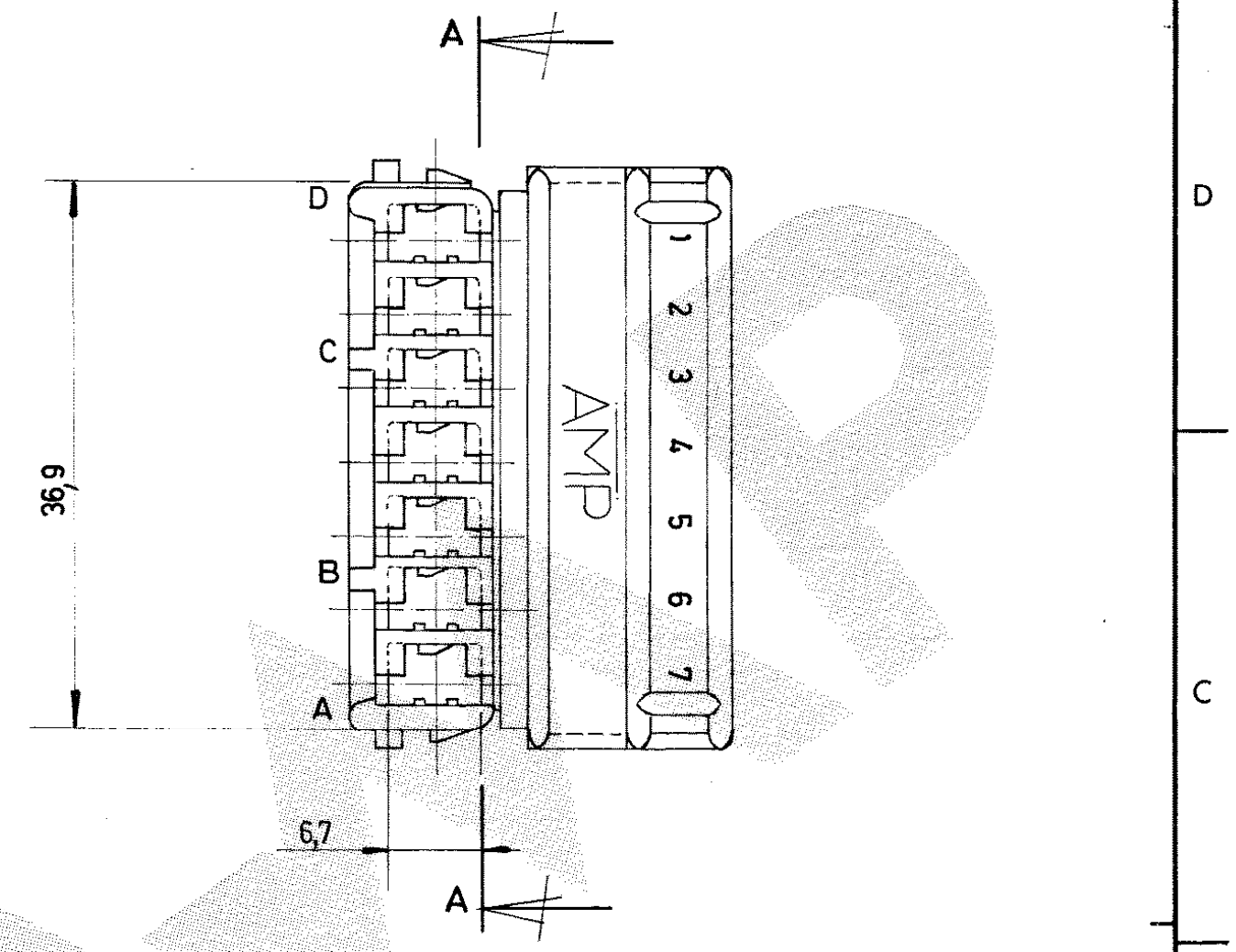
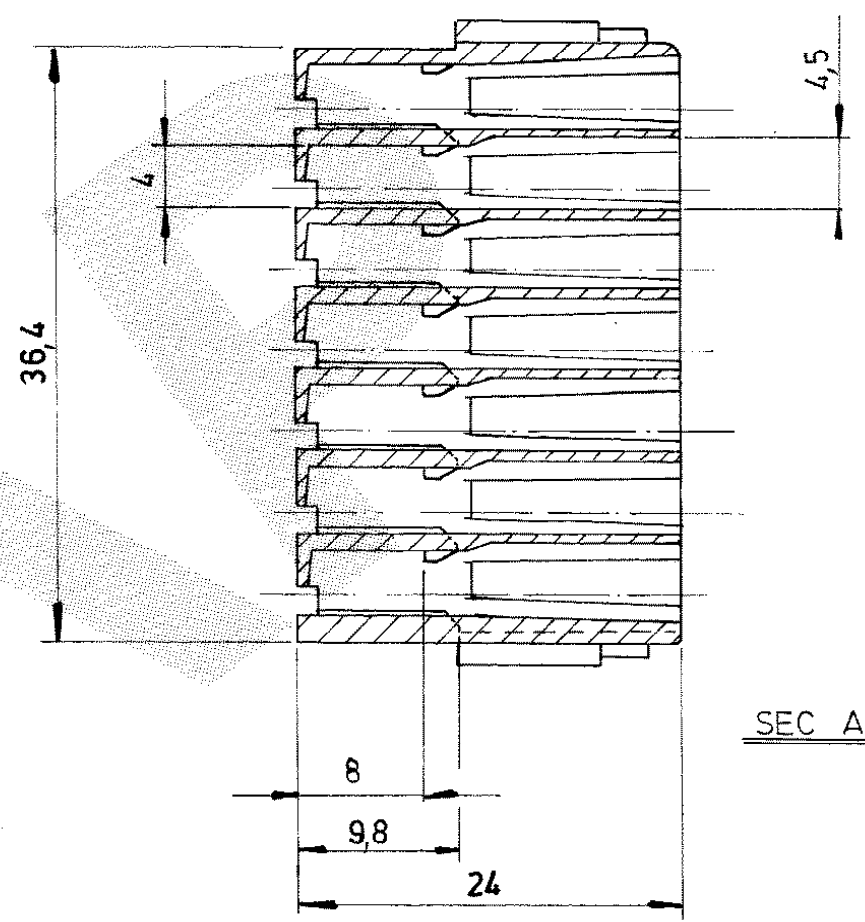
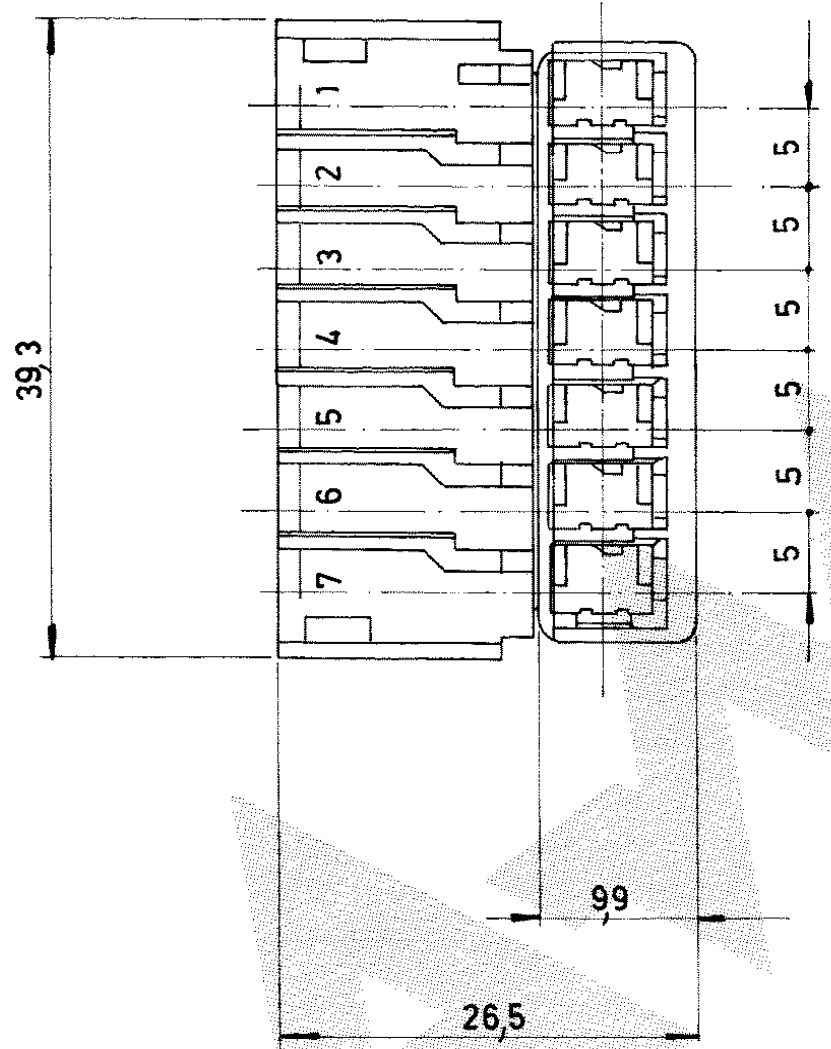
Contact us

Tel: +86-755-8981 8866 Fax: +86-755-8427 6832

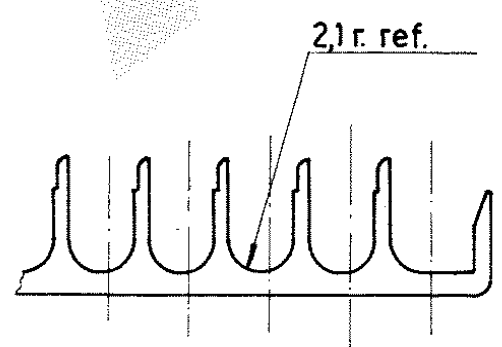
Email & Skype: info@chipsmall.com Web: www.chipsmall.com

Address: A1208, Overseas Decoration Building, #122 Zhenhua RD., Futian, Shenzhen, China

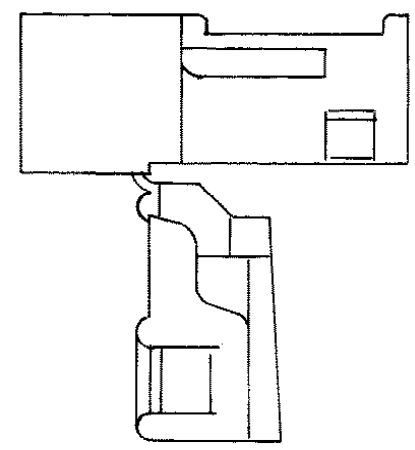




SEC A-A



VISTA POR "B"



OBSOLETO	737059-9	7703097326	NYLON 6 6	NARANJA	A-B
OBSOLETO	737059-3	7703097327	NYLON 6 6	AZUL	D-C
	737059-5	7703097325	NYLON 6/6	NEGRO	A-D
OBSOLETO	737059-0	7703097377	NYLON 6/6	NATURAL	A-D
	PN	REF RENAULT	MATERIAL	COLOR	POLARIZA

LOC.	AL				
DIST.	G1	GENERAL TOLERANCE ADDED	04APR2013	PKS	RRP
Rev	2	Description	Date	Dwn	App

NUMERO 737059	PLANO DE CLIENTE SOLO PARA REFERENCIA					
	DIB.	FECHA	TE Connectivity			
	COMF.	FECHA				
	DE.	FECHA	GAMA HILO	GAMA AISLANTE	PRIMER USO	TOLERANCIA DE GENERAL 1 DEC. = ±0.5 2 DEC. = ±0.3
		ESCALA 2:1	LOC AL	B	N.º 737059	REV G1
NOMBRE PROTECCION PARA P. LOCK MK.III 7vias						