



Chipsmall Limited consists of a professional team with an average of over 10 year of expertise in the distribution of electronic components. Based in Hongkong, we have already established firm and mutual-benefit business relationships with customers from,Europe,America and south Asia,supplying obsolete and hard-to-find components to meet their specific needs.

With the principle of “Quality Parts,Customers Priority,Honest Operation,and Considerate Service”,our business mainly focus on the distribution of electronic components. Line cards we deal with include Microchip,ALPS,ROHM,Xilinx,Pulse,ON,Everlight and Freescale. Main products comprise IC,Modules,Potentiometer,IC Socket,Relay,Connector.Our parts cover such applications as commercial,industrial, and automotives areas.

We are looking forward to setting up business relationship with you and hope to provide you with the best service and solution. Let us make a better world for our industry!



Contact us

Tel: +86-755-8981 8866 Fax: +86-755-8427 6832

Email & Skype: info@chipsmall.com Web: www.chipsmall.com

Address: A1208, Overseas Decoration Building, #122 Zhenhua RD., Futian, Shenzhen, China



NUMERO 737060

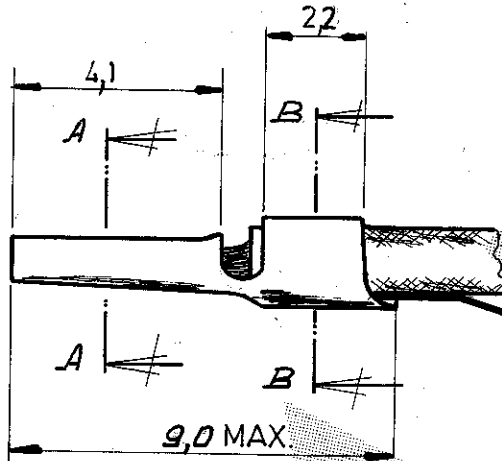
DIBUJADO EN PROYECCIONES

AMERICANAS	<input checked="" type="checkbox"/>
EUROPEAS	<input type="checkbox"/>

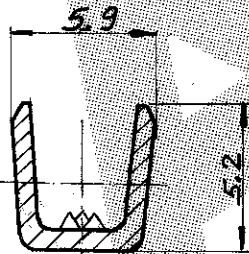
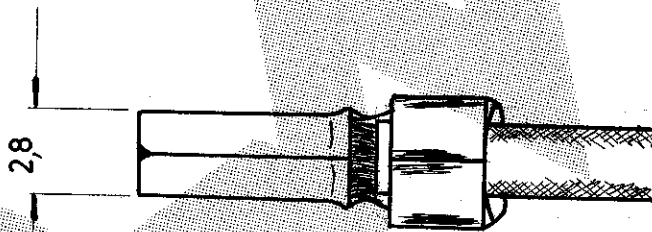
LTR	REVISION RECORD	DATE	DWN	APVD
C1	ECO-09-026444	NOV09	KK	AEG

NOTE:

1 OBSOLETE PARTS: OBSOLETE CIS STREAMLINING PER D.RENAUD/D.SINISI

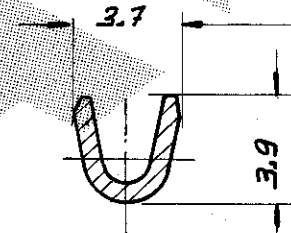


CABLE RIGIDO ESMALTADO



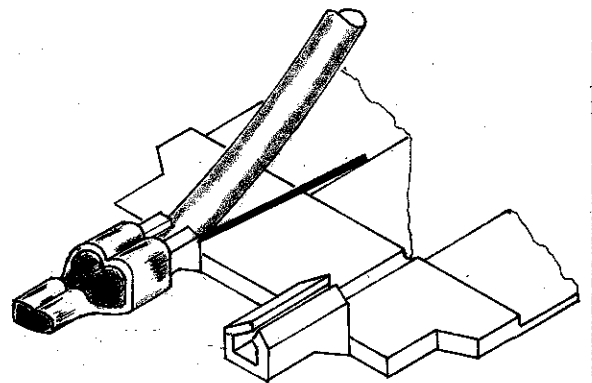
SECCION B-B

barrel aislante abierto



SECCION A-A

barrel hilo abierto



DETALLE APLICACION A CARCASA BOBINA

TOLERANCIA GENERAL ± 0.3

PLANO DE CLIENTE SOLO PARA REFERENCIA

© 1982 POR AMP - ESPAÑOLA S. A.
 TODOS LOS DERECHOS RESERVADOS
 LOS PRODUCTOS AMP ESTAN CUBIERTOS POR
 PATENTES ACTUALES O PENDIENTES



AMP - ESPAÑOLA S. A.
 BARCELONA
 ESPAÑA

GAMA HILO	GAMA AISLANTE	PRIMER USO
07-25mm ²	3,8 max.mm ϕ	

ESCALA	LOC	A	N.º	737 060	REV.	C1
--------	-----	---	-----	---------	------	----

NOMBRE
 CONECTOR AMPLIVAR CON SOPORTE DE AISLANTE

LOC. DIST. AL 2
 DIMENSIONES EN M. M.

737060-3	LATON	PRE-ESTANADO
737060-2	LATON	ESTANADO
737060-1	LATON	
N.º ORDEN	MATERIAL	ACABADO

DIB.	FECHA	DE	FECHA
J. Lázaro	18-11-82	[Signature]	4/1/93
COMP.	FECHA	REV.	FECHA
M. Alonso	24-11-82	B	2-1-90

ES/01 15/01