



Chipsmall Limited consists of a professional team with an average of over 10 year of expertise in the distribution of electronic components. Based in Hongkong, we have already established firm and mutual-benefit business relationships with customers from,Europe,America and south Asia,supplying obsolete and hard-to-find components to meet their specific needs.

With the principle of “Quality Parts,Customers Priority,Honest Operation,and Considerate Service”,our business mainly focus on the distribution of electronic components. Line cards we deal with include Microchip,ALPS,ROHM,Xilinx,Pulse,ON,Everlight and Freescale. Main products comprise IC,Modules,Potentiometer,IC Socket,Relay,Connector.Our parts cover such applications as commercial,industrial, and automotives areas.

We are looking forward to setting up business relationship with you and hope to provide you with the best service and solution. Let us make a better world for our industry!



## Contact us

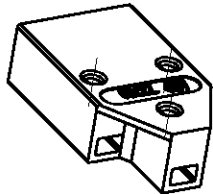
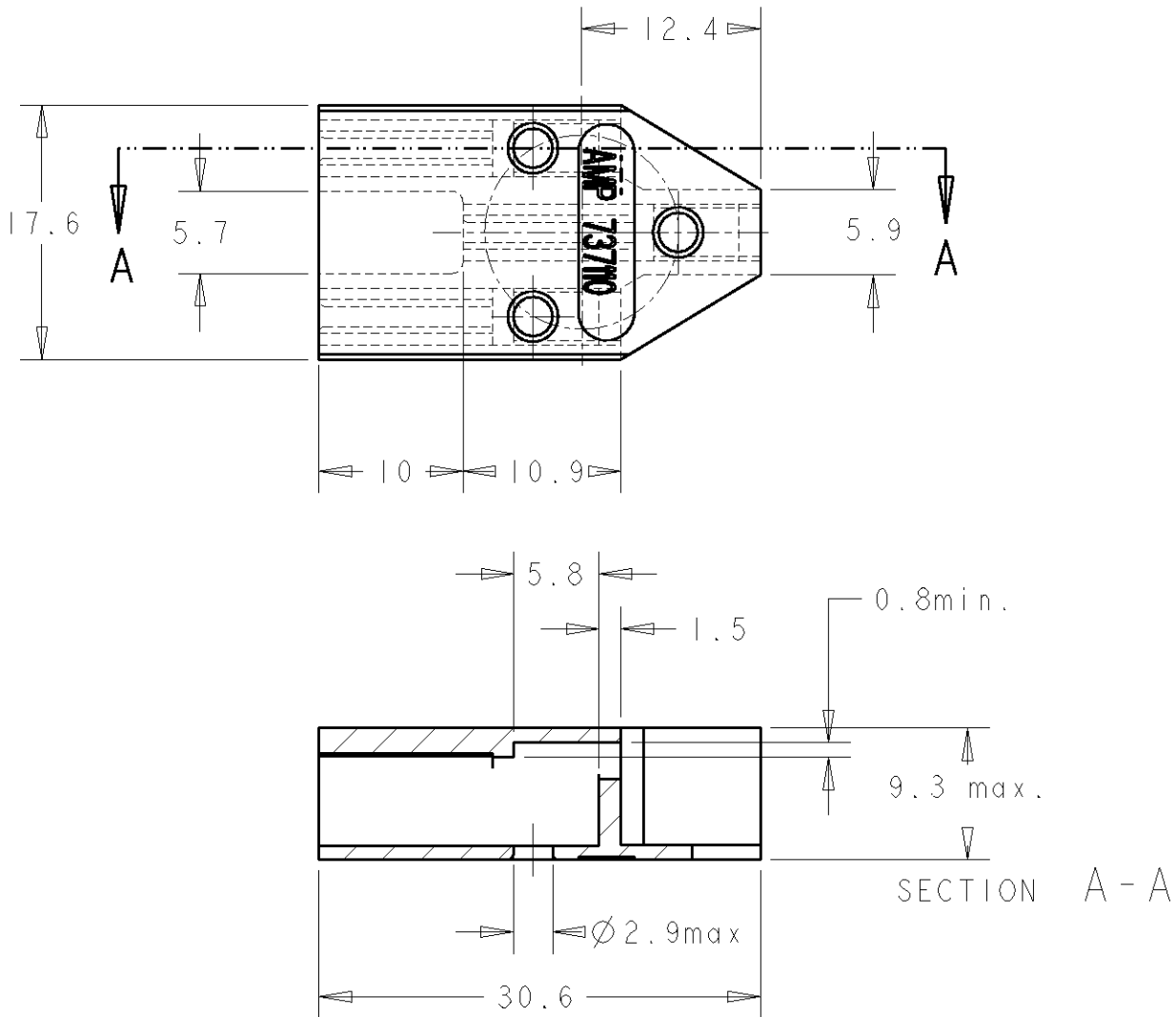
Tel: +86-755-8981 8866 Fax: +86-755-8427 6832

Email & Skype: info@chipsmall.com Web: www.chipsmall.com

Address: A1208, Overseas Decoration Building, #122 Zhenhua RD., Futian, Shenzhen, China



LOC	DIST	REVISIONS				
P	LTR	DESCRIPTION	DATE	DWN	APVD	
AL	2	E1	Redibujado en CAD sin cambios	29NOV2007	J.L	J.S



NATURAL	PBT 30%GF-V0	737110-4
NATURAL	POLYESTER	737110-3
COLOR	MATERIAL	P.N

20

RELEASED FOR PUBLICATION

BY TYCO ELECTRONICS CORPORATION. ALL RIGHTS RESERVED.

© COPYRIGHT 20

THIS DRAWING IS UNPUBLISHED.

DIMENSIONS:	
mm	
TOLERANCES UNLESS OTHERWISE SPECIFIED:	
0 PLC	±
1 PLC	±GENERAL
2 PLC	±TOLERANCIA
3 PLC	±± 0.4
4 PLC	±
ANGLES	±-



DWN	J.Lazaro	29NOV2007
CHK	J.Salo	29NOV2007
APVD	L.Batllo	29NOV2007
PRODUCT SPEC	-	
APPLICATION SPEC	-	
WEIGHT	-	

MATERIAL	-	FINISH	-
		Tyco Electronics AMP España S.A. Barcelona / Spain	
NAME CAJA PARA GRUPO HERMETICO			
SIZE	CAGE CODE	DRAWING NO	RESTRICTED TO
A4	00779	C=737110	-

CUSTOMER DRAWING	SCALE	2/1	SHEET	1	OF	1	REV	E1
------------------	-------	-----	-------	---	----	---	-----	----