



Chipsmall Limited consists of a professional team with an average of over 10 year of expertise in the distribution of electronic components. Based in Hongkong, we have already established firm and mutual-benefit business relationships with customers from,Europe,America and south Asia,supplying obsolete and hard-to-find components to meet their specific needs.

With the principle of “Quality Parts,Customers Priority,Honest Operation,and Considerate Service”,our business mainly focus on the distribution of electronic components. Line cards we deal with include Microchip,ALPS,ROHM,Xilinx,Pulse,ON,Everlight and Freescale. Main products comprise IC,Modules,Potentiometer,IC Socket,Relay,Connector.Our parts cover such applications as commercial,industrial, and automotives areas.

We are looking forward to setting up business relationship with you and hope to provide you with the best service and solution. Let us make a better world for our industry!



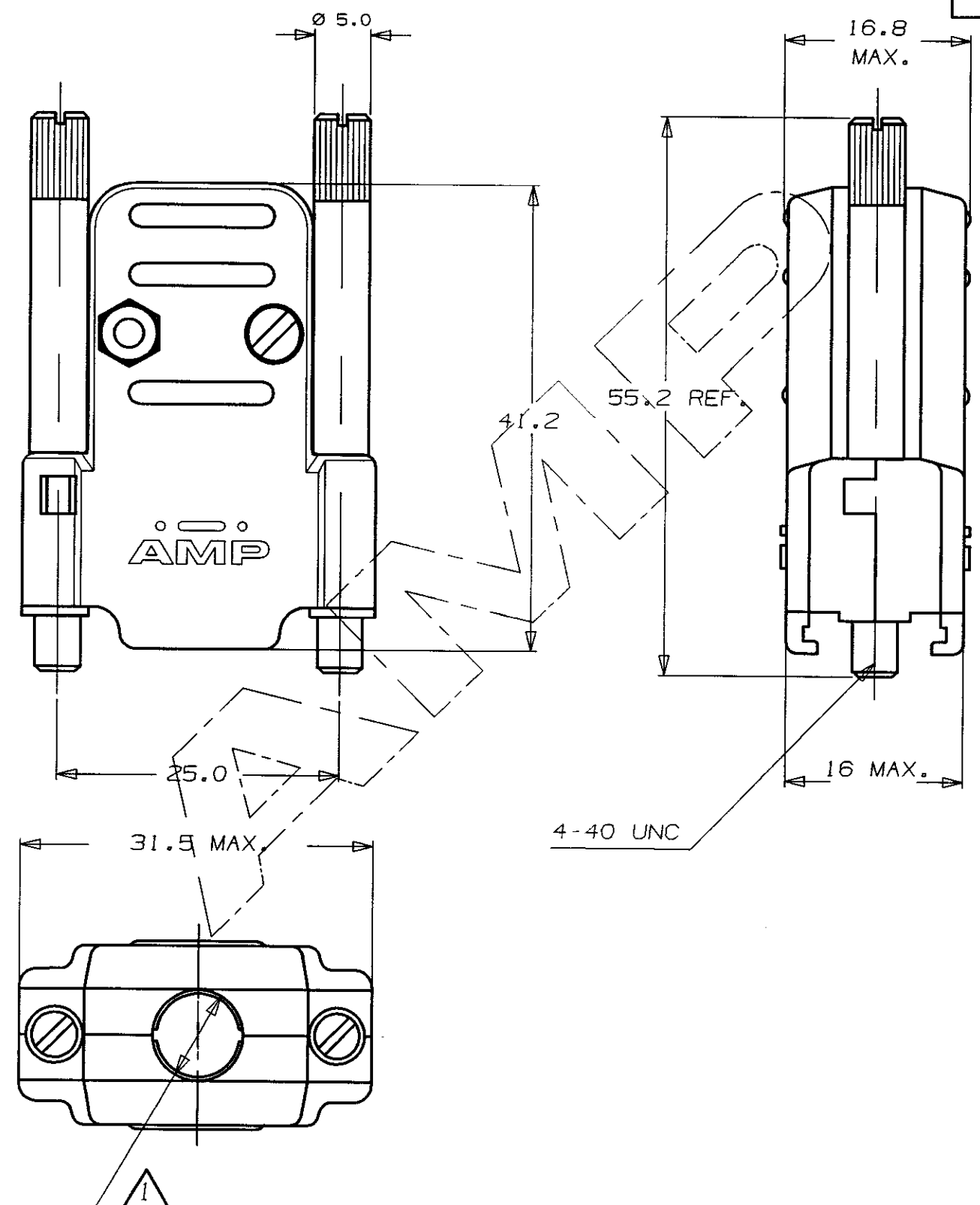
## Contact us

Tel: +86-755-8981 8866 Fax: +86-755-8427 6832

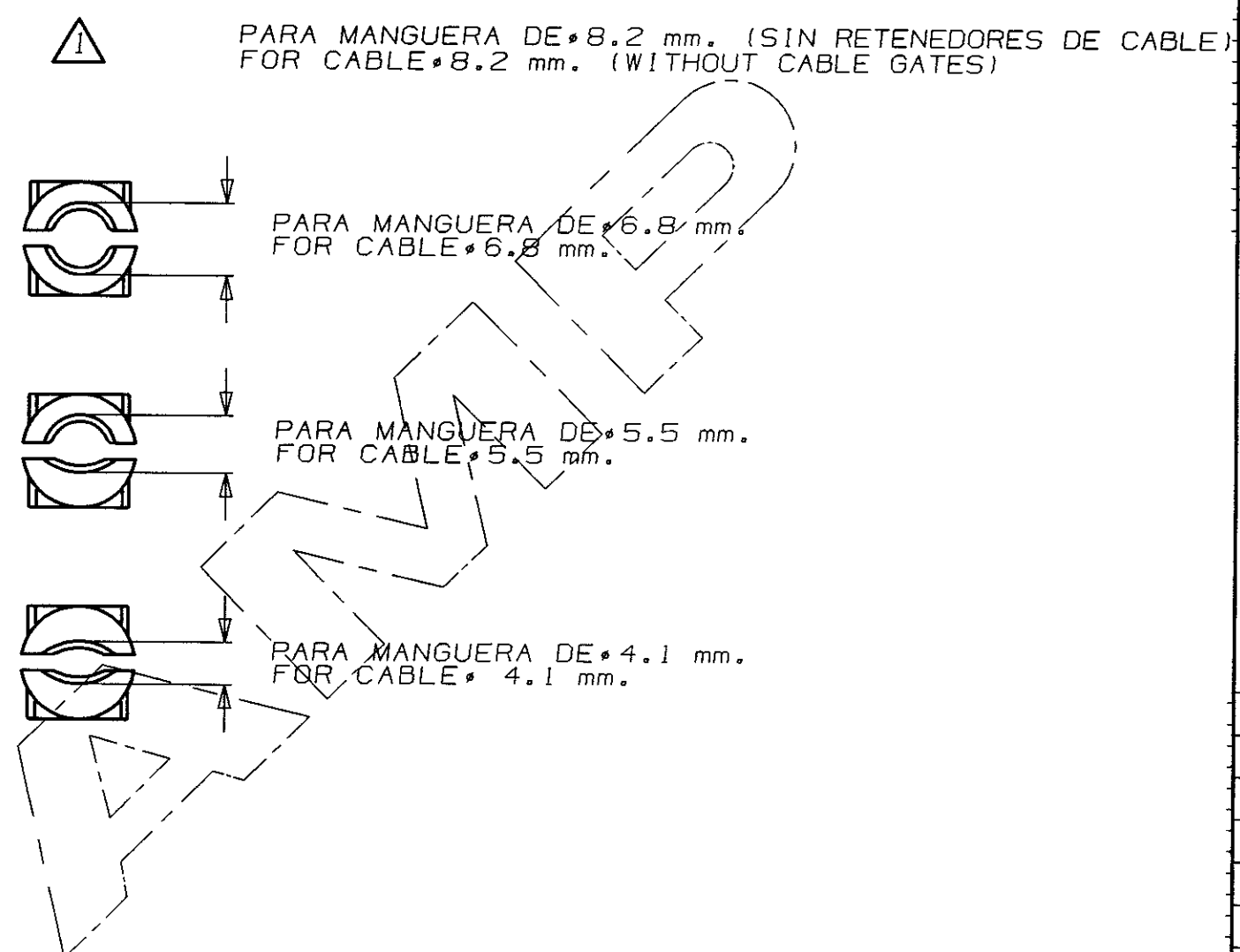
Email & Skype: info@chipsmall.com Web: www.chipsmall.com

Address: A1208, Overseas Decoration Building, #122 Zhenhua RD., Futian, Shenzhen, China





RETENEDORES DE CABLES CABLE GATES



LOC AL  
 DIST 2

OTROS TRATAMIENTOS		ACABADO		MATERIAL		N. ORDEN	
PLANO DE CLIENTE SOLO PARA REFERENCIA				© COPYRIGHT 1990/92 AMP ESPANOLA, S.A. TODOS LOS DERECHOS RESERVADOS. LOS PRODUCTOS AMP ESTAN CUBIERTOS POR PATENTES ACTUALES O PENDIENTES			
D	ECR-06-12358	DC	23MAY06	TOLERANCIAS GENERALES		<b>AMP</b> AMP ESPANOLA, S.A. BARCELONA ESPANA	
C1	ES00-0162-02	R.S.	16-1-03	DEC ± 0.5 ANGULO ± 1°			
C	ES00-0063-96	JG	16-Oct-96	DIBUJADO		NOMBRE KIT, CARCASA PROTECTORA PARA CONECTORES HD 9 POS.	
B	REVISADO	JC	24-4-92	CARBONELL 21-11-90			
A	REVISADO	JC	10-4-92	CONF. P. DURAN 10-4-92		PLANO N. 737426	
LETRA	REVISIONES	DIBUJ.	FECHA	APR. P. DURAN 10-3-93			

