



Chipsmall Limited consists of a professional team with an average of over 10 year of expertise in the distribution of electronic components. Based in Hongkong, we have already established firm and mutual-benefit business relationships with customers from,Europe,America and south Asia,supplying obsolete and hard-to-find components to meet their specific needs.

With the principle of “Quality Parts,Customers Priority,Honest Operation,and Considerate Service”,our business mainly focus on the distribution of electronic components. Line cards we deal with include Microchip,ALPS,ROHM,Xilinx,Pulse,ON,Everlight and Freescale. Main products comprise IC,Modules,Potentiometer,IC Socket,Relay,Connector.Our parts cover such applications as commercial,industrial, and automotives areas.

We are looking forward to setting up business relationship with you and hope to provide you with the best service and solution. Let us make a better world for our industry!



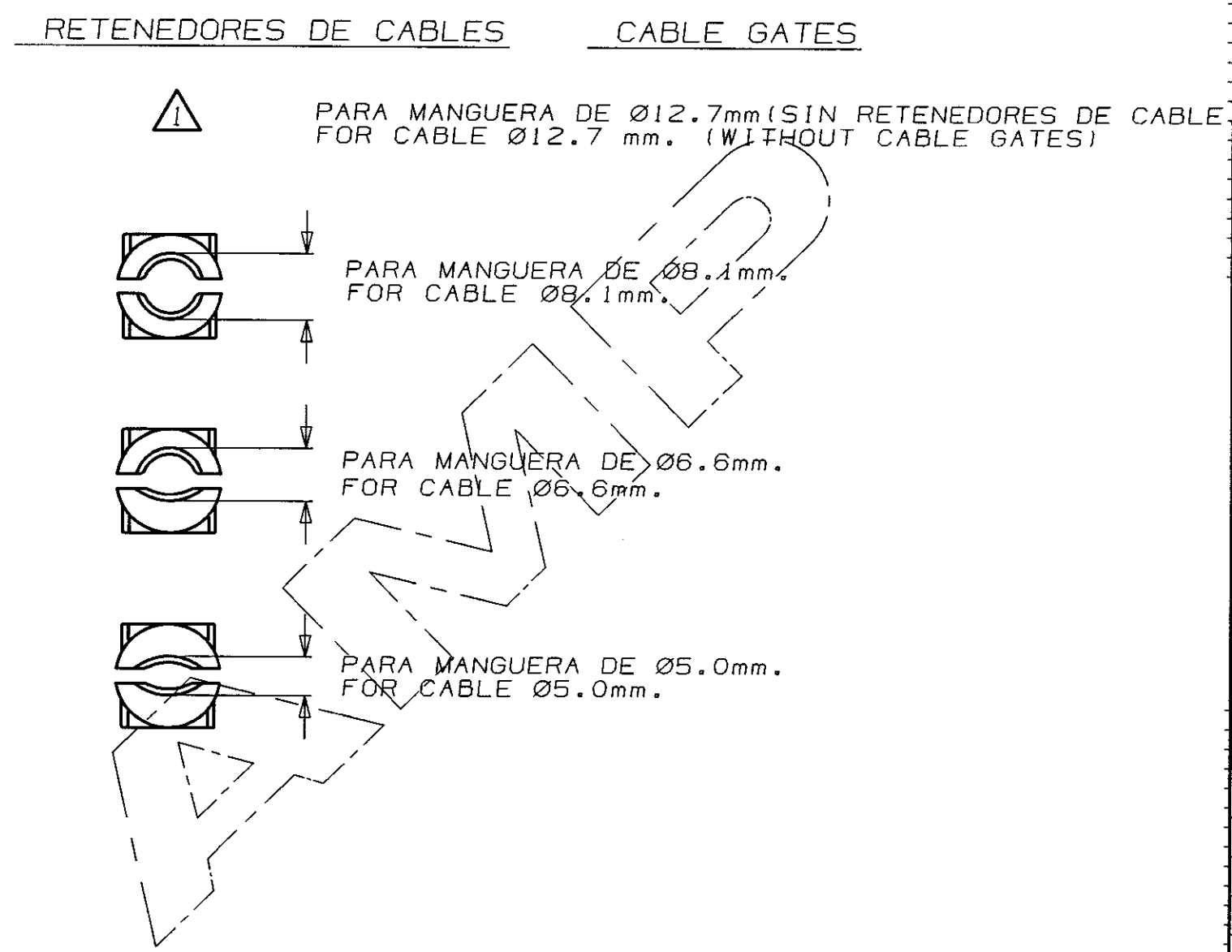
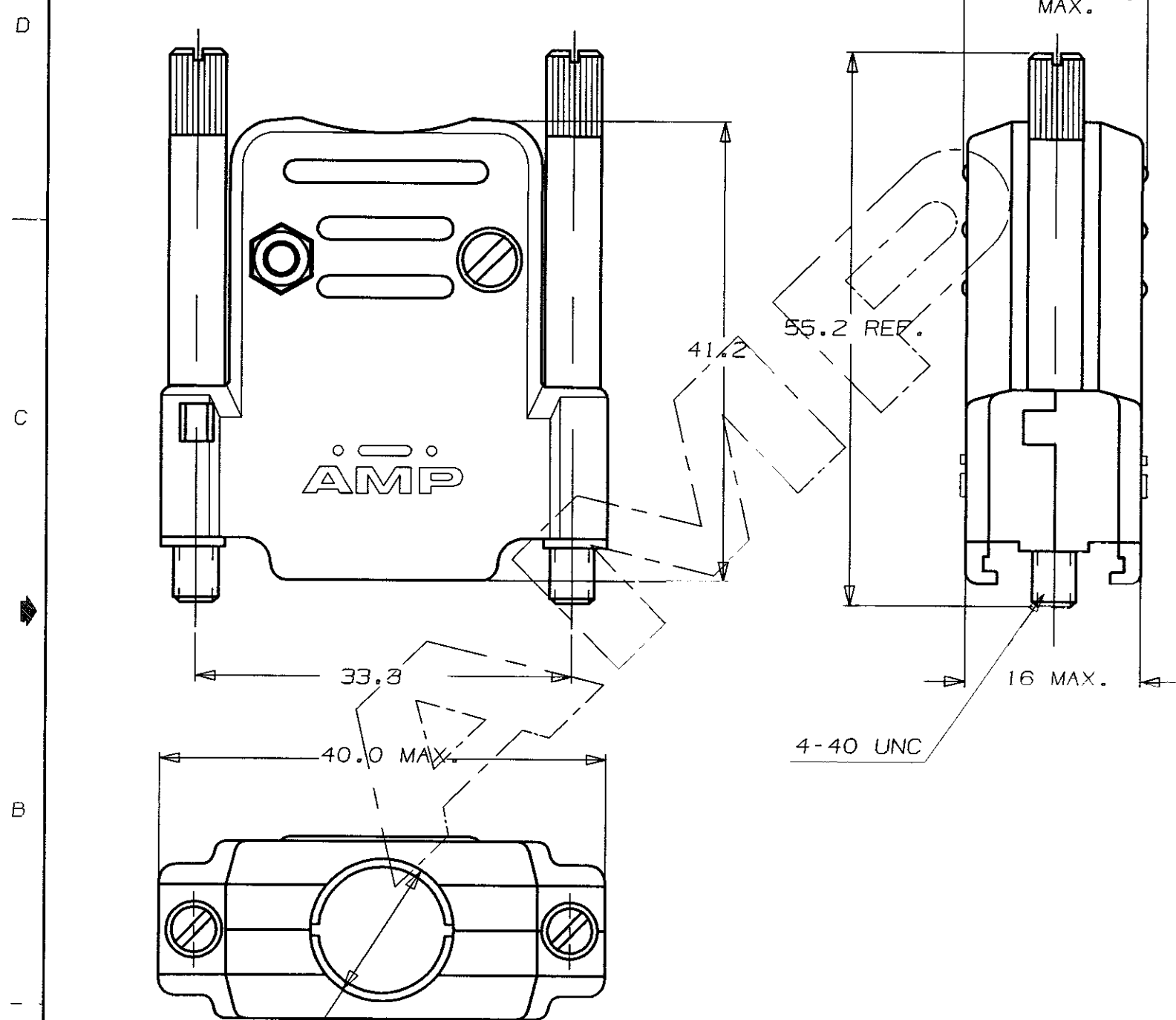
## Contact us

Tel: +86-755-8981 8866 Fax: +86-755-8427 6832

Email & Skype: info@chipsmall.com Web: www.chipsmall.com


Address: A1208, Overseas Decoration Building, #122 Zhenhua RD., Futian, Shenzhen, China





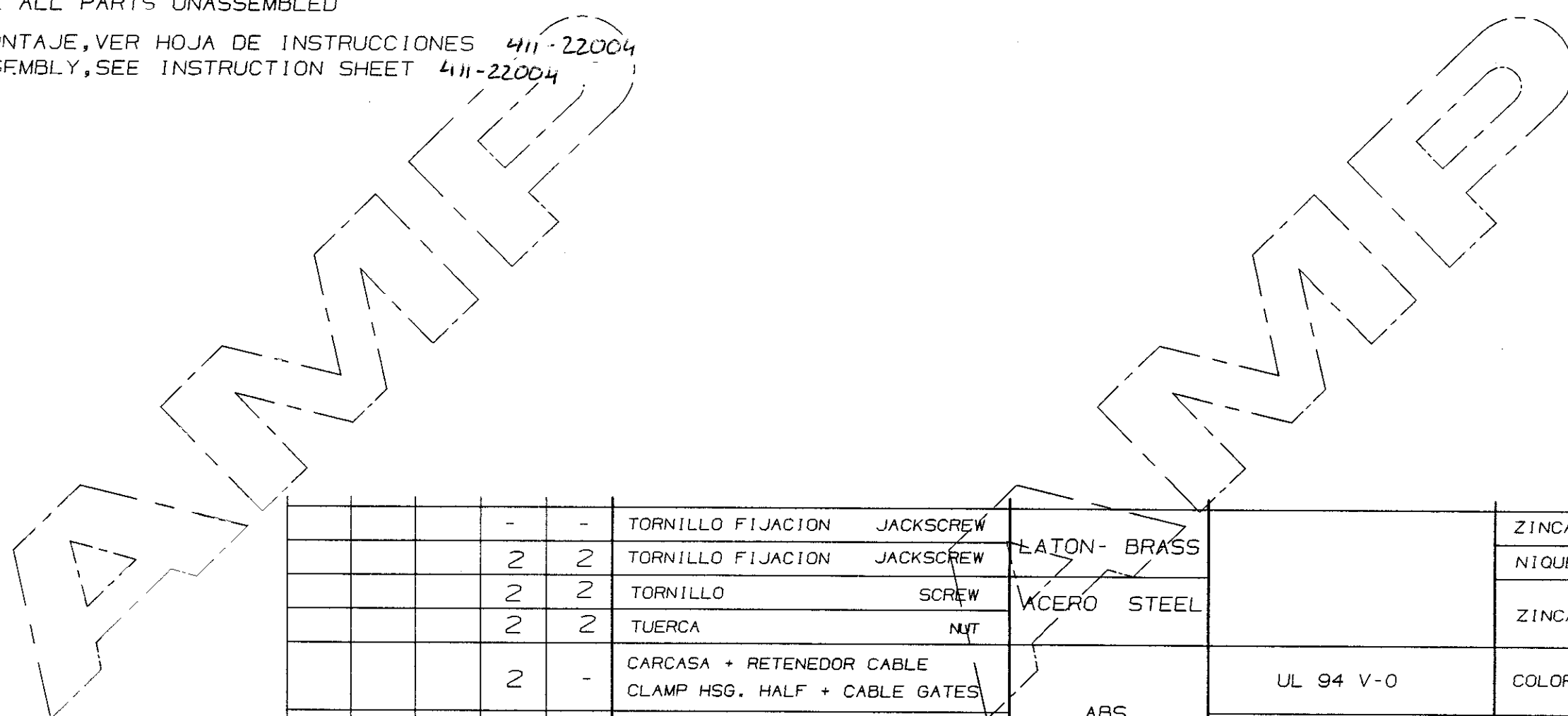
LOC  
AL  
DIST  
2

OTROS TRATAMIENTOS		ACABADO		MATERIAL	N. ORDEN
PLANO DE CLIENTE SOLO PARA REFERENCIA				© COPYRIGHT 1990/96 AMP ESPANOLA, S.A. TODOS LOS DERECHOS RESERVADOS. LOS PRODUCTOS AMP ESTAN CUBIERTOS POR PATENTES ACTUALES O PENDIENTES	
D	ECR-06-012358	DC	23MAY06	TOLERANCIAS GENERALES DEC ± 0.5 ANGULO ± 1°	AMP AMP ESPANOLA, S.A. BARCELONA ESPANA
C1	ES00-0162-02	R.S	16-1-03		
C	ES00-0063-96	JC	195ET96	DIBUJADO CARBONELL 21-11-90	NOMBRE KIT, CARCASA PROTECTORA PARA CONECTORES HD 15 POS
B	REVISADO	JC	24-4-92		
A	REVISADO	JC	10-4-92	CONF. P. DURAN 10-4-92	A3 PLANO N° 737431
LETRA	REVISIONES	DIBUJ.	FECHA	APR. P. DURAN 10-3-93	


C	SIN ESCALA	METRICO	 ANGULO DE PROYECCION
	DIMENSIONES EN mm.		

NOTAS:

- 1- LOS COMPONENTES IRAN ( SIN MONTAR ) DENTRO DE UNA BOLSA.  
PACKAGE ALL PARTS UNASSEMBLED
- 2- PARA MONTAJE, VER HOJA DE INSTRUCCIONES *411-22004*  
FOR ASSEMBLY, SEE INSTRUCTION SHEET *411-22004*



CANTIDAD POR KIT QTY. PER KIT	DESCRIPCION/DESCRIPTION	MATERIAL	RESIST. AL FUEGO FLAME RESISTANCE	ACABADO/FINISH
-	TORNILLO FIJACION JACKSCREW	LATON- BRASS		ZINCADO NEGRO BLACK ZINC PLATE
2	TORNILLO FIJACION JACKSCREW			NIQUELADO BRIGHT NICKEL
2	TORNILLO SCREW		ACERO STEEL	
2	TUERCA NUT			
2	CARCASA + RETENEDOR CABLE CLAMP HSG. HALF + CABLE GATES	ABS	UL 94 V-0	COLOR: NEGRO BLACK COLOR
-	CARCASA + RETENEDOR CABLE CLAMP HSG. HALF + CABLE GATES		UL 94 HB	NIQUELADO BRIGHT NICKEL

			-2	-1		PLANO DE CLIENTE SOLO PARA REFERENCIA	© COPYRIGHT 1990/92 AMP ESPANOLA, S.A. TODOS LOS DERECHOS RESERVADOS. LOS PRODUCTOS AMP ESTAN CUBIERTOS POR PATENTES ACTUALES O PENDIENTES		
			SIN METALIZAR PLAIN	METALIZADO METAL PLATED		<b>SEE SHEET 1</b>	TOLERANCIAS GENERALES DEC ± 0.5 ANGULO ± 1°	 AMP ESPANOLA, S.A. BARCELONA ESPANA	
						DIBUJADO CARBONELL 21-11-90	NOMBRE KIT, CARCASA PROTECTORA PARA CONECTORES HD 15 POS.		
						CONF. P. DURAN 10-4-92	A3	PLANO N° 737431	HOJA 2 de 2
						LETRA REVISIONES DIBUJ. FECHA APR. P. DURAN 10-3-93			

LOC  
AL  
DIST  
2