



Chipsmall Limited consists of a professional team with an average of over 10 year of expertise in the distribution of electronic components. Based in Hongkong, we have already established firm and mutual-benefit business relationships with customers from,Europe,America and south Asia,supplying obsolete and hard-to-find components to meet their specific needs.

With the principle of “Quality Parts,Customers Priority,Honest Operation,and Considerate Service”,our business mainly focus on the distribution of electronic components. Line cards we deal with include Microchip,ALPS,ROHM,Xilinx,Pulse,ON,Everlight and Freescale. Main products comprise IC,Modules,Potentiometer,IC Socket,Relay,Connector.Our parts cover such applications as commercial,industrial, and automotives areas.

We are looking forward to setting up business relationship with you and hope to provide you with the best service and solution. Let us make a better world for our industry!



Contact us

Tel: +86-755-8981 8866 Fax: +86-755-8427 6832

Email & Skype: info@chipsmall.com Web: www.chipsmall.com

Address: A1208, Overseas Decoration Building, #122 Zhenhua RD., Futian, Shenzhen, China

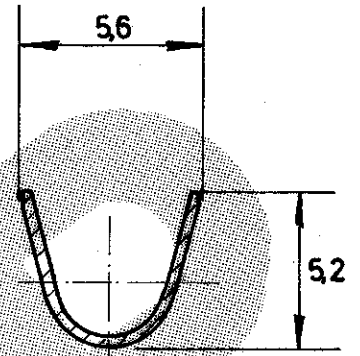
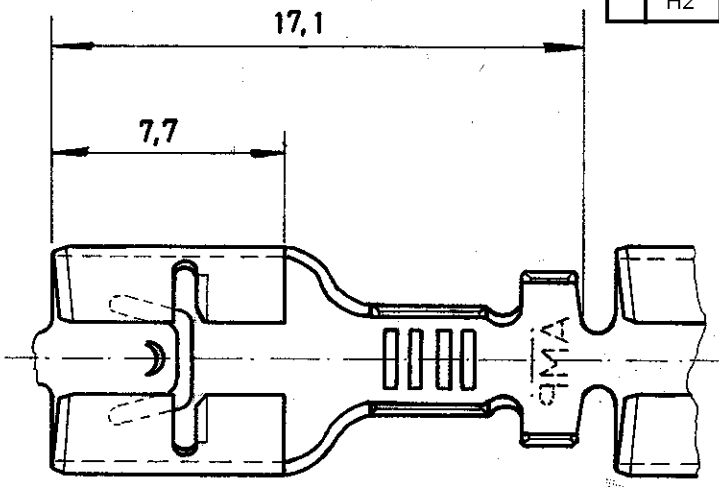


DIBUJADO EN PROYECCIONES

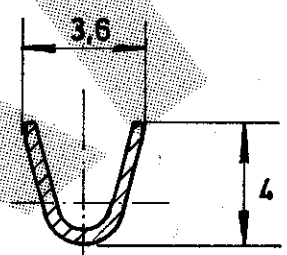
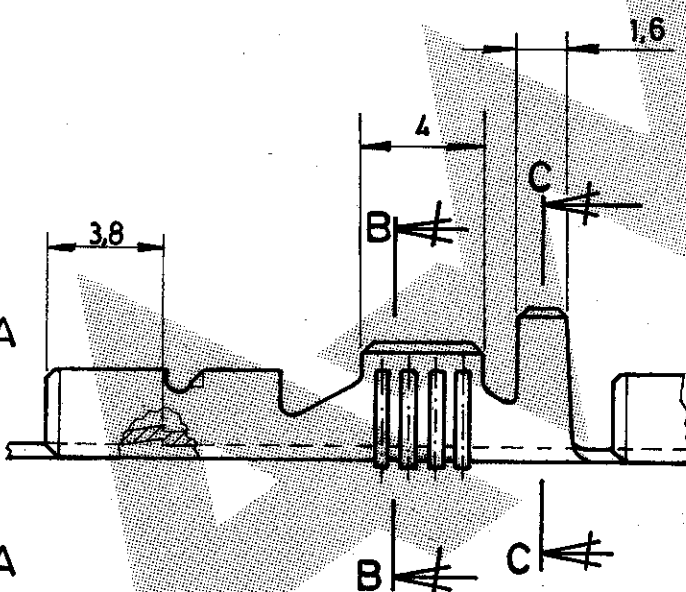
AMERICANAS
EUROPEAS

P	LTR	REVISION RECORD	DATE	DWN	APVD
	H2	REVISED PER ECO-11-005033	08APR11	RK	HMR

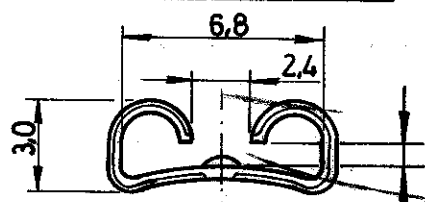
NUMERO 737440



SECCION C-C



SECCION B-B



VISTA A-A

TOLERANCIA GENERAL ± 0.4

PARA LENGÜETA
DE 0,8mm. ESPESOR
CON AGUJERO

NOTES

1 OBSOLETE PARTS: OBSOLETE CIS STREAMLINING PER D.RENAUD/D.SINISI

PLANO DE CLIENTE SOLO PARA REFERENCIA

737440-5	ACERO	NIQUELADO
737440-4	BRONCE	
737440-3	LATON	PRE ESTAN.
737440-2	LATON	ESTANADO
737440-1	LATON	
N.º ORDEN	MATERIAL	ACABADO
DIB. J. Lozano	FECHA 23-9-88	DE. FECHA
COMP. J. Lozano	FECHA 11/10/91	REV. E DR. J.L. FECHA 25/5/90

GAMA HILO 1,0-2,5mm ²			GAMA AISLANTE 3,0-4,3mm.Ø			PRIMER USO		
ESCALA	LOC	A	N.º	737440			REV. H2	
NOMBRE RECEPTACULO FASTON 6,35								



DIMENSIONES EN M. M.

DIST. CD