



Chipsmall Limited consists of a professional team with an average of over 10 year of expertise in the distribution of electronic components. Based in Hongkong, we have already established firm and mutual-benefit business relationships with customers from,Europe,America and south Asia,supplying obsolete and hard-to-find components to meet their specific needs.

With the principle of “Quality Parts,Customers Priority,Honest Operation,and Considerate Service”,our business mainly focus on the distribution of electronic components. Line cards we deal with include Microchip,ALPS,ROHM,Xilinx,Pulse,ON,Everlight and Freescale. Main products comprise IC,Modules,Potentiometer,IC Socket,Relay,Connector.Our parts cover such applications as commercial,industrial, and automotives areas.

We are looking forward to setting up business relationship with you and hope to provide you with the best service and solution. Let us make a better world for our industry!



Contact us

Tel: +86-755-8981 8866 Fax: +86-755-8427 6832

Email & Skype: info@chipsmall.com Web: www.chipsmall.com

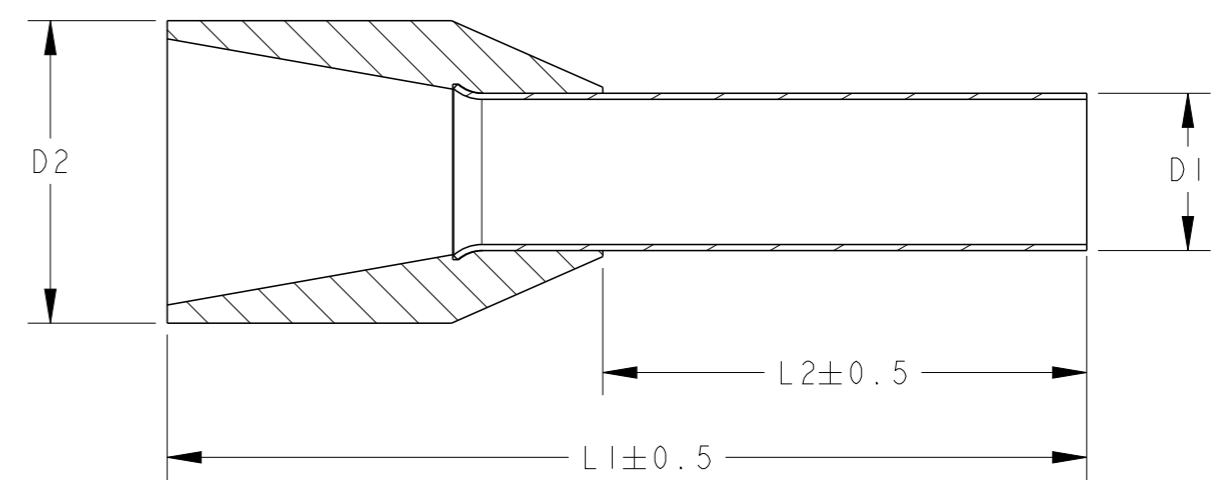
Address: A1208, Overseas Decoration Building, #122 Zhenhua RD., Futian, Shenzhen, China



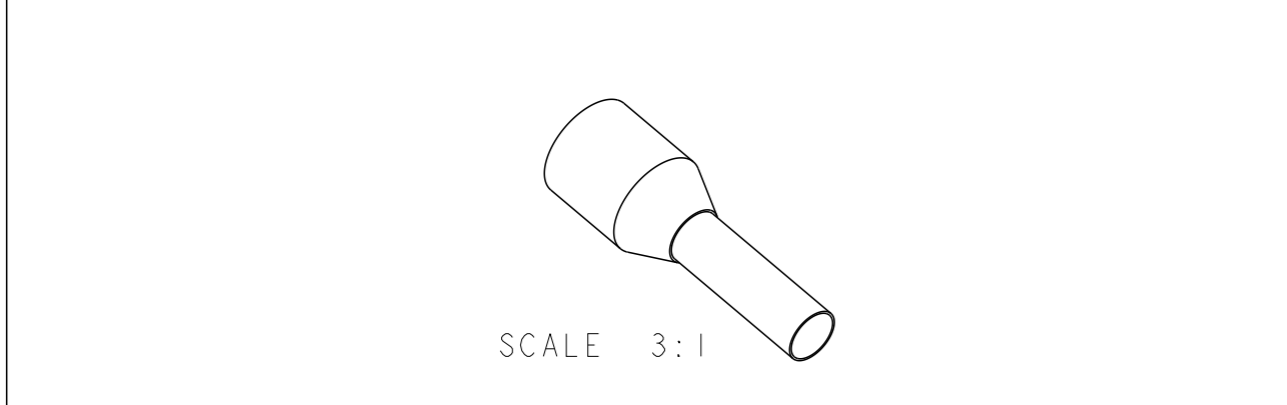
THIS DRAWING IS UNPUBLISHED. RELEASED FOR PUBLICATION
 © COPYRIGHT - ALL RIGHTS RESERVED.

LOC	DIST	REVISIONS			
P	LTR	DESCRIPTION	DATE	DWN	APVD
AL	2	A3	OBSOLESCENCE OF PN 737735-1, -2, -3	13AUG2014	KJK JK

PART NUMBER	SECTION mm2	L1	L2	D1	D2	COLOR	QTY/BAG
737730-1	0.5	12.0	6.0	1.0	2.6	WHITE	200
737730-2		14.0	8.0				
737730-3		16.0	10.0				
737731-1	0.75	12.0	6.0	1.2	2.8	GREY	200
737731-2		14.0	8.0				
737731-3		16.0	10.0				
737731-4		18.0	12.0				
737732-1	1.0	12.0	6.0	1.4	3.0	RED	200
737732-2		14.0	8.0				
737732-3		16.0	10.0				
737732-4	1.5	18.0	12.0	1.7	3.5	BLACK	200
737733-1		14.0	8.0				
737733-2		16.0	10.0				
737733-3	OBSOLETE	18.0	12.0	2.8	4.8	GREY	100
737733-4		24.0	18.0				
737734-1		14.0	8.0				
737734-2	2.5	18.0	12.0	2.2	4.2	BLUE	100
737734-3		24.0	18.0				
737735-1	4.0	17.0	10.0	2.8	4.8	GREY	100
737735-2		20.0	12.0				
737735-3		26.0	18.0				
737736-1	6.0	20.0	12.0	3.5	6.3	YELLOW	100
737736-2		26.0	18.0				
737737-1	10.0	22.0	12.0	4.5	7.6	RED	50
737737-2		28.0	18.0				
737738-1	16.0	24.0	12.0	5.8	8.8	BLUE	50
737738-2		28.0	18.0				
737739-1	25.0	30.0	16.0	7.3	11.2	YELLOW	50
737739-2		30.0	18.0				
737739-3		36.0	22.0				
737740-1	35.0	30.0	16.0	8.3	12.7	RED	25
737740-2		30.0	18.0				
737740-3		39.0	25.0				
737741-1	50.0	36.0	20.0	10.3	15.0	BLUE	25
737741-2		40.0	25.0				



- | | |
|--|---|
| 1. DIMENSIONS BASED ON
DIN 46228.4 | 1. DIMENSIONES BASADAS EN
DIN 46228.4 |
| 2. COLOR BASED ON DIN 47002 | 2. COLOR BASADO EN DIN 47002 |
| 3. USE HAND TOOL 790081-1
FOR 0.5-4.0 mm2. | 3. USAR HERRAMIENTA MANUAL
790081-1 PARA 0.5-4.0mm2. |
| USE HAND TOOL 790081-2
FOR 6.0-16.0 mm2 | USAR HERRAMIENTA MANUAL
790081-2 PARA 6.0-16.0mm2. |
| 4 FINISH FOR METAL SLEEVE:
TIN | 4 ACABADO PARA EL CASQUILLO
METALICO: ESTAÑADO. |
| 5 OBSOLETE PARTS: OBSOLETE
CIS STREAMLINING PER D.RENAUD/D.SINISI | |



THIS DRAWING IS A CONTROLLED DOCUMENT.		DWN F. J. CARBONELL 10JUL2001	TE Connectivity WIRE PIN	
DIMENSIONS: mm		CHK J. PASCUAL 10JUL2001		
TOLERANCES UNLESS OTHERWISE SPECIFIED:		APVD -	NAME	
0 PLC ±-	1 PLC ±0.3	PRODUCT SPEC 108-22049	SIZE	
2 PLC ±-	3 PLC ±-	APPLICATION SPEC -	CAGE CODE	DRAWING NO
4 PLC ±-	ANGLES ±-	WEIGHT -	A300779	C=737730
MATERIAL Cu-E PA 6.6	FINISH 4	Customer Drawing	RESTRICTED TO -	SCALE NTS
			SHEET 1	OF 1
			REV A3	