



Chipsmall Limited consists of a professional team with an average of over 10 year of expertise in the distribution of electronic components. Based in Hongkong, we have already established firm and mutual-benefit business relationships with customers from,Europe,America and south Asia,supplying obsolete and hard-to-find components to meet their specific needs.

With the principle of “Quality Parts,Customers Priority,Honest Operation,and Considerate Service”,our business mainly focus on the distribution of electronic components. Line cards we deal with include Microchip,ALPS,ROHM,Xilinx,Pulse,ON,Everlight and Freescale. Main products comprise IC,Modules,Potentiometer,IC Socket,Relay,Connector.Our parts cover such applications as commercial,industrial, and automotives areas.

We are looking forward to setting up business relationship with you and hope to provide you with the best service and solution. Let us make a better world for our industry!



Contact us

Tel: +86-755-8981 8866 Fax: +86-755-8427 6832

Email & Skype: info@chipsmall.com Web: www.chipsmall.com

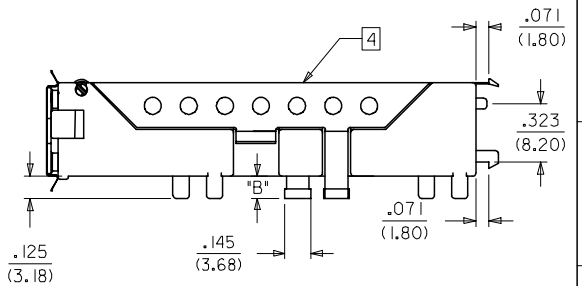
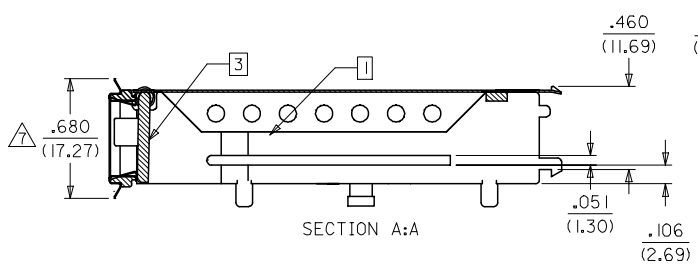
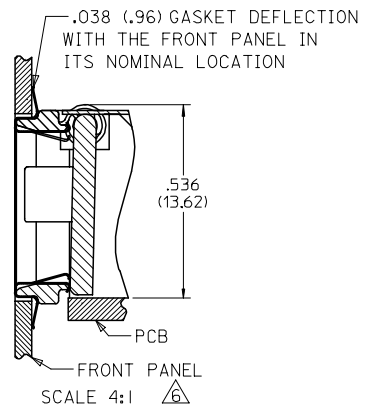
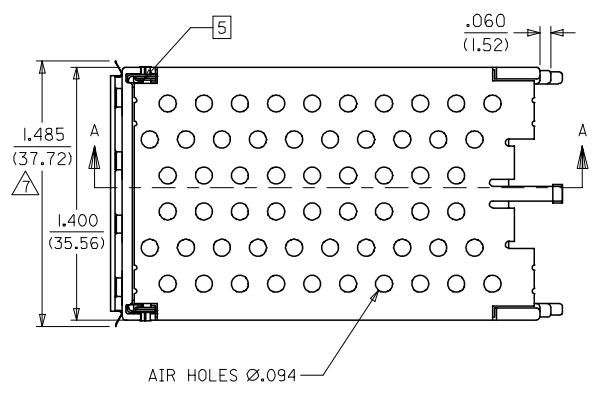
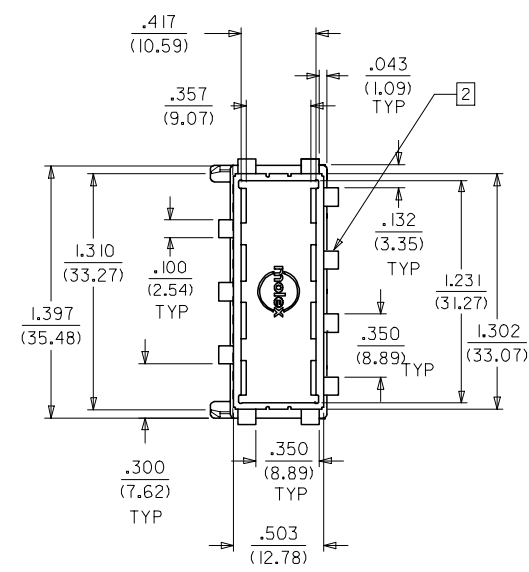
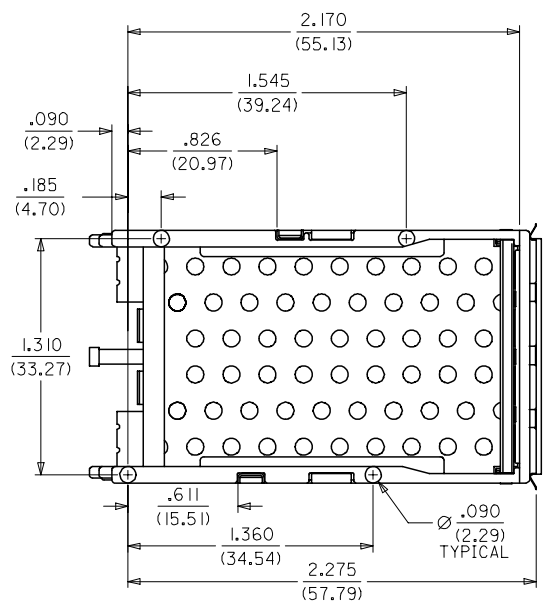
Address: A1208, Overseas Decoration Building, #122 Zhenhua RD., Futian, Shenzhen, China



13 12 11 10 9 8 7 6 5 4 3 2 1

J
I
H
G
F
E
D
C
B
A

J
I
H
G
F
E
D
C
B
A



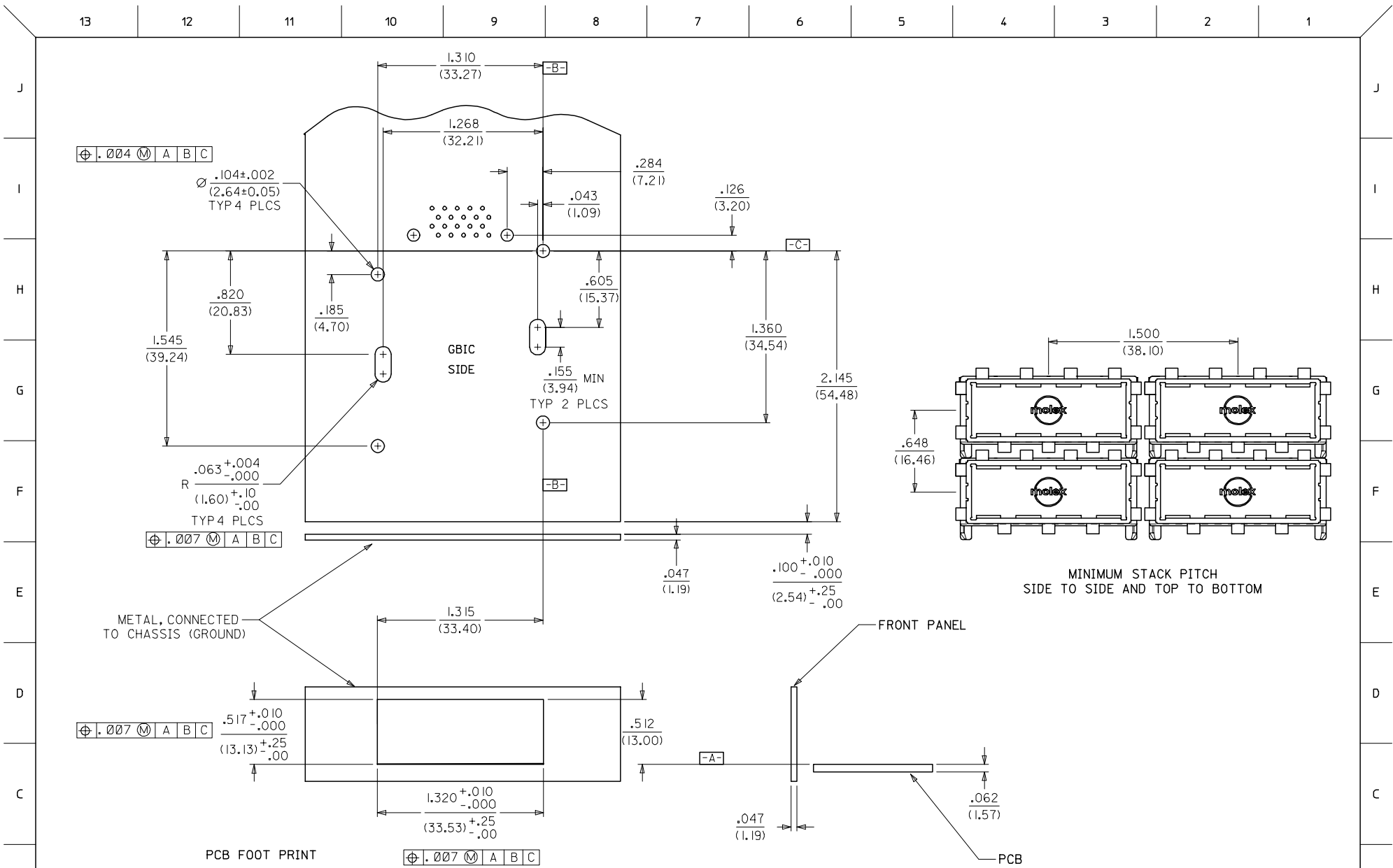
NOTES:

1. MAIN BODY, ZINC DIECAST, BRIGHT TIN PLATED
2. GASKET, STAMPED, PHOSPHER BRONZE, BRIGHT TIN PLATED
3. DOOR, ZINC DIECAST, BRIGHT NICKEL PLATED
4. EMI COVER, STAMPED BRASS ALLOY, BRIGHT TIN PLATED
5. TORTION SPRING, STAINLESS STEEL
- ⚠ BACK SIDE OF FRONT PANEL TO BE CONDUCTIVE.
- ⚠ MAXIMUM GASKET HEIGHT AND WIDTH WHEN INSERTED INTO FRONT PANEL, .682 AND 1.488 RESPECTIVELY.
- ⚠ -1001 VERSION DOES NOT HAVE THE MOLEX LOGO ON THE DOOR
- ⚠ DOOR IS BRIGHT TIN PLATED

⚠	.062 (1.57)	.123 (3.12)	73847-1007
	.093 (2.36)	.154 (3.91)	73847-0004
⚠	.100 (2.54)	.161 (4.09)	73847-0003
	.085 (2.16)	.146 (3.71)	73847-0002
⚠	.062 (1.57)	.123 (3.12)	73847-0001
	.062 (1.57)	.123 (3.12)	73847-1001
	PCB THICKNESS	"B"	PART NUMBER

ENTER DESCRIPTION EC NO: USY2007-0073 DRAWN: JERWIN 2006/09/05 CHKD: JERWIN 2006/09/05 APPR: DDOYE 2006/09/05 REVISIONS	QUALITY SYMBOLS	GENERAL TOLERANCES (UNLESS SPECIFIED)	DIMENSION STYLE	SCALE	DESIGN UNITS	THIRD ANGLE PROJECTION	
	▽=0 ▽=0	mm INCH 4 PLACES ± --- ± --- 3 PLACES ± --- ± .005 2 PLACES ± 0.13 ± --- 1 PLACE ± --- ± --- ANGULAR ± --- °	MM/IN	MM/IN	METRIC	⊗ □	
				DRAWN BY JERWIN DATE 2006/08/28		TITLE GBIC GUIDE ASSEMBLY	
				CHECKED BY DDOYE DATE 2006/08/28			
			APPROVED BY DDOYE DATE 2006/08/28				
		DRAFT WHERE APPLICABLE MUST REMAIN WITHIN DIMENSIONS	MATERIAL NO. SEE CHART	MOLEX INCORPORATED	DOCUMENT NO. SD-73847-001	SHEET NO. 1 OF 2	
			SIZE C	THIS DRAWING CONTAINS INFORMATION THAT IS PROPRIETARY TO MOLEX INCORPORATED AND SHOULD NOT BE USED WITHOUT WRITTEN PERMISSION			

12 11 10 9 8 7 6 5 4 3 2 1



MINIMUM STACK PITCH
SIDE TO SIDE AND TOP TO BOTTOM

PCB FOOT PRINT

FRONT PANEL

PCB

ENTER DESCRIPTION EC NO: USY2007-0073 DRAWN: JERWIN 2006/09/05 CHKD: JERWIN APPR: DDOYE 2006/09/05 REVISIONS 2006/09/05	QUALITY SYMBOLS =0 =0	GENERAL TOLERANCES (UNLESS SPECIFIED)		DIMENSION STYLE MM/IN		SCALE 1:1	DESIGN UNITS METRIC	THIRD ANGLE PROJECTION	
		4 PLACES ± --- ± ---	mm	INCH	DRAWN BY JERWIN	DATE 2006/08/28	TITLE GBIC GUIDE ASSEMBLY		
		3 PLACES ± --- ± .005			CHECKED BY DDOYE	DATE 2006/08/28	MOLEX INCORPORATED		
		2 PLACES ± 0.13 ± ---			APPROVED BY DDOYE	DATE 2006/08/28	MATERIAL NO. SEE CHART	DOCUMENT NO. SD-73847-001	SHEET NO. 2 OF 2
		1 PLACE ± --- ± ---		ANGULAR ± --- °		DRAFT WHERE APPLICABLE MUST REMAIN WITHIN DIMENSIONS			