



Chipsmall Limited consists of a professional team with an average of over 10 year of expertise in the distribution of electronic components. Based in Hongkong, we have already established firm and mutual-benefit business relationships with customers from,Europe,America and south Asia,supplying obsolete and hard-to-find components to meet their specific needs.

With the principle of "Quality Parts,Customers Priority,Honest Operation,and Considerate Service",our business mainly focus on the distribution of electronic components. Line cards we deal with include Microchip,ALPS,ROHM,Xilinx,Pulse,ON,Everlight and Freescale. Main products comprise IC,Modules,Potentiometer,IC Socket,Relay,Connector.Our parts cover such applications as commercial,industrial, and automotives areas.

We are looking forward to setting up business relationship with you and hope to provide you with the best service and solution. Let us make a better world for our industry!



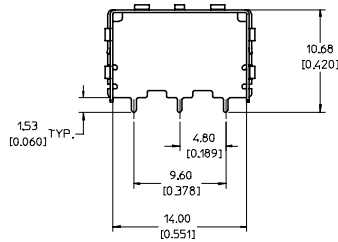
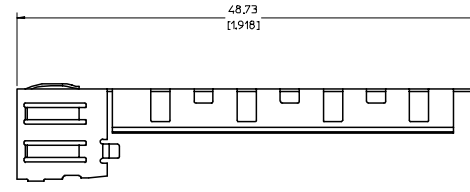
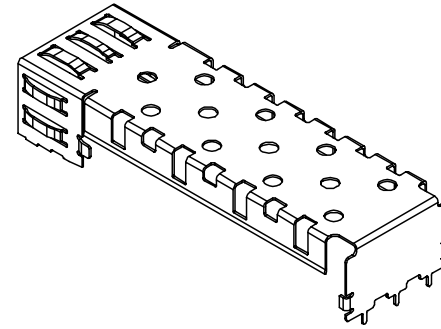
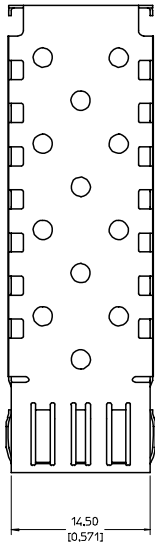
Contact us

Tel: +86-755-8981 8866 Fax: +86-755-8427 6832

Email & Skype: info@chipsmall.com Web: www.chipsmall.com

Address: A1208, Overseas Decoration Building, #122 Zhenhua RD., Futian, Shenzhen, China

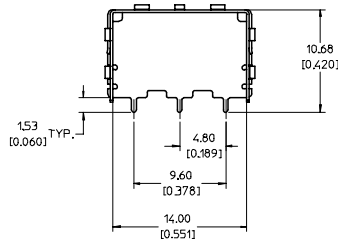
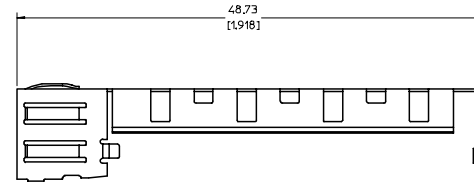
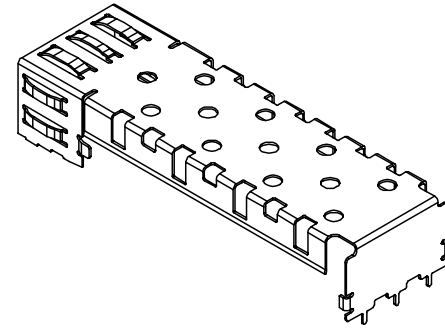
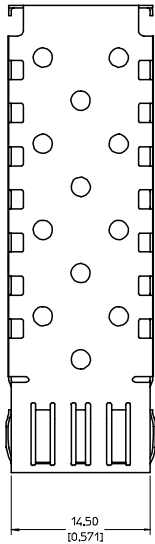




NOTES:

1. MATERIAL: COPPER ALLOY
2. PLATING: BRIGHT TIN
2.54 MICROMETERS TIN (MIN)
OVER 0.76 MICROMETERS (MIN) NICKEL
3. FOR DETAILS OF PCB AND BEZEL LAYOUT REFER TO DOCUMENT SD-73927-100.
4. THIS PRODUCT NOT INTENDED FOR LEAD FREE, (RoHS), REFLOW PROCESS.
REFLOW TEMPERATURE SHOULD NOT EXCEED 180°C
5. FOR RoHS COMPLIANT REPLACEMENTS REFER TO MOLEX SERIES 74737.

ENTER DESCRIPTION EC NO: UST2006-0264 DRWN:KJMONSON 2006/07/03 CHKD:BRUSSELL 2006/07/06 APPR:BRUSSELL 2006/07/24	QUALITY SYMBOLS	GENERAL TOLERANCES (UNLESS SPECIFIED)		DIMENSION STYLE		SCALE	DESIGN UNITS	THIRD ANGLE PROJECTION	
	$\nabla=0$ $\nabla=0$	mm	INCH	MM/IN		4:1	METRIC		
		4 PLACES ± --- ± ---	3 PLACES ± --- ± .005	2 PLACES ± 0.13 ± .01	1 PLACE ± 0.25 ± ---	DRAWN BY: KJMONSON CHECKED BY: BRUSSELL APPROVED BY: BRUSSELL	DATE: 2005/10/12 DATE: 2005/10/12 DATE: 2005/10/12	TITLE: SFP CAGE COVER	
		ANGULAR ± 1 °		MATERIAL NO. 739270020		DOCUMENT NO. SD-73927-0020		SHEET NO. 1 OF 1	
	DRAFT WHERE APPLICABLE MUST REMAIN WITHIN DIMENSIONS			THIS DRAWING CONTAINS INFORMATION THAT IS PROPRIETARY TO MOLEX INCORPORATED AND SHOULD NOT BE USED WITHOUT WRITTEN PERMISSION					



NOTES:

1. MATERIAL: COPPER ALLOY
2. PLATING: BRIGHT TIN
2.54 MICROMETERS TIN (MIN)
OVER 0.76 MICROMETERS (MIN) NICKEL
3. FOR DETAILS OF PCB AND BEZEL LAYOUT REFER
TO DOCUMENT SD-73927-100.
4. THIS PRODUCT NOT INTENDED FOR LEAD FREE, REFLOW PROCESS.
REFLOW TEMPERATURE SHOULD NOT EXCEED 180°C. FOR
REFLOW PROCESSES GREATER THAN 180°C, REFER TO MOLEX
SERIES 74737.

ENTER DESCRIPTION EC NO: 2006/0729 DRAWN BY: DORWYN COX CHKD: 2006/08/07 APPR: BRUSSELL 2006/08/15	QUALITY SYMBOLS ▽=0 ▽=0	GENERAL TOLERANCES (UNLESS SPECIFIED)		DIMENSION STYLE		SCALE	DESIGN UNITS	THIRD ANGLE PROJECTION	
		mm	INCH	MM/IN		4:1	METRIC		
REV	DESCRIPTION	4 PLACES ± --- ± ---		DRAWN BY	DATE	TITLE SFP CAGE COVER			
		3 PLACES ± --- ± .005		KS IMONSON	2005/10/12				
		2 PLACES ± 0.13 ± .01		CHECKED BY	DATE	MOLEX INCORPORATED			
		1 PLACE ± 0.25 ± ---		BRUSSELL	2005/10/12				
		ANGULAR ± 1 °		APPROVED BY	DATE	MATERIAL NO. 739270020 DOCUMENT NO. SD-73927-020 SHEET NO. 1 OF 1			
				BRUSSELL	2005/10/12				
DRAFT WHERE APPLICABLE MUST REMAIN WITHIN DIMENSIONS		SIZE	THIS DRAWING CONTAINS INFORMATION THAT IS PROPRIETARY TO MOLEX INCORPORATED AND SHOULD NOT BE USED WITHOUT WRITTEN PERMISSION						