



Chipsmall Limited consists of a professional team with an average of over 10 year of expertise in the distribution of electronic components. Based in Hongkong, we have already established firm and mutual-benefit business relationships with customers from,Europe,America and south Asia,supplying obsolete and hard-to-find components to meet their specific needs.

With the principle of “Quality Parts,Customers Priority,Honest Operation,and Considerate Service”,our business mainly focus on the distribution of electronic components. Line cards we deal with include Microchip,ALPS,ROHM,Xilinx,Pulse,ON,Everlight and Freescale. Main products comprise IC,Modules,Potentiometer,IC Socket,Relay,Connector.Our parts cover such applications as commercial,industrial, and automotives areas.

We are looking forward to setting up business relationship with you and hope to provide you with the best service and solution. Let us make a better world for our industry!



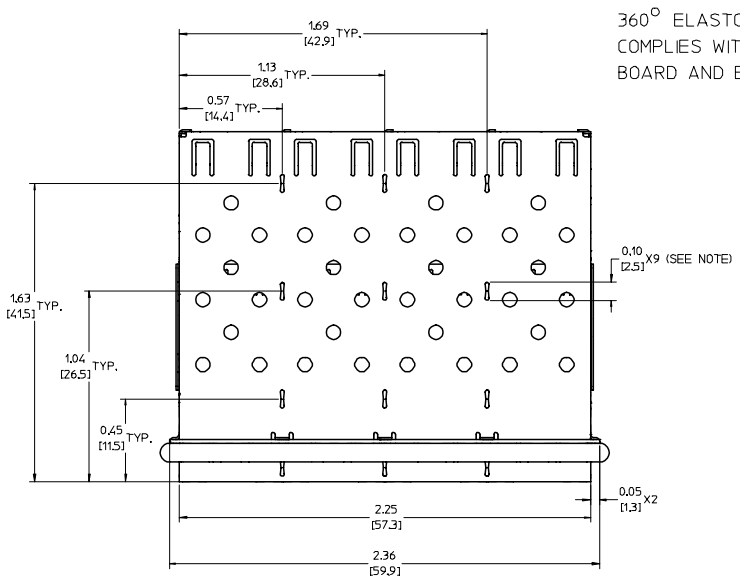
## Contact us

Tel: +86-755-8981 8866 Fax: +86-755-8427 6832

Email & Skype: info@chipsmall.com Web: www.chipsmall.com

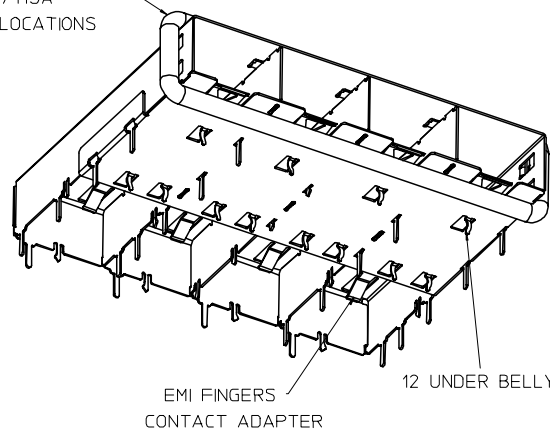
Address: A1208, Overseas Decoration Building, #122 Zhenhua RD., Futian, Shenzhen, China





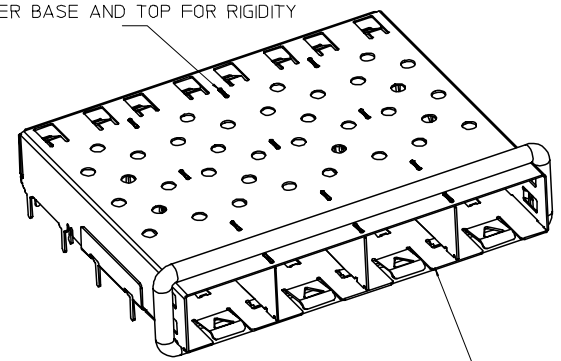
360° ELASTOMER GASKET  
COMPLIES WITH (SFP) MSA  
BOARD AND BEZEL LOCATIONS

INNER WALL TABS ARE COINED  
OVER BASE AND TOP FOR RIGIDITY



EMI FINGERS  
CONTACT ADAPTER

12 UNDER BELLY EMI PINS



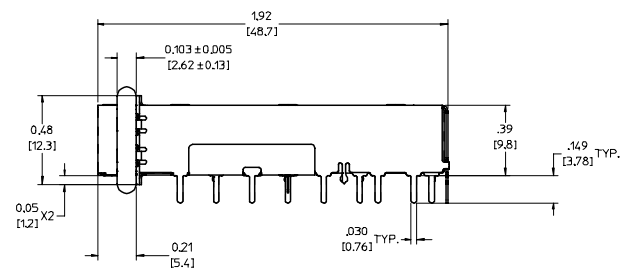
DIMENSIONS OF EACH INNER CAGE DESIGNED  
TO FUNCTION WITH SMALL FORM-FACTOR  
PLUGGABLE (SFP) TRANSCEIVER



NOTES:

1. SOLDER POSTS 0.149" LONG.
  2. MATERIAL: COPPER ALLOY  
PLATING: NONE
- NOTE: A NICKEL PLATED VERSION IS AVAILABLE.  
REFER TO DOCUMENT SD-74728-421.

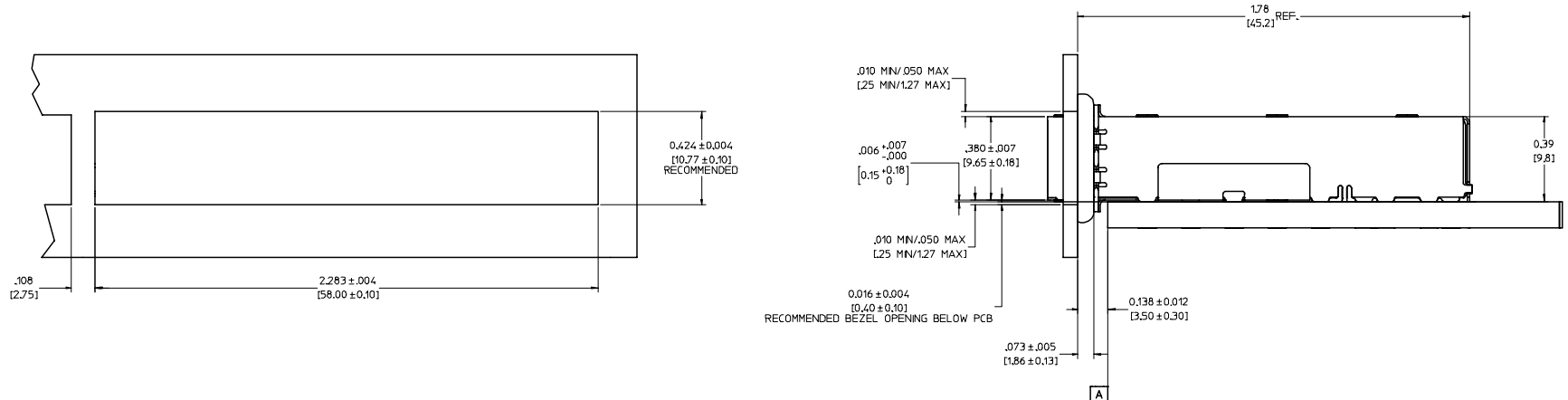
3. REFERENCE DOCUMENTS:  
PRODUCT SPECIFICATION: PS-74728-000  
COSMETIC SPECIFICATIONS: WI-HP-7-2774 AND WI-HPA-7-0093
4. THIS PART MEETS THE RESTRICTION OF HAZARDOUS SUBSTANCES IN  
ELECTRICAL AND ELECTRONIC EQUIPMENT (ROHS) DIRECTIVE (2002/95/EC).



ENTER DESCRIPTION EC NO. USY2006-0079 DRAWN BY TORWINKS MONSON 2006/01/17 CHECKED BY CHUCK BRUSSELL 2006/01/28 APPR. BRUSSELL 2006/01/28 DESCRIPTION	QUALITY SYMBOLS	GENERAL TOLERANCES (UNLESS SPECIFIED)	DIMENSION STYLE	SCALE	DESIGN UNITS	THIRD ANGLE PROJECTION
	▽=0 ▽=0	mm INCH 4 PLACES ± --- ± --- 3 PLACES ± --- ± .005 2 PLACES ± 0.13 ± .01 1 PLACE ± 0.25 ± --- ANGULAR ± 1 °	IN/MM DRAWN BY DATE KS IMONSO 2003/11/01 CHECKED BY DATE BRUSSELL 2003/11/01 APPROVED BY DATE BRUSSELL 2003/11/01	3:1	METRIC	TITLE 1X4 SFP GANGED CAGE ASSEMBLY W/ ELASTOMER GASKET, SOLDER POST MOLEX INCORPORATED
	DRAFT WHERE APPLICABLE MUST REMAIN WITHIN DIMENSIONS	MATERIAL NO. 739270412	DOCUMENT NO. SD-73927-412	SHEET NO. 1 OF 4		
	THIS DRAWING CONTAINS INFORMATION THAT IS PROPRIETARY TO MOLEX INCORPORATED AND SHOULD NOT BE USED WITHOUT WRITTEN PERMISSION					



BEZEL AND BOARD POSITION DIMENSIONS FOR SINGLE SIDE MOUNTING



<b>ENTER DESCRIPTION</b> EC NO: UST2006-0079 DRAWN BY: JORWANKS IMONSON 2006/01/17 CHECKED BY: CHFKBRUSSELL 2006/01/28 APPR: BRUSSELL 2006/01/28	<b>QUALITY SYMBOLS</b> ▽=0 ▽=0	<b>GENERAL TOLERANCES (UNLESS SPECIFIED)</b>		<b>DIMENSION STYLE</b> IN/MM		SCALE 4:1	DESIGN UNITS METRIC	THIRD ANGLE PROJECTION
		4 PLACES ± --- ± --- 3 PLACES ± --- ± .005 2 PLACES ± 0.13 ± .01 1 PLACE ± 0.25 ± --- ANGULAR ± 1 °	mm INCH	DRAWN BY KS IMONSON DATE 2003/11/01	CHECKED BY BRUSSELL DATE 2003/11/01	APPROVED BY BRUSSELL DATE 2003/11/01	TITLE 1X4 SFP GANGED CAGE ASSEMBLY W/ ELASTOMER GASKET, SOLDER POST	
DRAFT WHERE APPLICABLE MUST REMAIN WITHIN DIMENSIONS		MATERIAL NO. 739270412		DOCUMENT NO. SD-73927-412		MOLEX INCORPORATED		SHEET NO. 3 OF 4
THIS DRAWING CONTAINS INFORMATION THAT IS PROPRIETARY TO MOLEX INCORPORATED AND SHOULD NOT BE USED WITHOUT WRITTEN PERMISSION								

20 19 18 17 16 15 14 13 12 11 10 9 8 7 6 5 4 3 2 1

M  
L  
K  
J  
I  
H  
G  
F  
E  
D  
C  
B  
A

M  
L  
K  
J  
I  
H  
G  
F  
E  
D  
C  
B  
A

DATE	REV	CHANGES	COMMENTS
2003/11/11	1	PRELIMINARY DOCUMENT	N/A
2004/03/25	A	INITIAL RELEASE	N/A
2004/10/09	B	UPDATED VIEWS	DOCUMENT CHANGE ONLY
2005/10/07	C	ADDED PCB AND BEZEL DETAILS. UPDATED NOTES.	DOCUMENT CHANGE ONLY

<b>ENTER DESCRIPTION</b> EC NO: USY2006-0079 DRW: KJIMONSON 2006/01/17 CHK: CBRUSSELL 2006/01/28 APPR: CBRUSSELL 2006/01/28	QUALITY SYMBOLS ▽=0 ▽=0	GENERAL TOLERANCES (UNLESS SPECIFIED)		DIMENSION STYLE IN/MM	SCALE 1:1	DESIGN UNITS METRIC	THIRD ANGLE PROJECTION		
		4 PLACES ± --- ± --- 3 PLACES ± --- ± .005 2 PLACES ± 0.13 ± .01 1 PLACE ± 0.25 ± ---	mm INCH	DRAWN BY KJIMONSON	DATE 2003/11/01	TITLE 1X4 SFP GANGED CAGE ASSEMBLY W/ ELASTOMER GASKET, SOLDER POST			
		ANGULAR ± 1 °	DRAFT WHERE APPLICABLE MUST REMAIN WITHIN DIMENSIONS	CHECKED BY BRUSSELL	DATE 2003/11/01	MOLEX INCORPORATED			
		APPROVED BY BRUSSELL	DATE 2003/11/01	MATERIAL NO. 739270412	DOCUMENT NO. SD-73927-412	SHEET NO. 4 OF 4			

THIS DRAWING CONTAINS INFORMATION THAT IS PROPRIETARY TO MOLEX INCORPORATED AND SHOULD NOT BE USED WITHOUT WRITTEN PERMISSION

19 18 17 16 15 14 13 12 11 10 9 8 7 6 5 4 3 2 1