



Chipsmall Limited consists of a professional team with an average of over 10 year of expertise in the distribution of electronic components. Based in Hongkong, we have already established firm and mutual-benefit business relationships with customers from,Europe,America and south Asia,supplying obsolete and hard-to-find components to meet their specific needs.

With the principle of “Quality Parts,Customers Priority,Honest Operation,and Considerate Service”,our business mainly focus on the distribution of electronic components. Line cards we deal with include Microchip,ALPS,ROHM,Xilinx,Pulse,ON,Everlight and Freescale. Main products comprise IC,Modules,Potentiometer,IC Socket,Relay,Connector.Our parts cover such applications as commercial,industrial, and automotives areas.

We are looking forward to setting up business relationship with you and hope to provide you with the best service and solution. Let us make a better world for our industry!



Contact us

Tel: +86-755-8981 8866 Fax: +86-755-8427 6832

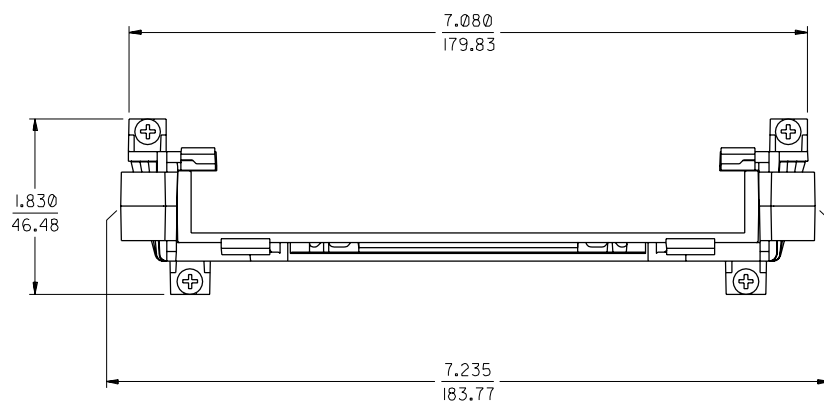
Email & Skype: info@chipsmall.com Web: www.chipsmall.com

Address: A1208, Overseas Decoration Building, #122 Zhenhua RD., Futian, Shenzhen, China



NOTES:

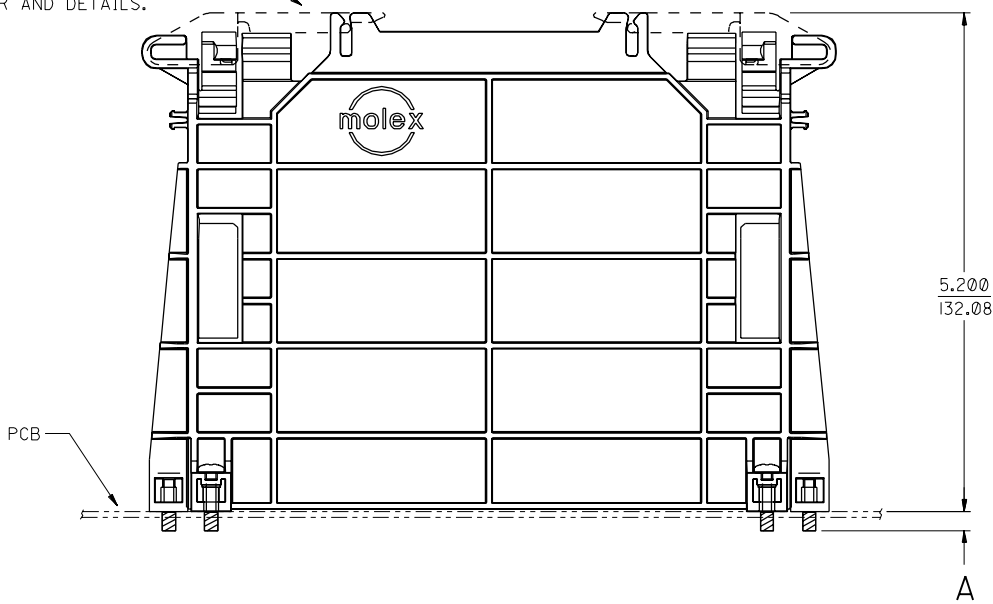
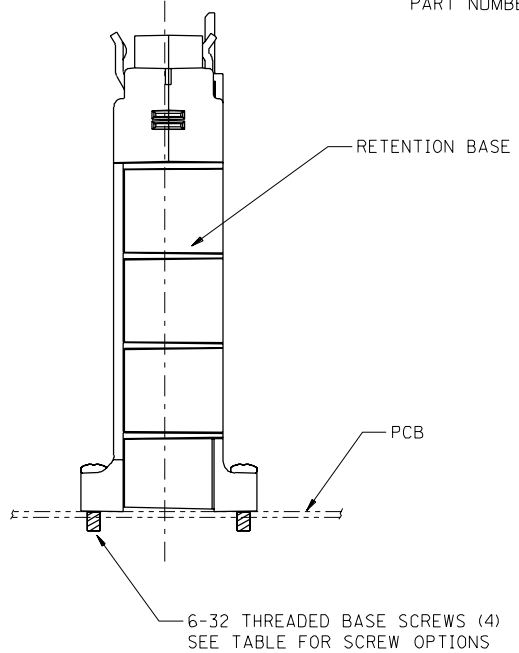
1. MATERIALS:
 BASE SCREWS - STEEL
 ALL OTHERS - THERMOPLASTIC
 COLOR: BLACK
2. FINISH: BASE SCREWS - NI PLATED
3. PRODUCT SPECIFICATION: PS-73940-999
4. APPLICATION SPECIFICATION: AS-73940-997
5. THIS HARDWARE PACKAGE IS FOR USE WITH MOLEX SLOT 2 CONNECTOR AND INTEL PENTIUM II XEON (DS2P) CARTRIDGE.
6. SEE SHEET 2 FOR PC BOARD HOLE PATTERN AND EXPLODED ASSEMBLY VIEW.



← THERMAL PLATE SIDE OF CARTRIDGE

CL OF CONNECTOR

LATCHES (NOT INCLUDED) MUST BE MOUNTED IN THE HOLES IN THE CARTRIDGE. SEE DRAWING SD-73973-001 FOR LATCH PART NUMBER AND DETAILS.



SHORT	73940-0001	73975-0001	.200/5.08
LONG	73940-0002	73975-0002	.600/15.24
SCREW OPTION	ASSEMBLY NO.	SCREW NO.	A

REVISED PER EC No. UDT2000-0027 DRWN: MCGOWAN 99/07/13 CHK: RESENDEZ 99/07/13 APPR: NELSON 99/07/13	QUALITY SYMBOLS MAJOR = = 0 CRITICAL = = 0	GENERAL TOLERANCES: (UNLESS SPECIFIED) mm INCH 4 PLACES ±0. -- ±. -- 3 PLACES ±0. -- ±.015 2 PLACES ±0.38 ±. -- 1 PLACE ±0. -- ±. -- ANGULAR: ± 1/2°	SCALE 1:1 DESIGN UNITS <input type="checkbox"/> mm <input checked="" type="checkbox"/> INCH DRAWN BY & DATE LAURX 98/01/06 CHECKED BY & DATE LAURX 98/01/06 APPROVED BY & DATE NELSON 98/01/07	DIMENSIONS: <input type="checkbox"/> mm <input checked="" type="checkbox"/> INCH <input type="checkbox"/> mm ONLY THIRD ANGLE PROJECTION TITLE: SLOT 2 - SRM MODULE SUPPORT HARDWARE SALES DRAWING MOLEX INCORPORATED	SHEET NO. 2 OF 2 REV B REVISE ON CAD ONLY	
	CAD FILENAME S7394001.DGN	MATERIAL NO. SEE TABLE	DRAWING NO. SD-73940-001	SHEET NO. 1 OF 2 SIZE C		
	DRAFT WHERE APPLICABLE MUST REMAIN WITHIN DIMENSIONS				THIS DRAWING CONTAINS INFORMATION THAT IS PROPRIETARY TO MOLEX INCORPORATED AND SHOULD NOT BE USED WITHOUT WRITTEN PERMISSION.	
	MOLEX INCORPORATED					

