



Chipsmall Limited consists of a professional team with an average of over 10 year of expertise in the distribution of electronic components. Based in Hongkong, we have already established firm and mutual-benefit business relationships with customers from,Europe,America and south Asia,supplying obsolete and hard-to-find components to meet their specific needs.

With the principle of “Quality Parts,Customers Priority,Honest Operation,and Considerate Service”,our business mainly focus on the distribution of electronic components. Line cards we deal with include Microchip,ALPS,ROHM,Xilinx,Pulse,ON,Everlight and Freescale. Main products comprise IC,Modules,Potentiometer,IC Socket,Relay,Connector.Our parts cover such applications as commercial,industrial, and automotives areas.

We are looking forward to setting up business relationship with you and hope to provide you with the best service and solution. Let us make a better world for our industry!



## Contact us

Tel: +86-755-8981 8866 Fax: +86-755-8427 6832

Email & Skype: info@chipsmall.com Web: www.chipsmall.com

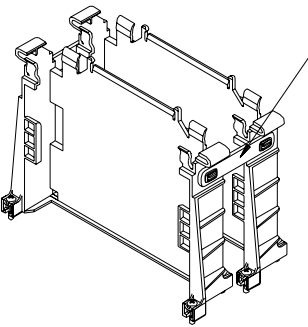
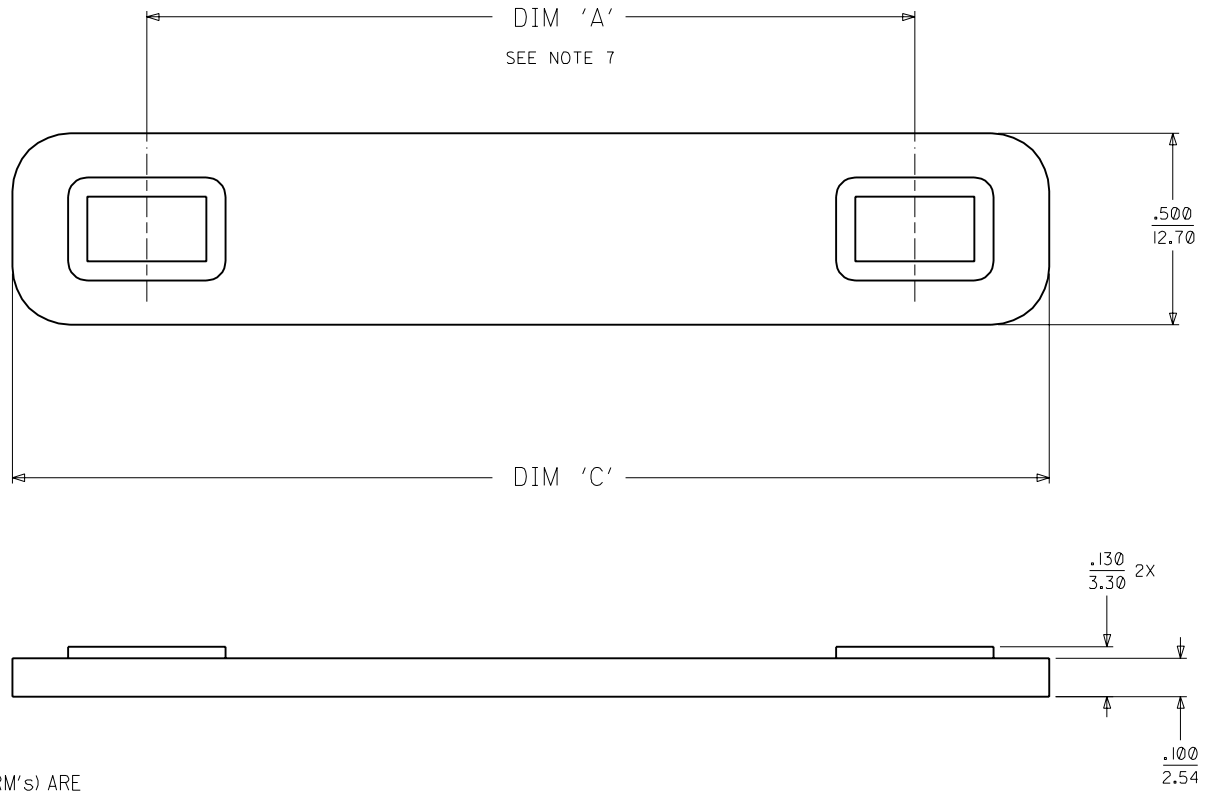
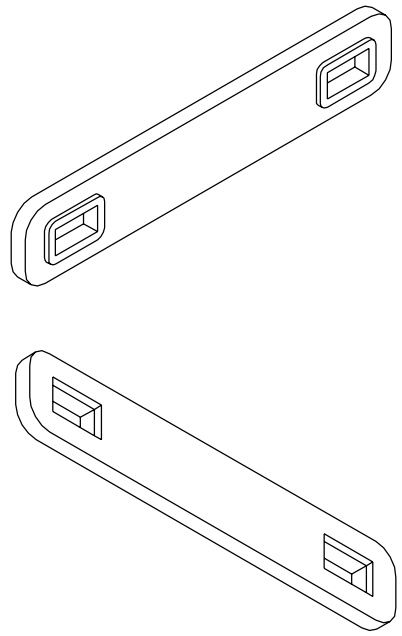
Address: A1208, Overseas Decoration Building, #122 Zhenhua RD., Futian, Shenzhen, China



NOTES:

1. MATERIAL: THERMOPLASTIC  
COLOR: BLACK
2. FINISH: NONE
3. PRODUCT SPECIFICATION: PS-73940-999
4. APPLICATION SPECIFICATION: AS-73940-997
5. THIS LINK IS FOR USE WITH MOLEX SRM BASE AND MOLEX SLOT 2 CONNECTOR.
6. LATCHES ARE BULK PACKED.
7. DIM 'A' IS EQUIVALENT TO THE CENTERLINE SPACING OF THE SLOT 2 CONNECTORS.

MATERIAL NUMBER	DIM 'A'	DIM 'C'
73974-0001	2.000	2.700
73974-0002	2.500	3.200
73974-0003	3.000	3.700
73974-0004	3.200	3.900



SINGLE RETENTION MECHANISMS (SRM's) ARE LINKED TOGETHER FOR ADDED STABILITY. LINKS ARE AVAILABLE FOR SEVERAL CENTERLINE SPACINGS. TWO LINKS ARE REQUIRED FOR EACH PAIR OF RETENTION MECHANISMS.

INITIAL RELEASE EC NO. UDT 1998-0325 DRWN: LAURX 98/06/02 CHK: LAURX 98/06/02 APPR: NELSON 98/06/05	QUALITY SYMBOLS MAJOR = ① CRITICAL = ②	GENERAL TOLERANCES: (UNLESS SPECIFIED) mm      INCH		SCALE 4 : 1 <input type="checkbox"/> mm <input checked="" type="checkbox"/> INCH	DESIGN UNITS <input checked="" type="checkbox"/> mm <input type="checkbox"/> INCH	DIMENSIONS: <input type="checkbox"/> mm <input checked="" type="checkbox"/> INCH <input type="checkbox"/> mm ONLY	SHT REV		
		DRAWN BY & DATE LAURX 98/06/02		CHECKED BY & DATE LAURX 98/06/02		TITLE: SLOT 2 SRM SUPPORT LINK SALES DRAWING			
		APPROVED BY & DATE NELSON 98/06/05		CAD FILENAME S7397402.DGN		MATERIAL NO. SEE CHART		DRAWING NO. SD-73974-002	
		DRAFT WHERE APPLICABLE MUST REMAIN WITHIN DIMENSIONS		ANGULAR: ± 1 °		MOLEX INCORPORATED		SHEET NO. 1 OF 1	
THIS DRAWING CONTAINS INFORMATION THAT IS PROPRIETARY TO MOLEX INCORPORATED AND SHOULD NOT BE USED WITHOUT WRITTEN PERMISSION.				SIZE C					