



Chipsmall Limited consists of a professional team with an average of over 10 year of expertise in the distribution of electronic components. Based in Hongkong, we have already established firm and mutual-benefit business relationships with customers from,Europe,America and south Asia,supplying obsolete and hard-to-find components to meet their specific needs.

With the principle of “Quality Parts,Customers Priority,Honest Operation,and Considerate Service”,our business mainly focus on the distribution of electronic components. Line cards we deal with include Microchip,ALPS,ROHM,Xilinx,Pulse,ON,Everlight and Freescale. Main products comprise IC,Modules,Potentiometer,IC Socket,Relay,Connector.Our parts cover such applications as commercial,industrial, and automotives areas.

We are looking forward to setting up business relationship with you and hope to provide you with the best service and solution. Let us make a better world for our industry!



Contact us

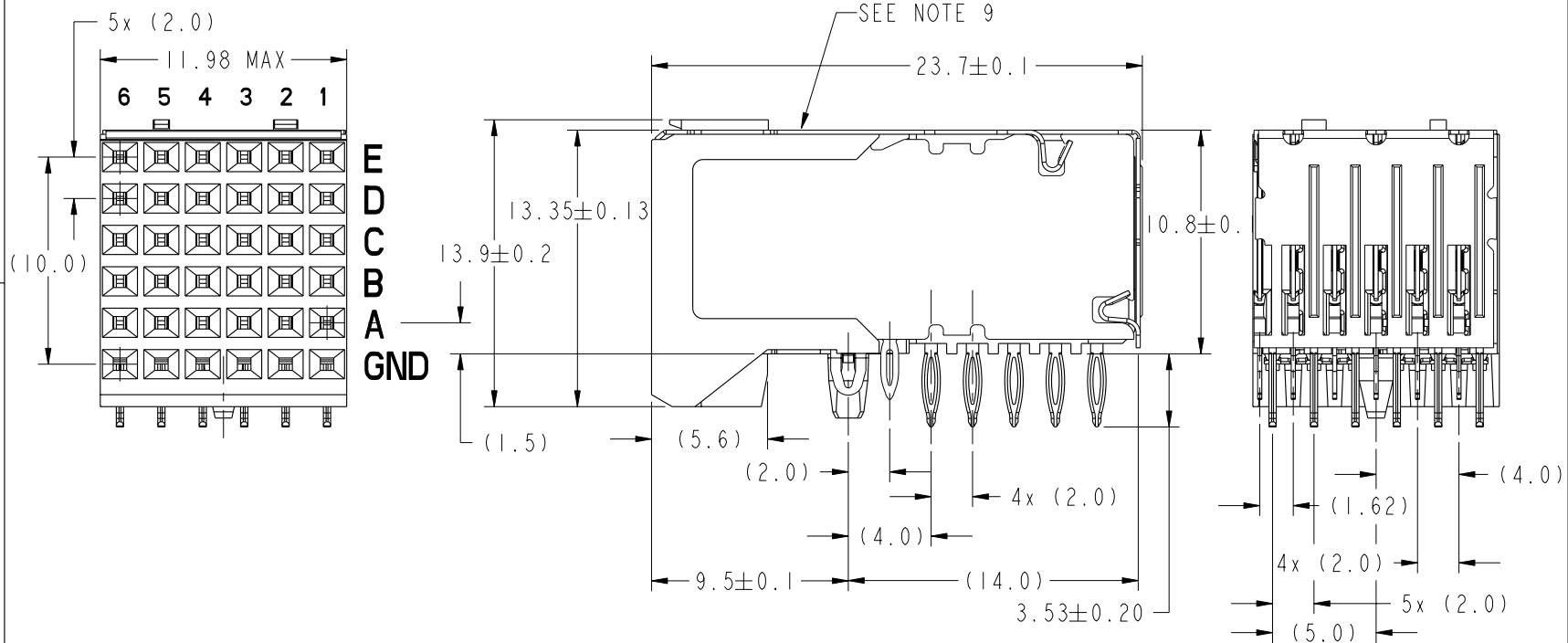
Tel: +86-755-8981 8866 Fax: +86-755-8427 6832

Email & Skype: info@chipsmall.com Web: www.chipsmall.com

Address: A1208, Overseas Decoration Building, #122 Zhenhua RD., Futian, Shenzhen, China



PRODUCT NUMBER	PLATING PERFORMANCE LEVEL	PRESS-FIT TAIL PLATING
73981-102	TELCORDIA CO	SnPb
73981-102LF		Sn (SEE NOTE 14)
73981-302	CUSTOMER SPECIAL	SnPb
73981-302LF		Sn (SEE NOTE 14)
73981-902	TELCORDIA CO	SnPb
73981-902LF		Sn (SEE NOTE 14)
73981-902S	CUSTOMER SPECIAL	SnPb
73981-902SLF		Sn (SEE NOTE 14)



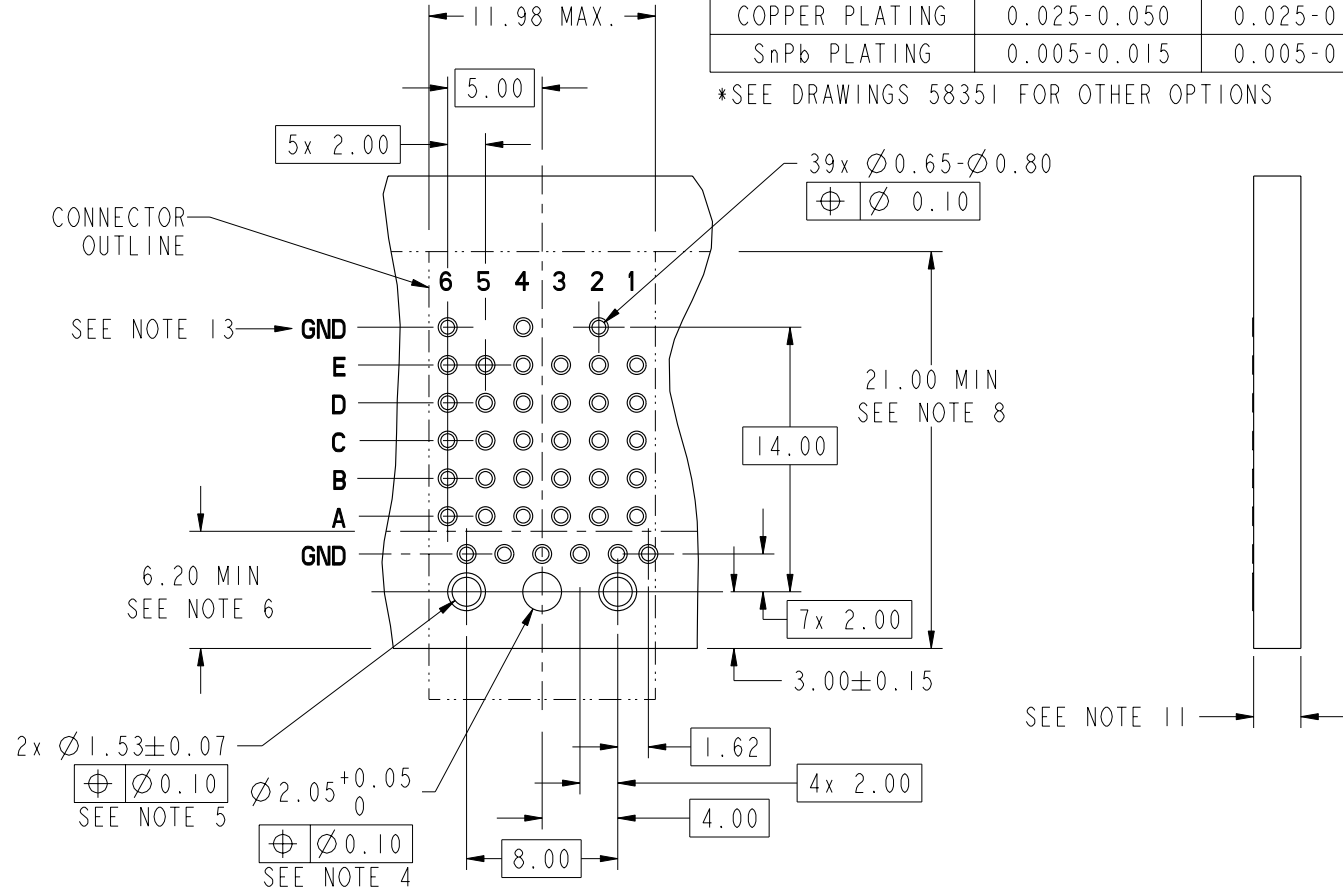
mat'l code SEE NOTE 2				tolerances unless otherwise specified		CUSTOMER	FCj www.fciconnect.com	
ltr	ecn no.	dr	date	linear	0.X ± 0.3	COPY	projection	title RIGHT ANGLE SIGNAL RECEPT. 5 ROW, 30 POSITION
AC	V06-0544	DCH	2006-06-09		0.XX ± 0.10	MM		
AD	V07-0352	HTB	2007-06-05	angles	0.XXX ± 0.050		scale	product family METRAL 1000 code
AE	V07-0430	DCH	2007-06-27		0° ± 2°	size		
AF	V07-0706	HTB	2007-12-10	dr	S. STONER		2000-06-30	sheet
-	-	-	-	enrg	W. J. SWAIN	2000-06-14	1 of 4	
AA	V05-0391	DAI	2005-04-25	chr	W. J. SWAIN	2001-05-21		A
AB	V05-0405	DAI	2005-05-16	appd	W. J. SWAIN	2001-05-21	73981	
sheet	revision	AF	AF	AF	AF			
index	sheet	1	2	3	4			

This document is the property of and embodies
 CONFIDENTIAL and PROPRIETARY information of FCj.
 No part of the information shown on this
 document may be used in any way or disclosed
 to others without the written consent of FCj.
 Copyright FCj.

PRODUCT NO.
SEE SHEET 1

PRESS-FIT HOLES		
HOLE DIAMETER AFTER PLATING	$\varnothing 0.65 - \varnothing 0.80$ *	$\varnothing 1.53$
DRILLED HOLE	$\varnothing 0.81 - \varnothing 0.86$ ($\varnothing 0.85$ DRILL)	$\varnothing 1.61 - \varnothing 1.66$ ($\varnothing 1.65$ DRILL)
COPPER PLATING	0.025-0.050	0.025-0.050
SnPb PLATING	0.005-0.015	0.005-0.015

*SEE DRAWINGS 58351 FOR OTHER OPTIONS



RECOMMENDED PCB HOLE PATTERN-COMPONENT SIDE

mat'l code SEE NOTE 2				tolerances unless otherwise specified		CUSTOMER	FCj www.fciconnect.com		
ltr	ecr no.	dr	date	linear	0.X ± 0.3	COPY	title		
AF				0.XX ± 0.10	projection	RIGHT ANGLE SIGNAL RECEPT. 5 ROW, 30 POSITION			
				angles	0.XXX ± 0.050	MM	product family	METRAL 1000	code
				dr	0° ± 2°		size	dwg no	213
				enr	S. STONER 2000-06-30	scale 1:1	A	73981	sheet
				chr	W. J. SWAIN 2000-06-14		2		
				appd	W. J. SWAIN 2001-05-21				
					W. J. SWAIN 2001-05-21				
sheet index	revision sheet						cage code	22526	4



This document is the property of and embodies CONFIDENTIAL and PROPRIETARY information of FCj. No part of the information shown on this document may be used in any way or disclosed to others without the written consent of FCj. Copyright FCj.

PRODUCT NUMBER
SEE SHEET 1

NOTES

- 1. UNLESS OTHERWISE SPECIFIED ALL DIMENSIONS AND TOLERANCES ARE IN ACCORDANCE WITH ASME Y14.5M, 1994
- 2. HOUSING MATERIAL: LIQUID CRYSTAL POLYMER, GLASS FILLED, FLAME RETARDANT PER UL94V-0
GROUND SHIELD MATERIAL: COPPER ALLOY
SIGNAL CONTACT MATERIAL: COPPER ALLOY
- 3. PLATING ON PRESS-FIT TAIL AREA: 73981-X02 IS SnPb, 73981-X02LF IS Sn (LEAD FREE)
- 4. Ø2.05 HOLE IS UNPLATED
- 5. Ø1.53 PLATED HOLES (2X) ARE FOR GROUNDS
- 6. AVOID TRACES IN THIS AREA ON TOP OF PCB DUE TO EXPOSED GROUND SHIELD
- 7. UNDERPLATING FOR SHIELD AND SIGNAL CONTACTS IS 1.3 µm Ni MIN
- 8. COMPONENT KEEP OUT ZONE FOR PRESS BLOCK CLEARANCE.
- 9. PRODUCT MARKING: PRODUCT NUMBER, DATE AND LOT CODE.
- 10. SEE GS-20-017 FOR APPLICATION OF CONNECTOR TO PCB.
- 11. PCB THICKNESS RANGE: 1.3mm TO 2.5mm
- 12. SEE PRODUCT SPECIFICATION GS-12-110 FOR PRODUCT PERFORMANCE CHARACTERISTICS.
- 13. THIS GROUND ROW OF VIA-HOLES ONLY REQUIRED FOR PREVIOUS REVISIONS OF THIS DESIGN WHERE THE TOP SHIELDS HAD EON PRESS-FIT. DUE TO INVENTORIES OF PREVIOUS VERSION WE RECOMMEND THEY BE DESIGNED IN.
- 14. THE PRODUCTS WHERE THE PART NUMBER ENDS IN LF MEET EUROPEAN DIRECTIVES AND OTHER COUNTRY REGULATIONS AS DESCRIBED IN GS-22-008. ALL PRODUCTS WILL WITHSTAND EXPOSURE TO 260° FOR 60 SECONDS IN A CONVECTION, INFRA-RED OR VAPOR PHASE REFLOW OVEN.

A

A



This document is the property of and embodies CONFIDENTIAL and PROPRIETARY information of FCI. No part of the information shown on this document may be used in any way or disclosed to others without the written consent of FCI. Copyright FCI.

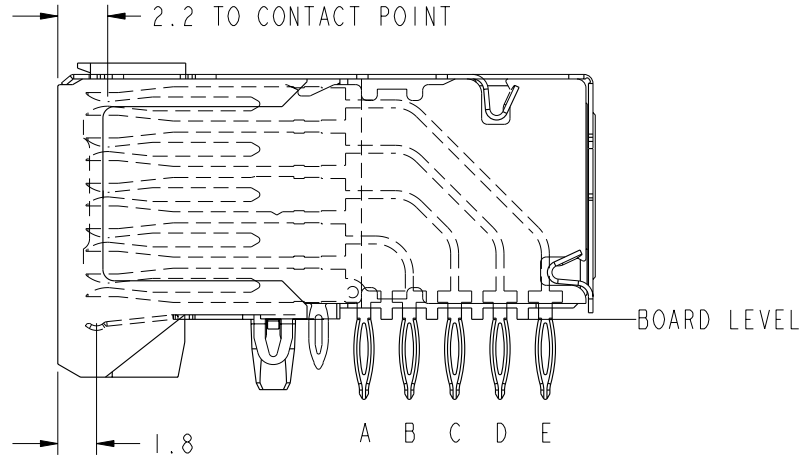
B

B

mat'l code SEE NOTE 2				tolerances unless otherwise specified		CUSTOMER	FCI www.fciconnect.com		
ltr	ecr no.	dr	date	linear	0.X ±0.3	COPY	title RIGHT ANGLE SIGNAL RECEPT. 5 ROW, 30 POSITION		
AF					0.XX ±0.10	projection			
					0.XXX ±0.050				
				angles	0° ±2°				
		dr	S. STONER	2000-06-30	MM ←→	product family	METRAL 1000	code	
		engr	W. J. SWAIN	2000-06-14		size	dwg no	213	
		chr	W. J. SWAIN	2001-05-21		scale	A	73981	sheet
		appd	W. J. SWAIN	2001-05-21		3:1			3
sheet index	revision sheet								

PRODUCT NUMBER
SEE SHEET 1

DISTANCE FROM CONTACT POINT TO BOARD	
CONTACT	DISTANCE
A	12.5
B	16.2
C	19.5
D	22.3
E	25.2



CONTACT POINT AND SKEW



This document is the property of and embodies
 CONFIDENTIAL and PROPRIETARY information of FCI.
 No part of the information shown on this
 document may be used in any way or disclosed
 to others without the written consent of FCI.
 Copyright FCI.

mat'l code SEE NOTE 2				tolerances unless otherwise specified		CUSTOMER		www.fciconnect.com	
ltr	ecr no.	dr	date	linear	0.X ± 0.3		COPY		title RIGHT ANGLE SIGNAL RECEPT. 5 ROW, 30 POSITION
AF					0.XX ± 0.10		projection		
					0.XXX ± 0.050				
				angles	0° ± 2°				
		dr	S. STONER	2000-06-30	MM		product family METRAL 1000		code
		engr	W. J. SWAIN	2000-06-14	← MM →		size		213
		chr	W. J. SWAIN	2001-05-21	scale		A		sheet
		appd	W. J. SWAIN	2001-05-21	3:1		73981		4
sheet index	revision sheet								