



Chipsmall Limited consists of a professional team with an average of over 10 year of expertise in the distribution of electronic components. Based in Hongkong, we have already established firm and mutual-benefit business relationships with customers from,Europe,America and south Asia,supplying obsolete and hard-to-find components to meet their specific needs.

With the principle of “Quality Parts,Customers Priority,Honest Operation,and Considerate Service”,our business mainly focus on the distribution of electronic components. Line cards we deal with include Microchip,ALPS,ROHM,Xilinx,Pulse,ON,Everlight and Freescale. Main products comprise IC,Modules,Potentiometer,IC Socket,Relay,Connector.Our parts cover such applications as commercial,industrial, and automotives areas.

We are looking forward to setting up business relationship with you and hope to provide you with the best service and solution. Let us make a better world for our industry!



## Contact us

Tel: +86-755-8981 8866 Fax: +86-755-8427 6832

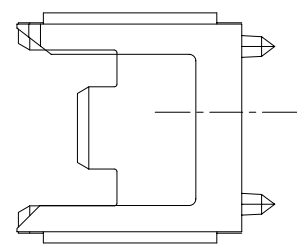
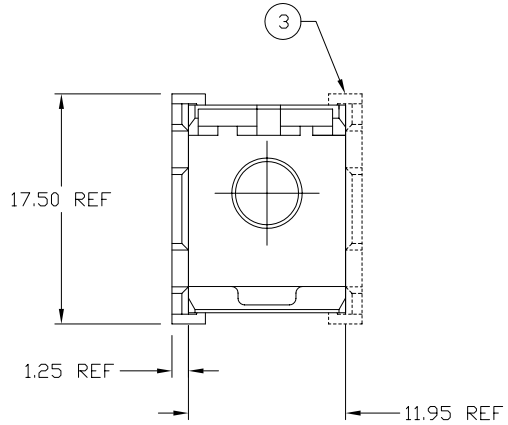
Email & Skype: info@chipsmall.com Web: www.chipsmall.com

Address: A1208, Overseas Decoration Building, #122 Zhenhua RD., Futian, Shenzhen, China



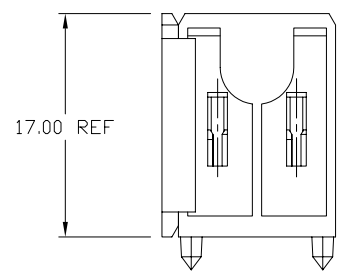
PRODUCT NUMBER	STATUS	APPLICATION	NOTES
73996-001	OBSOLETE	5 ROW HEADER	7,8
73996-002	ACTIVE (SEE SHT 1)	4 ROW SHROUD	
73996-011	ACTIVE (SEE SHT 2)	5 ROW HEADER	
73996-012	ACTIVE (SEE SHT 3)	5 ROW THICK CARD HEADER	
73996-013	ACTIVE (SEE SHT 4)	5 ROW HEADER (CUSTOMER SPECIAL)	

⑥ -002 CAN BE APPLIED TO:	
HYBRID HEADER HOUSING P/N	SHROUD P/N
88911	70203
88913	89028



73996-002

- NOTES
- 1-MATERIAL-NYLON 30% GLASS-FILLED FLAME RETARDANT ACC. UL 94-VO COLOR-NATURAL
  - 2-SHOWN WITH, A METRAL 4-ROW, 88911-101, 12MM HYBRID HEADER HOUSING, WHICH MUST BE ORDERED SEPARATELY.
  - ③-END WALL CAN BE USED ON EITHER SIDE OF HEADER
  - 4-ENDWALL CAN ALSO BE USED WITH STANDARD METRAL 4-ROW SHROUDS
  - 5-REFERENCE PRODUCT SPEC GS-12-199.
  - ⑥-THIS TABLE IS NOT A COMPLETE LISTING BUT REPRESENTS APPLICABLE PRODUCT OFFERINGS. FOR OTHER PRODUCT OFFERINGS, CONTACT YOUR LOCAL FCI OFFICE.
  - ⑦-ADD "LF" SUFFIX AT THE END OF PART NUMBER FOR LEAD FREE OPTION.
  - ⑧-THIS PRODUCT MEETS EUROPEAN UNION DIRECTIVES AND OTHER COUNTRY REGULATION AS DESCRIBED IN GS-22-008.
  - 9-THE HOUSING WILL WITHSTAND EXPOSURE TO 260°C PEAK TEMPERATURE FOR 15 SECONDS IN A WAVE SOLDER APPLICATION WITH A 1.5mm MINIMUM THICK CIRCUIT BOARD. SEE APPLICATION NOTES/PROCEDURES IF THEY ARE AVAILABLE.



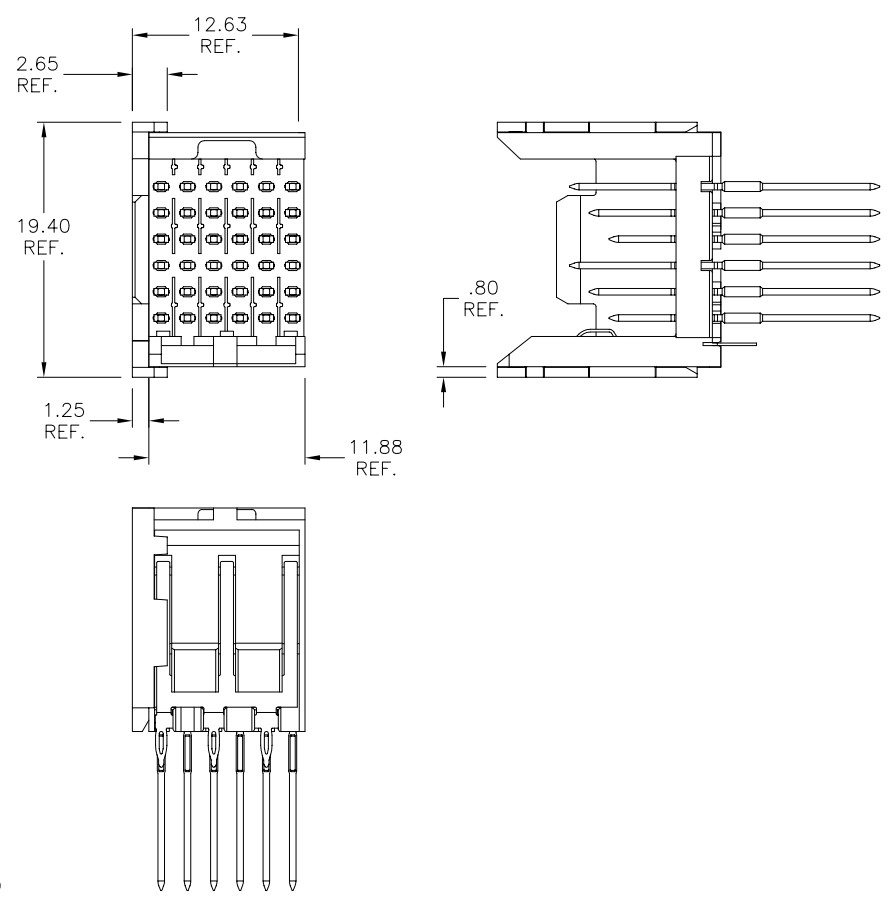
mat'l. code		surface ISO 1302 ✓		tolerance ISO 406 ISO 1101		projection MM		product family METRAL ACC.	
ltr		ecn no		date		tolerances unless otherwise specified		title	
A	V80952	GCR	6/3/98	angles		linear		HEADER/SHROUD END WALL	
B	V02723	JRV	11/2/00					scale 1:1	
C	V02783	JWS	11/29/00					dwg no	
D	V11167	RPM	4/9/01	dr	C.DAILY	12/18/01	sheet 1 of 3		size
E	V12829	CGD	12/18/01	engr	B.MATTHEWS	12/18/01	73996		A3
F	M06-0353	MHT	9/06/06	chr	B.MATTHEWS	12/18/01	type		Product Customer Drawing
sheet index		revision		F	F	F			
		sheet		1	2	3			



Copyright FCI

PRODUCT NUMBER	APPLICATION
73996-011	5 ROW HEADER & SHROUD

⑥ -011 CAN BE APPLIED TO:	
HEADER P/N	SHROUD P/N
55406	52000
73983	73475
74977	73993
84817	74773
85834	84621
85854	84818
89006	89055
89007	98161
89008	-
89009	-
89099	-



- NOTES
- 1-MATERIAL-NYLON 30% GLASS-FILLED  
FLAME RETARDANT ACC. UL 94-VO  
COLOR-NATURAL
  - 2-SHOWN WITH, A METRAL 1000 5-ROW, 12MM HEADER,  
WHICH MUST BE ORDERED SEPARATELY
  - 3-END WALL CAN BE USED ON EITHER SIDE OF HEADER
  - 4-ENDWALL CAN ALSO BE USED WITH STANDARD METRAL  
5-ROW HEADERS & SHROUDS
  - 5-REFERENCE PRODUCT SPEC GS-12-199.
  - ⑥ THIS TABLE IS NOT A COMPLETE LISTING BUT  
REPRESENTS APPLICABLE PRODUCT OFFERINGS.  
FOR OTHER PRODUCT OFFERINGS, CONTACT YOUR  
LOCAL FCJ OFFICE.

73996-011

mat'l. code		surface ISO 1302		tolerance ISO 406 ISO 1101		projection MM		product family METRAL ACC.	
ltr	ecn	no	dr	date		tolerances unless otherwise specified		title HEADER/SHROUD END WALL	
F						angles	linear	scale 1:1	
sheet index		revision sheet		dr		C.DAILY		12/18/01	
				enrg		B.MATTHEWS		12/18/01	
				chr		B.MATTHEWS		12/18/01	
				appd		B.MATTHEWS		12/18/01	
								FCJ	
								dwg no	
								73996	
								sheet 2 of 3 size	
								A3	
								type	
								Product Customer Drawing	

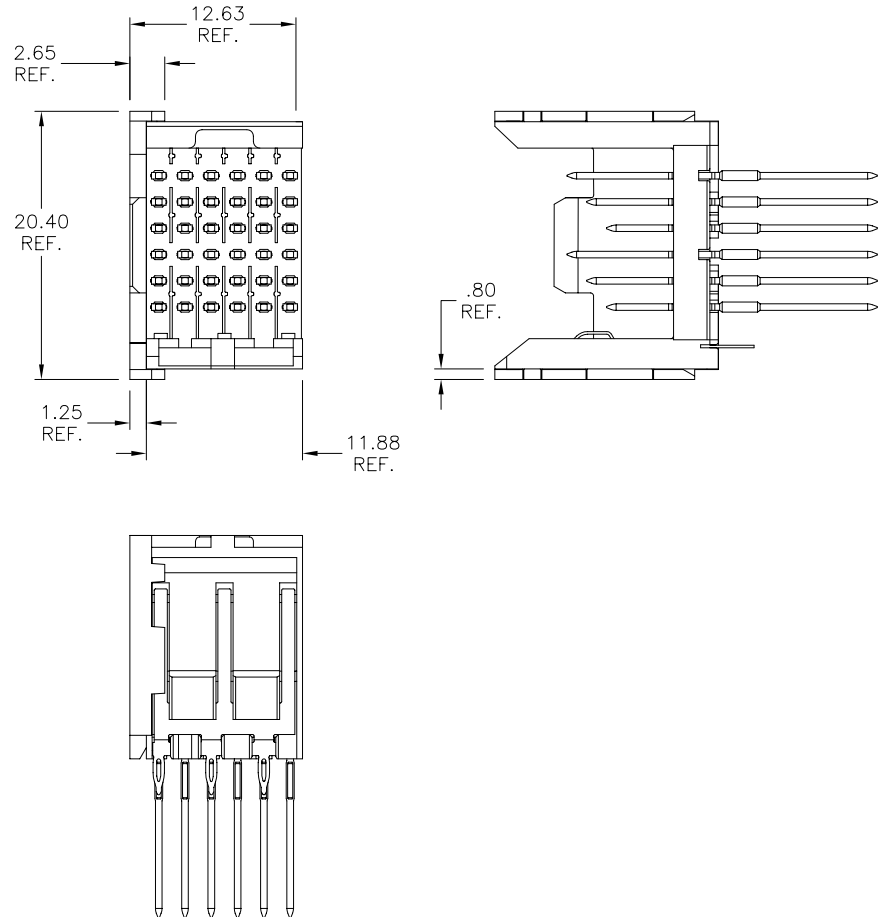


FCJconnect.com

Copyright FCJ

PRODUCT NUMBER	APPLICATION
73996-012	5 ROW THICK CARD HEADER

⑥ -012 CAN BE APPLIED TO:	
HEADER P/N	SHROUD P/N
84881	84882
84809	84811



NOTES

- 1-MATERIAL-NYLON 30% GLASS-FILLED  
FLAME RETARDANT ACC. UL 94-VO  
COLOR-NATURAL
- 2-SHOWN WITH, A METRAL 1000 5-ROW, 12MM HEADER,  
WHICH MUST BE ORDERED SEPARATELY
- 3-END WALL CAN BE USED ON EITHER SIDE OF HEADER
- 4-ENDWALL CAN ALSO BE USED WITH STANDARD METRAL  
5-ROW THICK CARD HEADERS & SHROUDS
- 5-REFERENCE PRODUCT SPEC GS-12-199.

⑥ THIS TABLE IS NOT A COMPLETE LISTING BUT REPRESENTS APPLICABLE PRODUCT OFFERINGS. FOR OTHER PRODUCT OFFERINGS, CONTACT YOUR LOCAL FCI OFFICE.

73996-012

mat'l. code		surface ISO 1302 ✓		tolerance ISO 406 ISO 1101		projection ⊕		product family METRAL ACC.	
ltr	ecn	no	dr	date		tolerances unless otherwise specified		title	
F						angles linear		HEADER/SHROUD END WALL	
						MM			
						scale 1:1		dwg no	
						FCJ		sheet 3 of 3 size	
								73996 A3	
								type Product Customer Drawing	
sheet index	revision sheet								

FCJ  
FCIconnect.com  
Copyright FCI