



Chipsmall Limited consists of a professional team with an average of over 10 year of expertise in the distribution of electronic components. Based in Hongkong, we have already established firm and mutual-benefit business relationships with customers from,Europe,America and south Asia,supplying obsolete and hard-to-find components to meet their specific needs.

With the principle of “Quality Parts,Customers Priority,Honest Operation,and Considerate Service”,our business mainly focus on the distribution of electronic components. Line cards we deal with include Microchip,ALPS,ROHM,Xilinx,Pulse,ON,Everlight and Freescale. Main products comprise IC,Modules,Potentiometer,IC Socket,Relay,Connector.Our parts cover such applications as commercial,industrial, and automotives areas.

We are looking forward to setting up business relationship with you and hope to provide you with the best service and solution. Let us make a better world for our industry!



Contact us

Tel: +86-755-8981 8866 Fax: +86-755-8427 6832

Email & Skype: info@chipsmall.com Web: www.chipsmall.com

Address: A1208, Overseas Decoration Building, #122 Zhenhua RD., Futian, Shenzhen, China



FEATURES

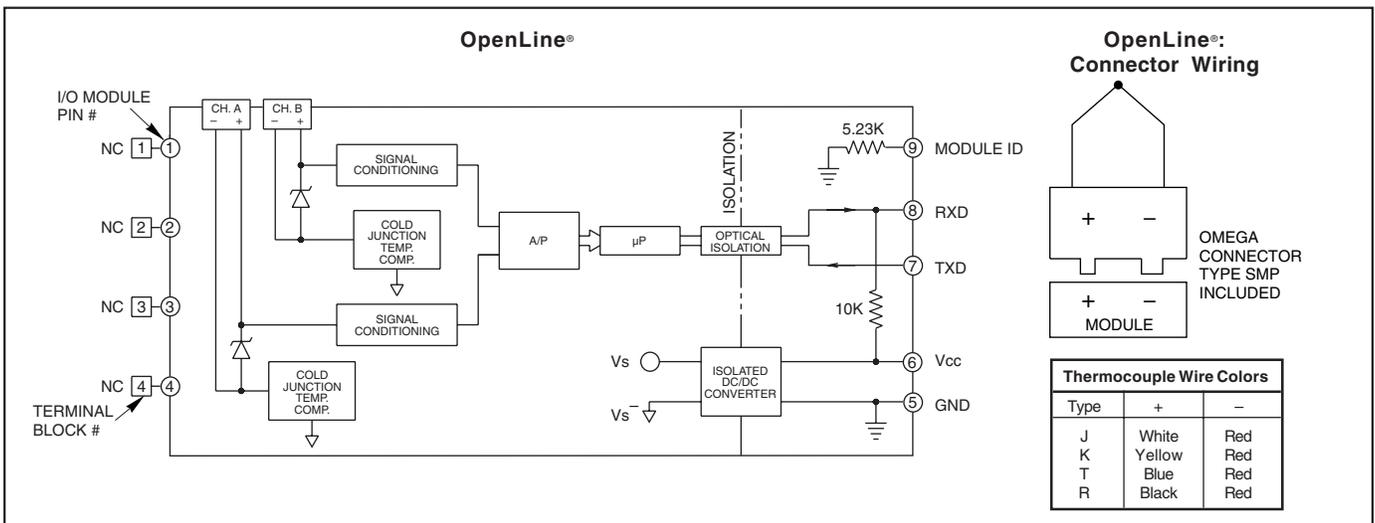
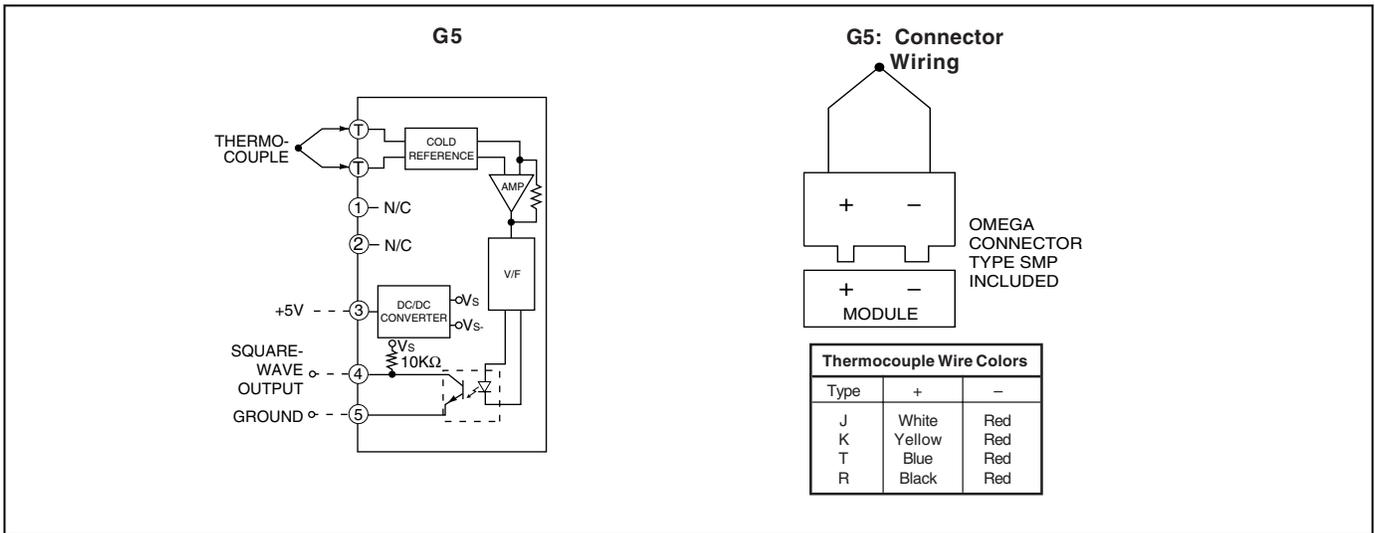
- Wide Variety of Input Types
- Standard Package and Pin-out
- Single 5V Power Supply
- 12-Bit Resolution
- Optical Isolation from Input to Output
- Cold Junction Temperature Compensated Connector Included
- Intermix With G5 Digital Modules on the Same Rack
- Meets the Requirements of IEEE 472
- UL, CSA, CE Certified (OpenLine only)



73L-IT

73G-IT

CIRCUITRY



SPECIFICATIONS: By Part Number

| Type/Function | | Grayhill Part Number | | | |
|---|----------|-----------------------|----------------------------|-----------------------|---------------------------|
| G5 | | 73G-ITCJ | 73G-ITCK | 73G-ITCR | 73G-ITCT |
| Specifications | Units | | | | |
| Number of Inputs | | 1 Ch. | 1 Ch. | 1 Ch. | 1 Ch. |
| Resolution | bits | 12 | 12 | 12 | 12 |
| Absolute Accuracy @ 25°C ^{1,2} | °C/count | 0.18 | 0.25 | 0.23 | 0.10 |
| Accuracy Drift w/Temp. ² | °C | +/- 3.0 | +/- 3.0 | +/- 3.0 | +/- 3.0 |
| Maximum Offset | PPM/°C | +/- 100 | +/- 100 | +/- 100 | +/- 100 |
| Maximum Gain (0 to 60°C) | PPM/°C | +/- 55 | +/- 55 | +/- 55 | +/- 55 |
| Serial Data Format | | 12-bit packet | 12-bit packet | 12-bit packet | 12-bit packet |
| Serial Data Packet | | — | — | — | — |
| Step Response Time ³ | mS | 2.5 | 2.5 | 2.5 | 2.5 |
| Input Temperature Range | °C (°F) | 0 to 700 (32-1292) | -100 to 924 (-148-1695) | 0 to 960 (32-1760) | -200 to 224 (-328-435) |
| Maximum Overload | V | — | — | — | — |
| Logic Voltage Range | Vdc | 4.5 to 5.5 | 4.5 to 5.5 | 4.5 to 5.5 | 4.5-5.5 |
| Maximum Logic Supply Current @ 5V dc | mA/Ch. | 150 | 150 | 150 | 150 |
| Module ID (Pin 9) | KΩ | — | — | — | — |
| Isolation Voltage | | | | | |
| Field to Logic | Vrms | 2500 | 2500 | 2500 | 2500 |
| Field to Power | Vrms | 2500 | 2500 | 2500 | 2500 |
| Module to Module | Vrms | 2500 | 2500 | 2500 | 2500 |
| Channel A to Channel B | | — | — | — | — |
| Environmental Conditions | | | | | |
| Operating Temperature ³ | °C | 0 to 60 | 0 to 60 | 0 to 60 | 0-60 |
| Storage Temperature | °C | -25 to 85 | -25 to 85 | -25 to 85 | -25-85 |

| Type/Function | | Grayhill Part Number | | |
|---|----------|-----------------------------|-----------------------------|---------------------------|
| OpenLine® | | 73L-ITCJ | 73L-ITCK | 73L-ITCT |
| Specifications | Units | | | |
| Number of Inputs | | 2 Ch. | 2 Ch. | 2 Ch. |
| Resolution | bits | 12 | 12 | 12 |
| Absolute Accuracy @ 25°C ^{1,2} | °C/count | 0.34 | 0.36 | 0.16 |
| Accuracy Drift w/Temp. ² | °C | +/- 1.0 | +/- 1.0 | +/- 0.4 |
| Maximum Offset | PPM/°C | +/- 50 | +/- 50 | +/- 50 |
| Maximum Gain (0 to 60°C) | PPM/°C | +/- 100 | +/- 100 | +/- 100 |
| Serial Data Format | | Right Justified,16-bit | Right Justified,16-bit | Right Justified,16-bit |
| Serial Data Packet | | 115.2 Kb, N, 8, 2 | 115.2 Kb, N, 8, 2 | 115.2 Kb, N, 8, 2 |
| Step Response Time ³ | mS | 100 | 100 | 100 |
| Input Temperature Range | °C (°F) | -210 to 1200 (-346 to 2192) | -100 to 1372 (-148 to 2502) | -240 to 400 (-400 to 752) |
| Maximum Overload | V | +/- 6 | +/- 6 | +/- 6 |
| Logic Voltage Range | Vdc | 4.75 to 5.25 | 4.75 to 5.25 | 4.75 to 5.25 |
| Maximum Logic Supply Current @ 5V dc | mA/Ch. | 38 | 38 | 38 |
| Module ID (Pin 9) | KΩ | 5.23 | 5.23 | 5.23 |
| Isolation Voltage | | | | |
| Field to Logic | Vrms | 2500 | 2500 | 2500 |
| Field to Power | Vrms | 2500 | 2500 | 2500 |
| Module to Module | Vrms | 2500 | 2500 | 2500 |
| Channel A to Channel B | | None | None | None |
| Environmental Conditions | | | | |
| Operating Temperature ³ | °C | -40 to 85 | -40 to 85 | -40 to 85 |
| Storage Temperature | °C | -55 to 100 | -55 to 100 | -55 to 100 |

¹ Includes offset, gain, non-linearity and repeatability error terms.

² Accuracy and drift graphs are available in Bulletin #753.

³ Time required for output to change within 1% of final reading.

Available from your local Grayhill Distributor.

For prices and discounts, contact a local Distributor, a local Sales Office or Grayhill.

I/O Modules