



Chipsmall Limited consists of a professional team with an average of over 10 year of expertise in the distribution of electronic components. Based in Hongkong, we have already established firm and mutual-benefit business relationships with customers from,Europe,America and south Asia,supplying obsolete and hard-to-find components to meet their specific needs.

With the principle of "Quality Parts,Customers Priority,Honest Operation,and Considerate Service",our business mainly focus on the distribution of electronic components. Line cards we deal with include Microchip,ALPS,ROHM,Xilinx,Pulse,ON,Everlight and Freescale. Main products comprise IC,Modules,Potentiometer,IC Socket,Relay,Connector.Our parts cover such applications as commercial,industrial, and automotives areas.

We are looking forward to setting up business relationship with you and hope to provide you with the best service and solution. Let us make a better world for our industry!



## Contact us

Tel: +86-755-8981 8866 Fax: +86-755-8427 6832

Email & Skype: info@chipsmall.com Web: www.chipsmall.com

Address: A1208, Overseas Decoration Building, #122 Zhenhua RD., Futian, Shenzhen, China



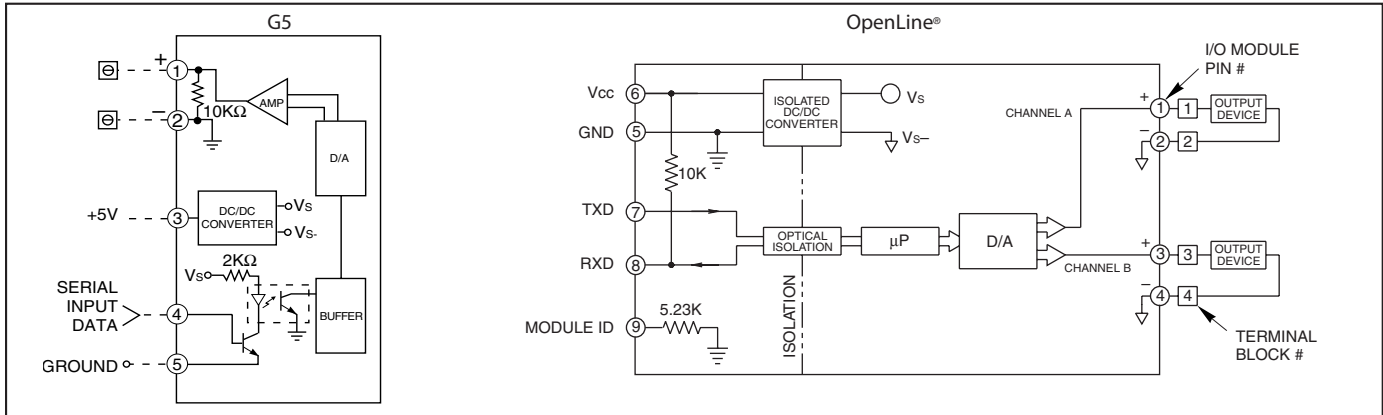


FEATURES

- Standard Package and Pin-out
- Single 5V Power Supply
- 12-Bit Resolution
- Optical Isolation
- Intermix With Digital Modules on the Same Rack
- Meets the Requirements of IEEE 472
- UL, CSA, CE Certified (OpenLine® only)



CIRCUITRY: Voltage Output



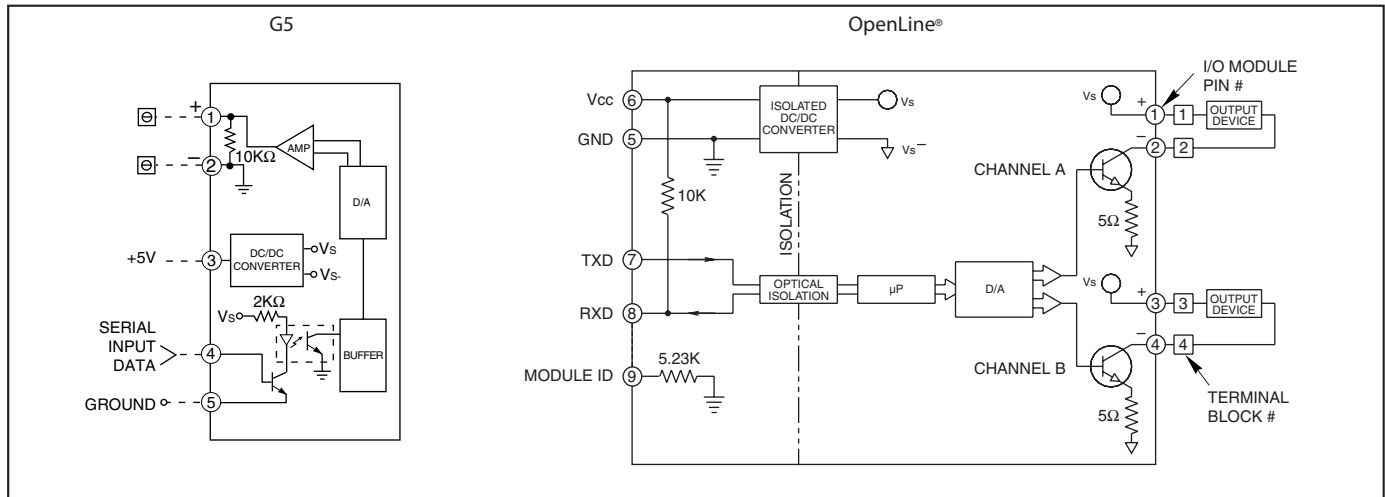
SPECIFICATIONS: By Part Number

Type/Function	Grayhill Part Number		
G5, OpenLine*		73L-OV5, -OV5B	73G-OV10, -OV10B
Specifications	Units		
Number of Outputs		1 Ch., Diff.	1 Ch., Diff.
Resolution	bits mV/count	12 -OV5: 1.22 -OV5B: 2.44	12 -OV10: 2.44 -OV10B: 4.88
Absolute Accuracy @ 25°C <sup>1,2</sup>		0.08% of full scale	0.3% of full scale
Accuracy Drift w/Temp. <sup>2</sup>			
Maximum Offset	PPM/°C	+/- 25	+/- 45
Maximum Gain (0 to 60°C)	PPM/°C	+/- 100	+/- 150
Serial Data Format		Left-justified, 16-bit packet	12-bit packet
Serial Data Packet		11.52Kb, N, 8, 2	—
Step Response Time	mS	0.8	0.5
Output Noise Ripple	mV rms	1.5 max.	—
Output Voltage Range	Vdc	-OV5: 0-5 -OV5B: -5-5	-OV10: 0-10 -OV10B: -10-10
Maximum Load	Ω	250	1000
Logic Voltage Range	Vdc	4.75-5.25	4.5-5.5
Maximum Logic Supply Current @ 5Vdc	mA/Ch.	105	140
Power Up Status		Output @ min. value	Output @ min. value
Short Circuit Protection		Yes	Yes
Module ID (Pin 9)	KΩ	5.23	N/A
Isolation Voltage			
Field to Logic	Vrms	2500	2500
Field to Power	Vrms	2500	2500
Module to Module	Vrms	2500	2500
Channel A to Channel B		N/A	N/A
Environmental Conditions			
Operating Temperature	°C	-40-85	0-60
Storage Temperature	°C	-40-100	-25-85

<sup>1</sup> Includes offset, gain, non-linearity and repeatability error terms.  
<sup>2</sup> Accuracy and drift graphs are available in Bulletin #753.

I/O Modules

## CIRCUITRY: Current Output



## SPECIFICATIONS: By Part Number

Type/Function	Grayhill Part Number			
G5, OpenLine <sup>*</sup>		73G-OI420	73L-OI420	73L-OI024
Specifications	Units			
Number of Outputs		1 Ch., Diff.	2 Ch., S.E.	2 Ch., S.E.
Resolution	bits	12	12	12
Absolute Accuracy @ 25°C <sup>1</sup>	μA/count	3.9	4.9	5.9
Accuracy Drift w/Temp. <sup>2</sup>				
Maximum Offset	PPM/°C	+/- 45	+/- 45	+/- 50
Maximum Gain (0 to 60°C)	PPM/°C +/- 150	+/- 150	+/- 100	
Serial Data Format		12-bit packet	Right Justified, 16-bit	Right Justified, 16-bit
Serial Data Packet		—	115.2Kb, N, 8, 21	15.2Kb, N, 8, 2
Step Response Time	μS	0.5	500	500
Max. Loop Resistance <sup>3</sup>	Ohms	330	500	500
Output Current Range	mA	4-20	4-20	0-24
Maximum Load	Ω	250	Continuous short circuit	Continuous short circuit
Logic Voltage Range	Vdc	4.5-5.5	4.75-5.25	4.75-5.25
Maximum Logic Supply Current @ 5V dc	mA/Ch.	140	140	100
Power Up Status		Output @ min. value	Output @ min. value	Output @ min. value
Short Circuit Protection		Yes	Yes	Yes
Module ID (Pin 9)	KΩ	N/A	5.23	5.23
Isolation Voltage				
Field to Logic	Vrms	2500	2500	2500
Field to Power	Vrms	2500	2500	2500
Module to Module	Vrms	2500	2500	2500
Channel A to Channel B		N/A	None	None
Environmental Conditions				
Operating Temperature <sup>3,4</sup>	°C	0-60	-40-85	-40-85
Storage Temperature	°C	-25-55	-40-100	-40-100

<sup>1</sup> Includes offset, gain, non-linearity and repeatability error terms.

<sup>2</sup> Accuracy and drift graphs are available in Bulletin #753.

<sup>3</sup> External loop supply can increase maximum loop resistance rating.

Available from your local Grayhill Distributor. For prices and discounts, contact a local Sales Office, an authorized local Distributor or Grayhill.