



Chipsmall Limited consists of a professional team with an average of over 10 year of expertise in the distribution of electronic components. Based in Hongkong, we have already established firm and mutual-benefit business relationships with customers from,Europe,America and south Asia,supplying obsolete and hard-to-find components to meet their specific needs.

With the principle of “Quality Parts,Customers Priority,Honest Operation,and Considerate Service”,our business mainly focus on the distribution of electronic components. Line cards we deal with include Microchip,ALPS,ROHM,Xilinx,Pulse,ON,Everlight and Freescale. Main products comprise IC,Modules,Potentiometer,IC Socket,Relay,Connector.Our parts cover such applications as commercial,industrial, and automotives areas.

We are looking forward to setting up business relationship with you and hope to provide you with the best service and solution. Let us make a better world for our industry!



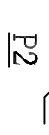
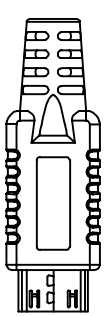
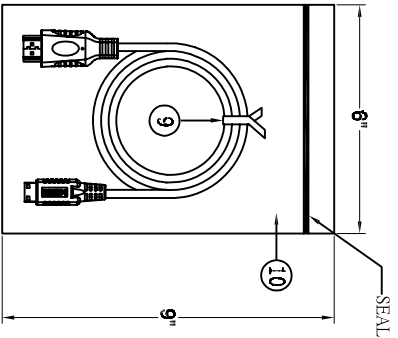
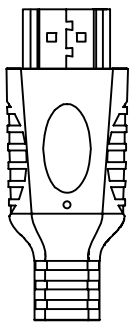
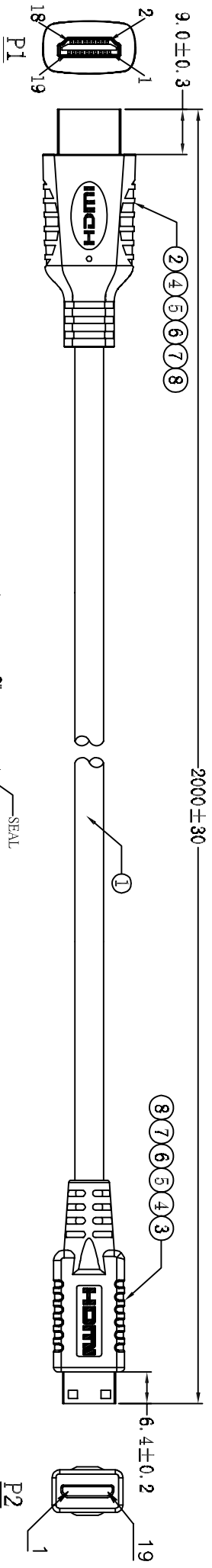
Contact us

Tel: +86-755-8981 8866 Fax: +86-755-8427 6832

Email & Skype: info@chipsmall.com Web: www.chipsmall.com

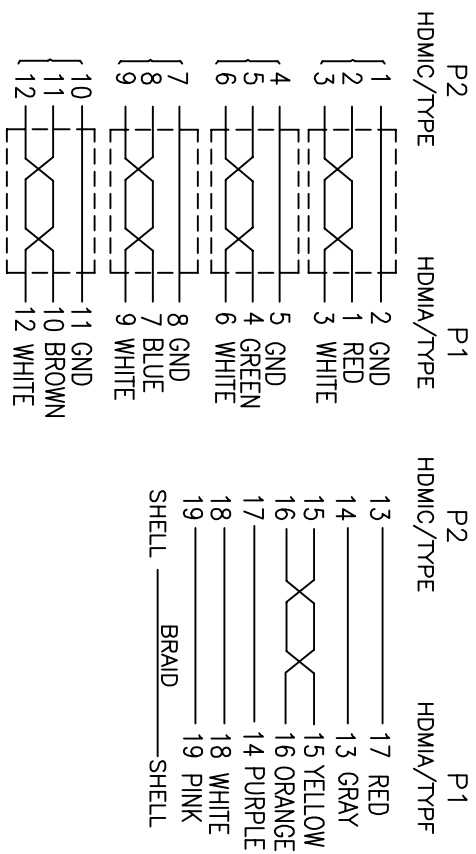
Address: A1208, Overseas Decoration Building, #122 Zhenhua RD., Futian, Shenzhen, China





- NOTE:
1. TEST:DC 300V/1s
 2. INSULATION RESISTANCE:10m ohm
 3. CONTACT RESISTANCE::2 ohm
 4. PRODUCTS MEASURE UP TO THE ROHS
 5. PVC TEGUMENT

10	PE BAG 6**9**0.04MM	1PCS
9	ELLIPTICAL CABLE TIE WITH CORE L=70MM	1PCS
8	TIN WIRE LEAD-FREE Ø0.6 ROHS	0.45g
7	P1&P2 PVC , BLACK 45P	16g
6	CONDUCTIVE COPPER PLATINUM P1.W:25MM*L:45MM1PCS ; P2.W:20MM*L:35MM1PCS	2PCS
5	GUMMED PAPER P1.W:20*L:50MM; P2.W:15*L:35MM	2PCS
4	PE1&P2 TRANSPARENT PE INTERNAL MODEL MATERIALS,LOW DENSITY	6g
3	HDMI C TYPE MALE: SHORT BODY PIN G/F,IRON SHELL-PLATED NICKEL,INSULATION BLACK	1PCS
2	HDMI A TYPE MALE: SHORT BODY PIN G/F,IRON SHELL-PLATED NICKEL,INSULATION BLACK	1PCS
1	UJ.20276[30AWG(7/0.10TS)*1P+EA+AL/MY]*4+30AWG(7/0.10TS)*1P+30AWG(7/0.10TS)*5C+AE8(16/6/0.12AM) OD:6.0mm PVC BLACK TEGUMENT CUT L=990±10mm(LS)	1PCS
No	DESCRIPTION	QTY



Cnc Tech, LLC

-TOLERANCES-
UNLESS OTHERWISE SPECIFIED
公差參考表



TITLE: HDMI AM TO CM CABLE PVC

X.X	±0.38	X.X°	±3.00°	APPD:	PRODUCT NO: 742-10010-00200
X.XX	±0.25	X.XX°	±2.00°	CHECK:	DATE
X.XXX	±0.10	X.XXX°	±1.00°	DRAW:	SCALE 1:1
					UNIT mm
					TYPE Z
					PAGE 1 / 1