



Chipsmall Limited consists of a professional team with an average of over 10 year of expertise in the distribution of electronic components. Based in Hongkong, we have already established firm and mutual-benefit business relationships with customers from,Europe,America and south Asia,supplying obsolete and hard-to-find components to meet their specific needs.

With the principle of “Quality Parts,Customers Priority,Honest Operation,and Considerate Service”,our business mainly focus on the distribution of electronic components. Line cards we deal with include Microchip,ALPS,ROHM,Xilinx,Pulse,ON,Everlight and Freescale. Main products comprise IC,Modules,Potentiometer,IC Socket,Relay,Connector.Our parts cover such applications as commercial,industrial, and automotives areas.

We are looking forward to setting up business relationship with you and hope to provide you with the best service and solution. Let us make a better world for our industry!



## Contact us

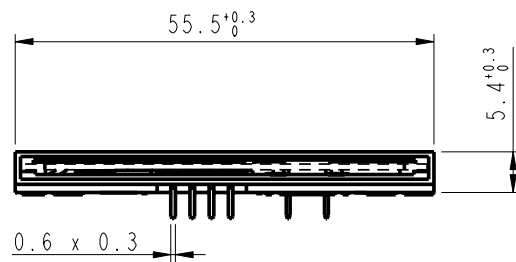
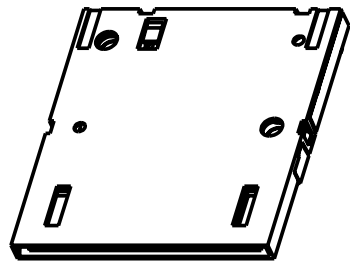
Tel: +86-755-8981 8866 Fax: +86-755-8427 6832

Email & Skype: info@chipsmall.com Web: www.chipsmall.com

Address: A1208, Overseas Decoration Building, #122 Zhenhua RD., Futian, Shenzhen, China



PART NUMBER	LEAD FREE VERSION
7431E0525S01	7431E0525S01LF



**GENERAL :**  
 High cycle life duration smart card connector with landing type contacts mechanism. The landing type connector also provides the feature of recessed contacts when card is not inserted which protects them against vandalism.  
 Smart card for reference purposes only.

**ELECTRICAL PROPERTIES:**  
 Insulation resistance : > 1000MΩ  
 Dielectric withstanding voltage : >750 Vrms  
 Current carrying capacity : Min 10μA, Max 1A  
 Contact resistance : < 100mΩ

**MECHANICAL PROPERTIES :**  
 Operating force : Insertion : F < 10N  
 Withdrawal : 1 < F < 10N  
 Contact Normal force : 0.2 < F < 0.3 for 0.6mm of deflection  
 Durability : 200 000 mating cycles

**MATERIAL :**  
 Head reader : Thermoplastic, Colour Grey, Rated UL94V0  
 Cover : Thermoplastic, Colour Black, Rated UL94V0  
 Contacts : Copper alloy,  
 Plating : Gold over Ni or equivalent on contact area  
 SnPb over Ni on solder tails (FOR LEADED VERSION)  
 Matte tin over Ni on solder tails (FOR LEAD FREE VERSION)

**ENVIRONMENT :**  
 Operating temperature : -40°C / +85°C  
 Climatic conditions : UTE 93-421

**PACKAGING :**  
 Plastic cavity tray

A

A

B

B

C

C

D

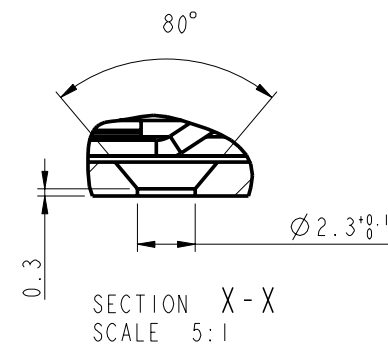
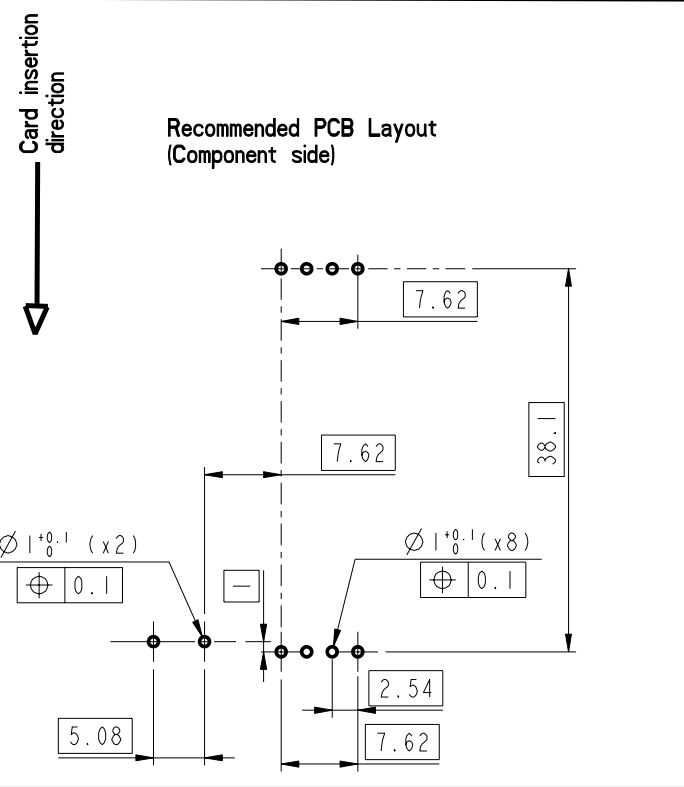
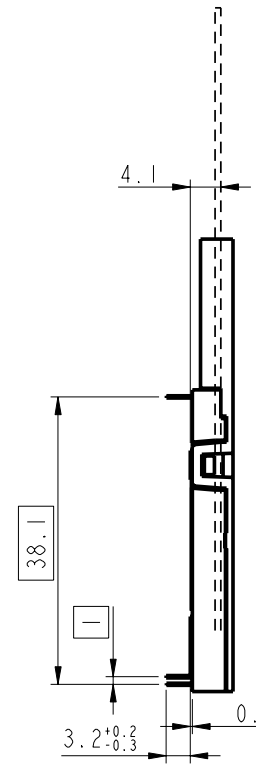
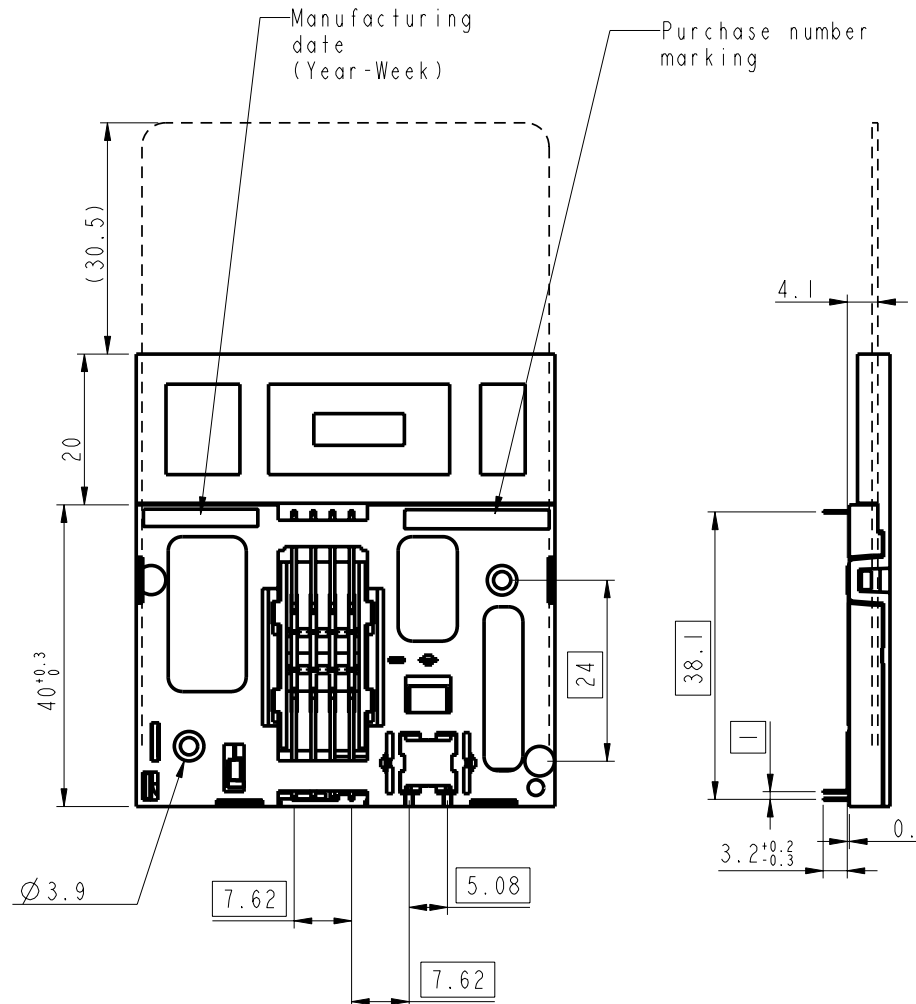
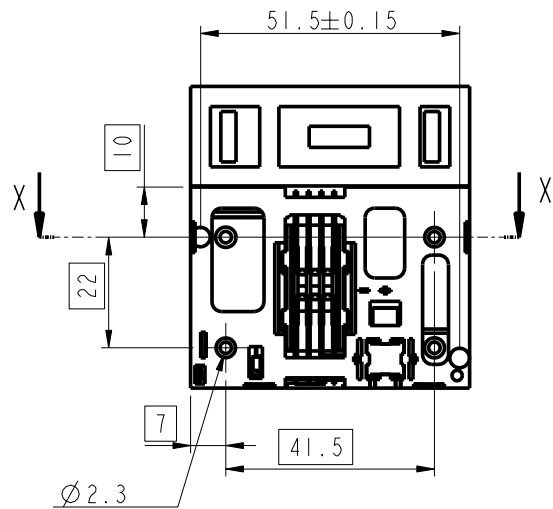
D

E

E

F

F



LEAD FREE VERSION:

"This product meets European Union Directives and other country regulations as described in GS-22-008"

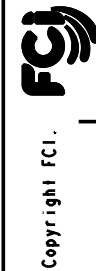
The housing will withstand exposure to 260°C peak temperature for 3-5seconds in a wave solder application with a 1.6mm minimum thick circuit board.

General Tolerances

0 to 10mm:	±0.1mm
10 to 30mm:	±0.15mm
30 to 60mm:	±0.2mm
60 and more:	±0.3mm

rev	ecn no	dr	date
A	F20307	DLE	2002/04/29
B	F20341	DLE	2002/06/04
C	LS3088	JTA	2003/11/28
D	105-0176	NT	2005/09/29
E	105-0078	DTK	2006/06/19
F	109-0013	SSC	2009/01/24

www.fciconnect.com		surface	tolerance std	projection	mm
		ISO 1302	ISO 406 ISO 1101	ANGULAR	LINEAR
		TOLERANCES UNLESS OTHERWISE SPECIFIED			
Dr	D LEGRAND	2002/04/29	0.X	±	size
Eng	F TISSERAND	2002/04/29	0.XX	±	A2
Chr	S.S.CHERIAN	2009/01/24	0.XXX	±	Scale
Appr	S.S.CHERIAN	2009/01/24			1:1
		Product family			ECN
					109-0013
					Spec ref
E05 WITHOUT PEG		cat no	VJW53908		Rev.
					F
					sheet 1 of 1



Copyright FCI.

REV F - 2006-04-17