



Chipsmall Limited consists of a professional team with an average of over 10 year of expertise in the distribution of electronic components. Based in Hongkong, we have already established firm and mutual-benefit business relationships with customers from,Europe,America and south Asia,supplying obsolete and hard-to-find components to meet their specific needs.

With the principle of “Quality Parts,Customers Priority,Honest Operation,and Considerate Service”,our business mainly focus on the distribution of electronic components. Line cards we deal with include Microchip,ALPS,ROHM,Xilinx,Pulse,ON,Everlight and Freescale. Main products comprise IC,Modules,Potentiometer,IC Socket,Relay,Connector.Our parts cover such applications as commercial,industrial, and automotives areas.

We are looking forward to setting up business relationship with you and hope to provide you with the best service and solution. Let us make a better world for our industry!



## Contact us

Tel: +86-755-8981 8866 Fax: +86-755-8427 6832

Email & Skype: info@chipsmall.com Web: www.chipsmall.com

Address: A1208, Overseas Decoration Building, #122 Zhenhua RD., Futian, Shenzhen, China



F

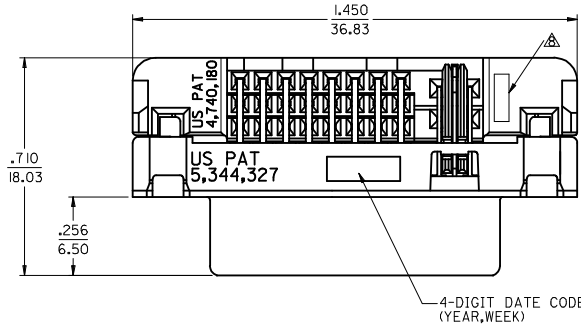
E

D

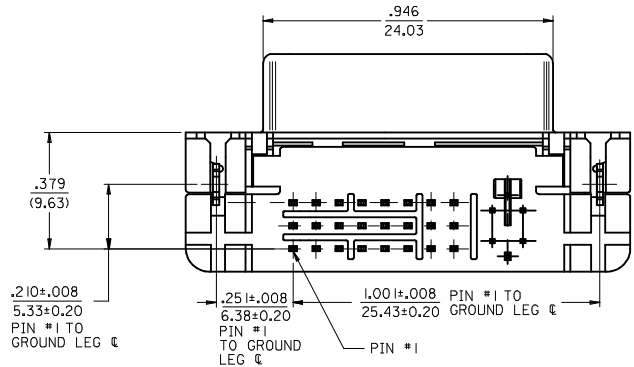
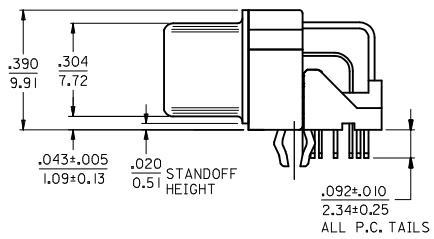
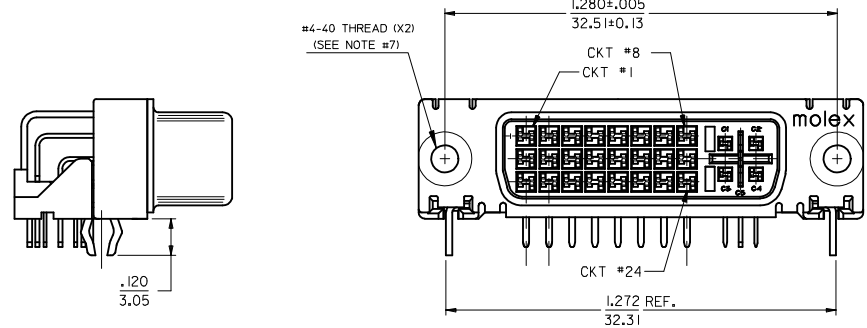
C

B

A



- NOTES:
- MATERIAL:
    - SHIELD: DEEP DRAW STEEL;
    - HOUSING: LCP, UL94V-0, NATURAL (WHITE);
    - TAIL ALIGNER: LCP, UL94V-0, NATURAL (WHITE);
    - CONTACT: COPPER ALLOY.
  - PLATING: SEE SHEET 2.
  - PRODUCT CONFORMS TO MOLEX PRODUCT SPECIFICATION NUMBER PS-74320-001.
  - SEE SHEET 2 FOR RECOMMENDED PANEL CUT-OUT AND P.C.B. LAYOUT.
  - PARTS WILL BE PACKAGED IN TRAYS PER PK-74320-010.
  - PRODUCT CONFORMS TO DDWG DVI SPECIFICATION. REFER TO THIS SPECIFICATION FOR CONNECTOR MATING DIMENSIONS.
  - RECOMMENDED MOUNTING HARDWARE IS MOLEX P/N 71781-0001 OR 82007-0300 OR 88780-6066. REFER TO PRODUCT SPECIFICATION NUMBER PS-74320-001 FOR THIS APPLICATION TORQUE REQUIREMENT FOR ASSEMBLING MOUNTING HARDWARE.
- ⚠ CAVITY ID AND MANUFACTURING PLANT CODE.



PART NUMBER	PLATING OPTION
74320-9010	1
74320-9014	2

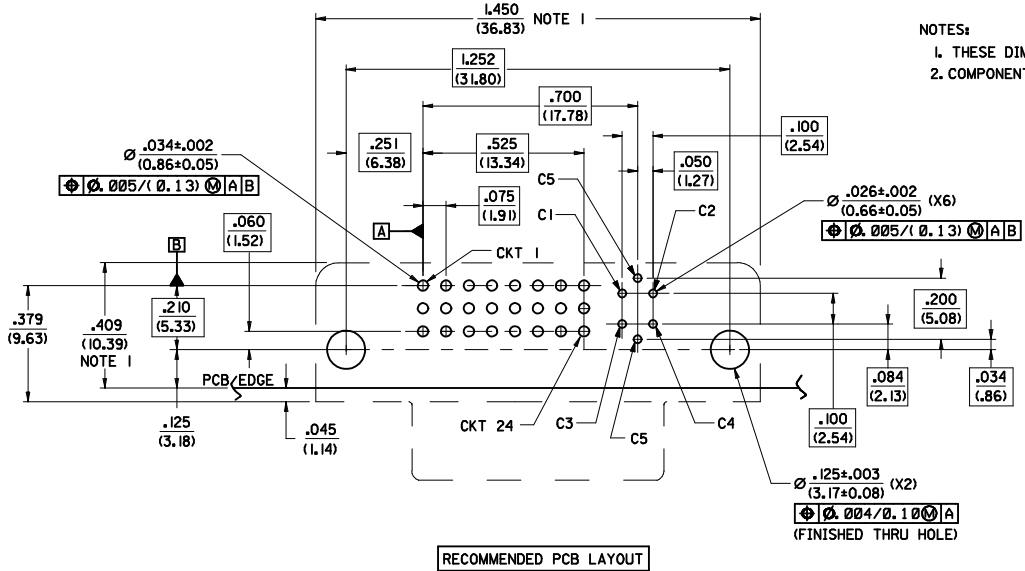
REV	DESCRIPTION
REVISED	EC NO: SH2015-0200
DRWN:XOZHANG	2014/12/11
CHKD:XOZHANG	2014/12/11
APPR:AYIN	2015/02/09

QUALITY SYMBOLS	GENERAL TOLERANCES (UNLESS SPECIFIED)	
	mm	INCH
▽=0	4 PLACES ± ---	± ---
▽=0	3 PLACES ± ---	± 0.010
▽=0	2 PLACES ± 0.25	± 0.010
	1 PLACE ± 0.25	± 0.010
	0 PLACE ± ---	± ---
	ANGULAR ± 0.5°	
	DRAFT WHERE APPLICABLE MUST REMAIN WITHIN DIMENSIONS	

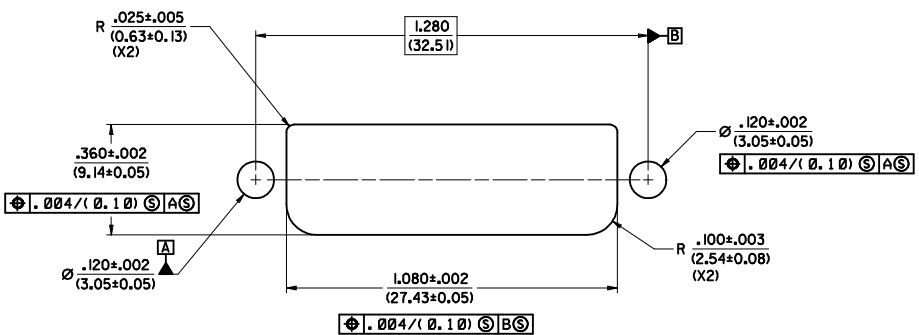
DIMENSION STYLE		SCALE	DESIGN UNITS	THIRD ANGLE PROJECTION
IN/MM		1:1	INCH	⊙
DRAWN BY	DATE	TITLE		
XJSONG	2011/08/18	DVI-I RIGHT ANGLE RECEPTACLE CONNECTOR W/FORKLOCK		
CHECKED BY	DATE			
APPROVED BY	DATE			
RZHANG	2011/08/22			
MATERIAL NO.		DOCUMENT NO.		SHEET NO.
SEE TABLE		SD-74320-026		1 OF 2

**molex**

THIS DRAWING CONTAINS INFORMATION THAT IS PROPRIETARY TO MOLEX INCORPORATED AND SHOULD NOT BE USED WITHOUT WRITTEN PERMISSION



NOTES:  
 1. THESE DIMENSIONS REPRESENT CONNECTOR OVERLAY ON PCB.  
 2. COMPONENT SIDE OF PCB SHOWN.



NOTE:  
 1. PANEL THICKNESS: .030" - .040".

**PLATING OPTIONS:**  
**PLATING OPTION #1:**  
 OUTER SHIELD -- 150u"/(3.75um) MIN. BRIGHT TIN OVER 50u"/(1.27um) MIN. NICKEL OVER COPPER FLASH  
 .075"/(1.91mm) CONTACTS -- 30u"/(0.75um) MIN. SELECT GOLD AND 100u"/(2.50um) MIN. SELECT PURE TIN OVER 50u"/(1.27um) MIN. NICKEL OVERALL.  
**PLATING OPTION #2:**  
 OUTER SHIELD -- 150u"/(3.75um) MIN. BRIGHT TIN OVER 50u"/(1.27um) MIN. NICKEL OVER COPPER FLASH  
 .075"/(1.91mm) CONTACTS -- SELECT GOLD FLASH AND 100u"/(2.50um) MIN. SELECT PURE TIN OVER 50u"/(1.27um) MIN. NICKEL OVERALL.

SEE SHEET 1 EC NO: SH2015-0200 DRWN: XQZHANG 2014/12/11 CH'KD: XQZHANG 2014/12/11 APPR: AYIN 2015/02/09	QUALITY SYMBOLS $F_A=0$ $F_C=0$ $F_P=0$	GENERAL TOLERANCES (UNLESS SPECIFIED) mm INCH 4 PLACES ± --- ± --- 3 PLACES ± --- ± 0.10 2 PLACES ± 0.25 ± 0.10 1 PLACE ± 0.25 ± 0.10 0 PLACE ± --- ± --- ANGULAR ± 0.5° DRAFT WHERE APPLICABLE MUST REMAIN WITHIN DIMENSIONS	DIMENSION STYLE IN/MM DRAWN BY DATE XJSONG 2011/08/18 CHECKED BY DATE XJSONG 2011/08/18 APPROVED BY DATE RZHANG 2011/08/22	SCALE 1:1 DESIGN UNITS INCH THIRD ANGLE PROJECTION	TITLE DVI-I RIGHT ANGLE RECEPTACLE CONNECTOR W/FORKLOCK <b>molex</b> DOCUMENT NO. SD-74320-026 SHEET NO. 2 OF 2	
	SEE SHEET 1 SIZE A 3 THIS DRAWING CONTAINS INFORMATION THAT IS PROPRIETARY TO MOLEX INCORPORATED AND SHOULD NOT BE USED WITHOUT WRITTEN PERMISSION					