



Chipsmall Limited consists of a professional team with an average of over 10 year of expertise in the distribution of electronic components. Based in Hongkong, we have already established firm and mutual-benefit business relationships with customers from,Europe,America and south Asia,supplying obsolete and hard-to-find components to meet their specific needs.

With the principle of “Quality Parts,Customers Priority,Honest Operation,and Considerate Service”,our business mainly focus on the distribution of electronic components. Line cards we deal with include Microchip,ALPS,ROHM,Xilinx,Pulse,ON,Everlight and Freescale. Main products comprise IC,Modules,Potentiometer,IC Socket,Relay,Connector.Our parts cover such applications as commercial,industrial, and automotives areas.

We are looking forward to setting up business relationship with you and hope to provide you with the best service and solution. Let us make a better world for our industry!



## Contact us

Tel: +86-755-8981 8866 Fax: +86-755-8427 6832

Email & Skype: info@chipsmall.com Web: www.chipsmall.com

Address: A1208, Overseas Decoration Building, #122 Zhenhua RD., Futian, Shenzhen, China



CATALOGUE NUMBER

7434L0422F01

7434L0423F01

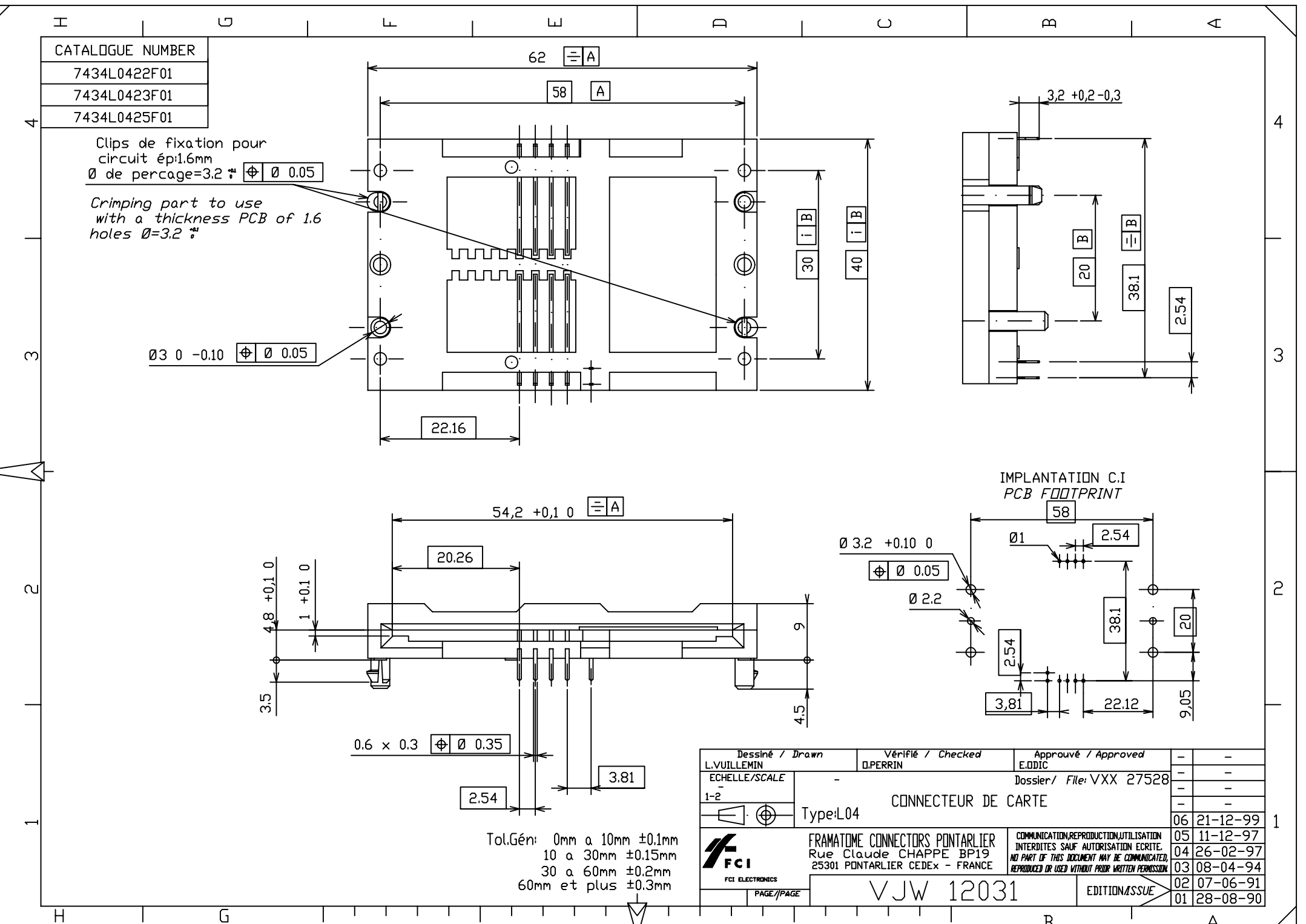
7434L0425F01

Clips de fixation pour  
circuit ép:1.6mm

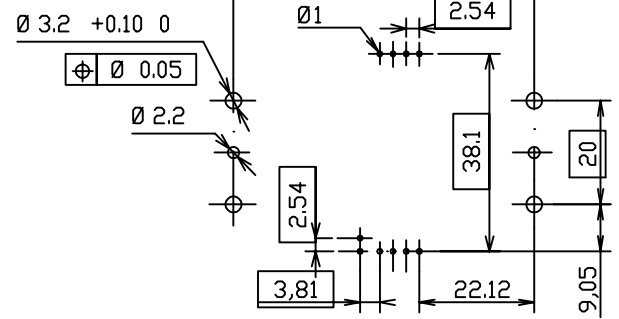
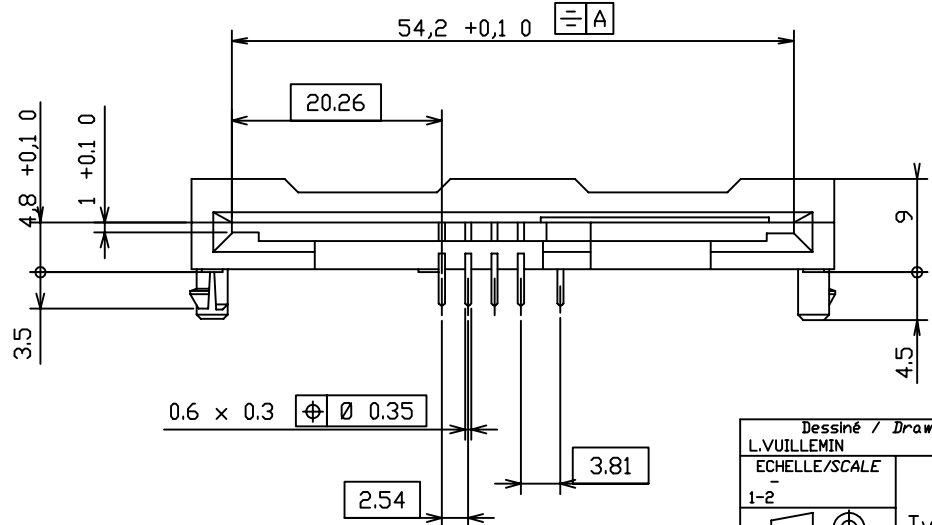
Ø de perçage=3.2 ±0.1

Crimping part to use  
with a thickness PCB of 1.6  
holes Ø=3.2 ±0.1

Ø3.0 ±0.10



IMPLANTATION C.I  
PCB FOOTPRINT



Tol.Gén: 0mm a 10mm ±0.1mm  
10 a 30mm ±0.15mm  
30 a 60mm ±0.2mm  
60mm et plus ±0.3mm

Dessiné / Drawn L.VUILLEMIN	Vérifié / Checked D.PERRIN	Approuvé / Approved E.OOIC	-	-
ECHELLE/SCALE 1-2		Dossier / File: VXX 27528		
Type:L04		CONNECTEUR DE CARTE		
FCI ELECTRONICS		FRAMATOME CONNECTORS PONTARLIER Rue Claude CHAPPE BP19 25301 PONTARLIER CEDEX - FRANCE		
PAGE/PAGE		VJW 12031		EDITION/ISSUE
				06 21-12-99
				05 11-12-97
				04 26-02-97
				03 08-04-94
				02 07-06-91
				01 28-08-90