



Chipsmall Limited consists of a professional team with an average of over 10 year of expertise in the distribution of electronic components. Based in Hongkong, we have already established firm and mutual-benefit business relationships with customers from,Europe,America and south Asia,supplying obsolete and hard-to-find components to meet their specific needs.

With the principle of “Quality Parts,Customers Priority,Honest Operation,and Considerate Service”,our business mainly focus on the distribution of electronic components. Line cards we deal with include Microchip,ALPS,ROHM,Xilinx,Pulse,ON,Everlight and Freescale. Main products comprise IC,Modules,Potentiometer,IC Socket,Relay,Connector.Our parts cover such applications as commercial,industrial, and automotives areas.

We are looking forward to setting up business relationship with you and hope to provide you with the best service and solution. Let us make a better world for our industry!



Contact us

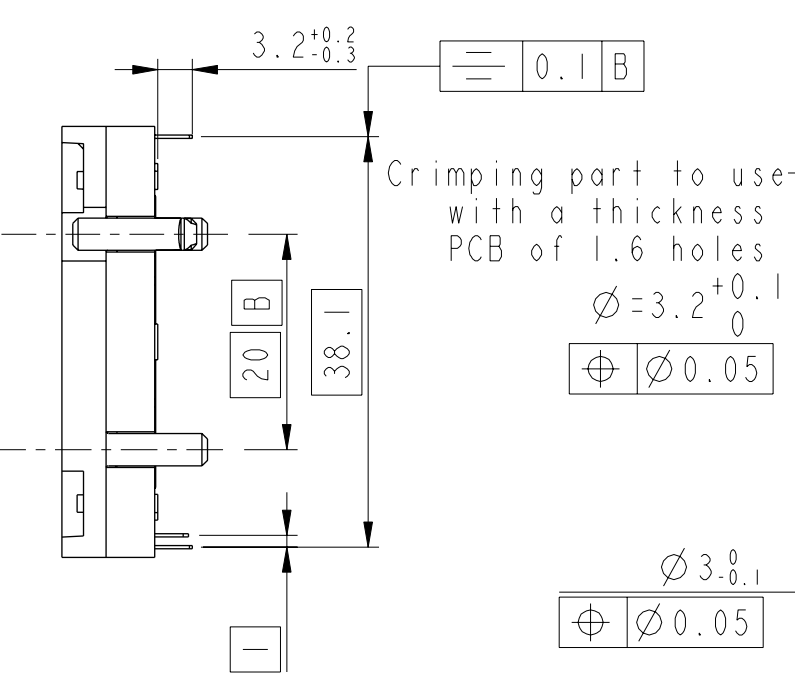
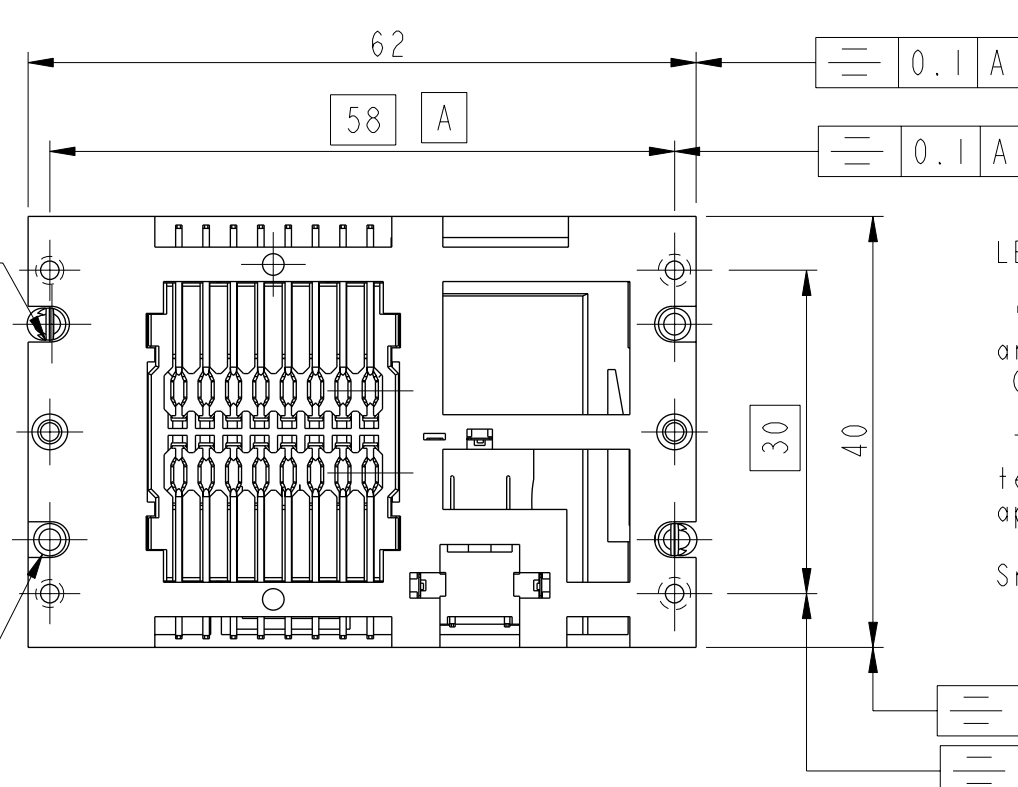
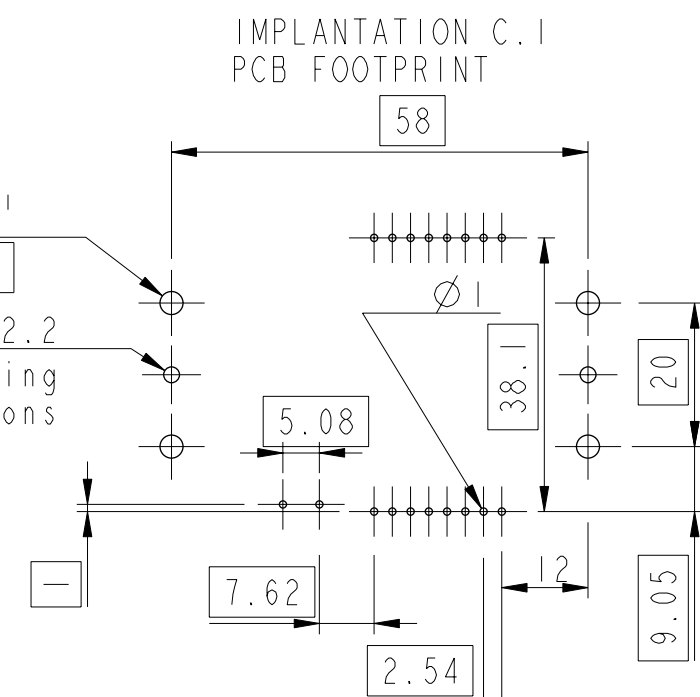
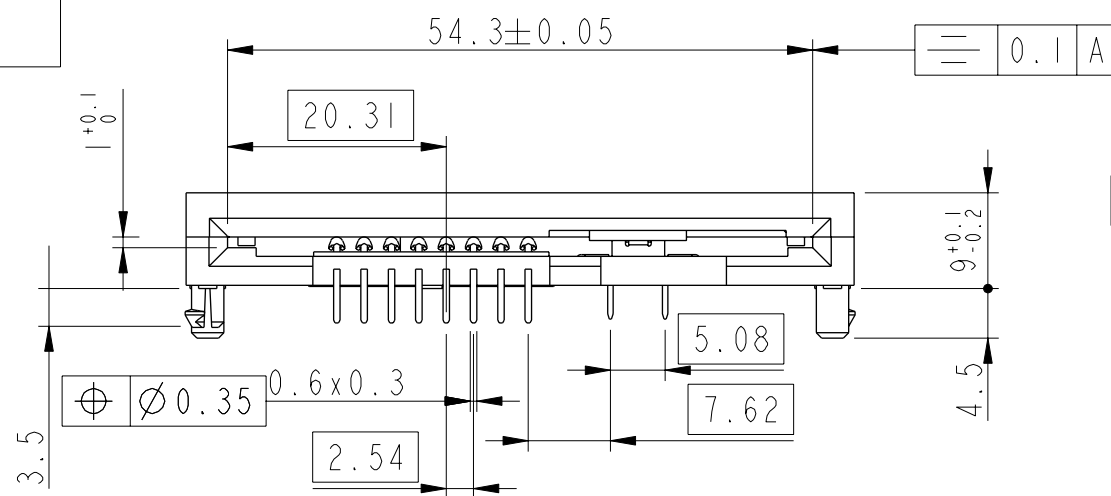
Tel: +86-755-8981 8866 Fax: +86-755-8427 6832

Email & Skype: info@chipsmall.com Web: www.chipsmall.com

Address: A1208, Overseas Decoration Building, #122 Zhenhua RD., Futian, Shenzhen, China



CATALOGUE NUMBER	LEAD FREE VERSION
7434L0835S01	7434L0835S01LF



LEAD FREE VERSION:

"This product meets European Union Directives and other country regulations as described in GS-22-008"

The housing will withstand exposure to 260°C peak temperature for 3-5seconds in a wave solder application with a 1.6mm minimum thick circuit board.

Sn Matte plating on solder tail for Lead Free Versions

Tol Gen: 0mm to 10mm ±0.1mm
 10mm to 30mm ±0.15mm
 30mm to 60mm ±0.2mm
 60mm and above ±0.3mm

rev	ecn no	dr	date
A	F20307	DLE	2002/04/29
B	105-0167	NT	2005/09/26
C	106-0084	SSC	2006/06/21
D	108-0080	SSC	2008/06/28

www.fciconnect.com		surface - ✓ ISO:1302	tolerance std ISO:406 ISO:1101	projection MM
TOLERANCES UNLESS OTHERWISE SPECIFIED				
Dr	D.LEGRAND	2002/04/29	ANGULAR	0.x ±
Eng	F.TISSERAND	2002/04/29	LINEAR	0.xx ±
Chr	S.S.CHERIAN	2008/06/28	0° ±	0.xxx ±
Appr	S.S.CHERIAN	2008/06/28	Product family	SMARTCARD
title SMARTCARD ASSEMBLY			size A3	Scale 1:1
L08-16 CONTACTS - 8 CONTACTS			ECN 108-0080	Spec ref -
catalog no SEE TABLE			dwg no VJWI2077	Rev. D
			sheet 1 of 1	



Copyright FCI.