



Chipsmall Limited consists of a professional team with an average of over 10 year of expertise in the distribution of electronic components. Based in Hongkong, we have already established firm and mutual-benefit business relationships with customers from,Europe,America and south Asia,supplying obsolete and hard-to-find components to meet their specific needs.

With the principle of “Quality Parts,Customers Priority,Honest Operation,and Considerate Service”,our business mainly focus on the distribution of electronic components. Line cards we deal with include Microchip,ALPS,ROHM,Xilinx,Pulse,ON,Everlight and Freescale. Main products comprise IC,Modules,Potentiometer,IC Socket,Relay,Connector.Our parts cover such applications as commercial,industrial, and automotives areas.

We are looking forward to setting up business relationship with you and hope to provide you with the best service and solution. Let us make a better world for our industry!



Contact us

Tel: +86-755-8981 8866 Fax: +86-755-8427 6832

Email & Skype: info@chipsmall.com Web: www.chipsmall.com

Address: A1208, Overseas Decoration Building, #122 Zhenhua RD., Futian, Shenzhen, China

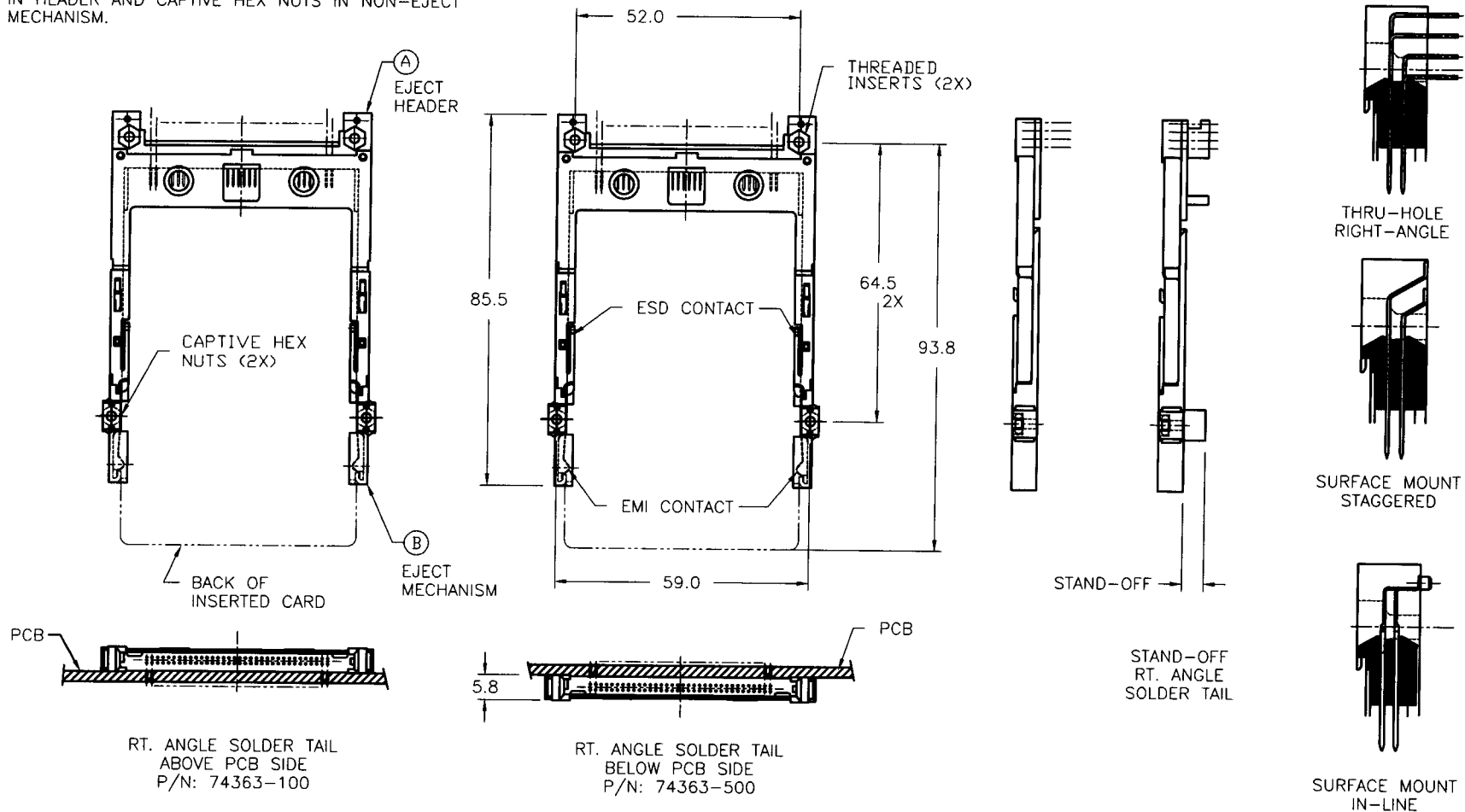


Tous droits strictement réservés. Reproduction ou communication à des tiers interdite sans quelque forme que ce soit sans autorisation écrite du propriétaire.
 Propriété de © BERG ELECTRONICS. Droits de reproduction BERG ELECTRONICS INC.

BERG
ELECTRONICS

All rights strictly reserved. Reproduction or issue to third parties in any form whatever is not permitted without written authority from the proprietor.
 Property of © BERG ELECTRONICS Copyright BERG ELECTRONICS INC.

PCMCIA COMPONENTS:
 SINGLE DECK ASSEMBLY WITH THREADED INSERTS
 IN HEADER AND CAPTIVE HEX NUTS IN NON-EJECT
 MECHANISM.



NOTES:

- REFER TO HEADER DRAWING 92856 AND NON-EJECT MECHANISM 74375 FOR ADDITIONAL DIMENSIONS, MATERIAL, AND PLATING INFORMATION.
- REFER TO TA-946 FOR PCB LAYOUT AND PCB KEEP-OUT AREA.
- RECOMMENDED SCREW TORQUE: 1.0 TO 1.5 MAX in-lbs. (1.2-1.7 cm-kgs).

mat'l. code				tolerances unless otherwise specified			CUSTOMER COPY	BERG ELECTRONICS	
ltr	ecn no	dr	date	linear	.X ±.3	projection			
A	V71609	RHG	12/5/97	angles	.XX ±.13		mm	68 POS EJECT HEADER ASSY WITH THREADED INSERT	
				dr	.XXX ±.051	scale		product family	code
				enfr	0° ±2°		1/1	MCS	-
				chr			size	dwg no	
				appd			A4	74363	
sheet index	revision sheet	A	A					sheet 1 of 2	
		1	2						

Tous droits strictement réservés. Reproduction ou communication à des tiers interdite sans quelque forme que ce soit sans autorisation écrite du propriétaire.
 Propriété de ©BERG ELECTRONICS. Droits de reproduction BERG ELECTRONICS INC.



All rights strictly reserved. Reproduction or issue to third parties in any form whatever is not permitted without written authority from the proprietor.
 Property of ©BERG ELECTRONICS Copyright BERG ELECTRONICS INC.

PCMCIA COMPONENTS:
 SINGLE DECK ASSEMBLY WITH THREADED INSERTS IN HEADER
 AND CAPTIVE HEX NUTS IN NON-EJECT MECHANISM

PCB SIDE ①	SOLDER TAIL ②	STANDOFF (MM)	Ⓐ EJECT HEADER	Ⓑ NON-EJECT MECHANISM	TO MAKE FINAL ASSY PART NUMBER
ABOVE	R/A	NONE	92856-000	74375-001	74363 -000
ABOVE	R/A	2	92856-040	74375-021	74363 -020
ABOVE	R/A	4	92856-010	74375-041	74363 -040
ABOVE	R/A	5	92856-020	74375-051	74363 -050
ABOVE	SMT-IL	NONE	92856-002	74375-001	74363 -002
ABOVE	SMT-STG	NONE	92856-001	74375-001	74363 -001
BELOW	R/A	NONE	92856-500	74375-001	74363 -500
BELOW	R/A	2	92856-540	74375-021	74363 -520
BELOW	R/A	4	92856-510	74375-041	74363 -540
BELOW	R/A	5	92856-520	74375-051	74363 -550
BELOW	SMT-IL	NONE	92856-502	74375-001	74363 -502
BELOW	SMT-STG	NONE	92856-501	74375-001	74363 -501

NOTES:

- ① PCB SIDE IS AS APPEARS INSTALLED.
- ② SOLDER TAIL KEY:
 R/A = RIGHT ANGLE PIN-THROUGH-HOLE
 SMT-STG = STAGGERED SURFACE MOUNT
 SMT-IL = SURFACE MOUNT IN-LINE (SINGLE ROW)

mat'l. code				tolerances unless otherwise specified			CUSTOMER COPY		BERG ELECTRONICS	
ltr	ecn no	dr	date	linear	.X ±.3		projection	title		
A					.XX ±.13			68 POS EJECT HEADER ASSY WITH THREADED INSERT		
					.XXX ±.051			product family MCS		
				angles	0° ±2°		mm	size		
				dr	R.GRAPE	12/5/97		A4		
				engr	D.BRANN	12/5/97		74363		
				chr	D.BRANN	12/5/97	scale	sheet		
				appd	D.BRANN	12/5/97		2 of		
sheet index	revision sheet									