



Chipsmall Limited consists of a professional team with an average of over 10 year of expertise in the distribution of electronic components. Based in Hongkong, we have already established firm and mutual-benefit business relationships with customers from,Europe,America and south Asia,supplying obsolete and hard-to-find components to meet their specific needs.

With the principle of “Quality Parts,Customers Priority,Honest Operation,and Considerate Service”,our business mainly focus on the distribution of electronic components. Line cards we deal with include Microchip,ALPS,ROHM,Xilinx,Pulse,ON,Everlight and Freescale. Main products comprise IC,Modules,Potentiometer,IC Socket,Relay,Connector.Our parts cover such applications as commercial,industrial, and automotives areas.

We are looking forward to setting up business relationship with you and hope to provide you with the best service and solution. Let us make a better world for our industry!



Contact us

Tel: +86-755-8981 8866 Fax: +86-755-8427 6832

Email & Skype: info@chipsmall.com Web: www.chipsmall.com

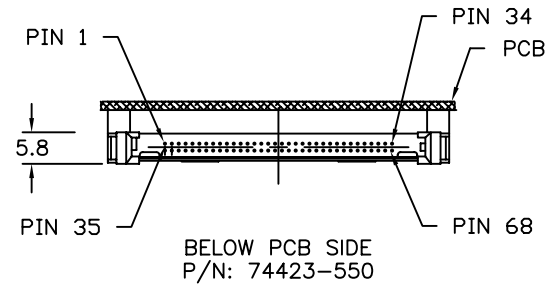
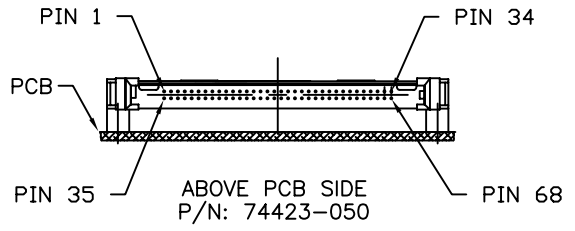
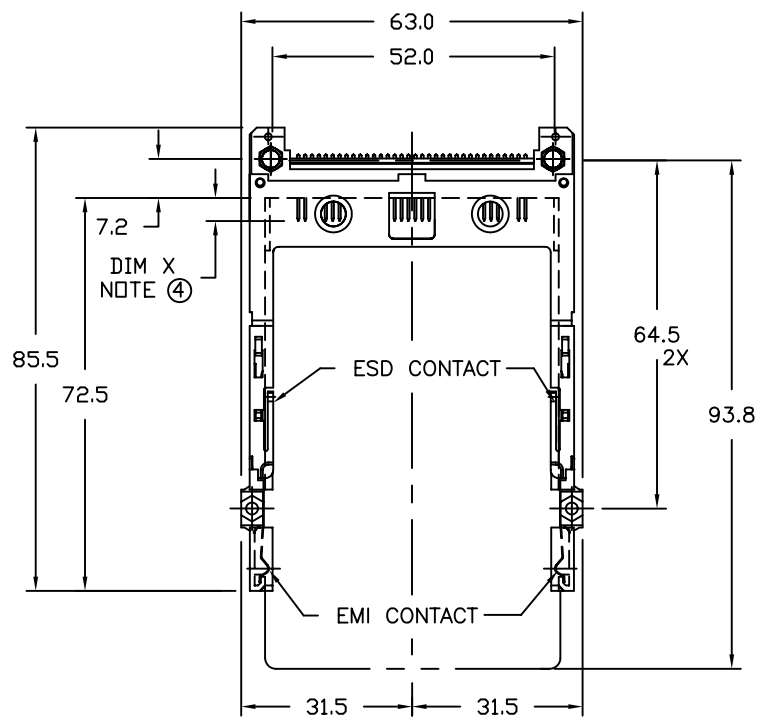
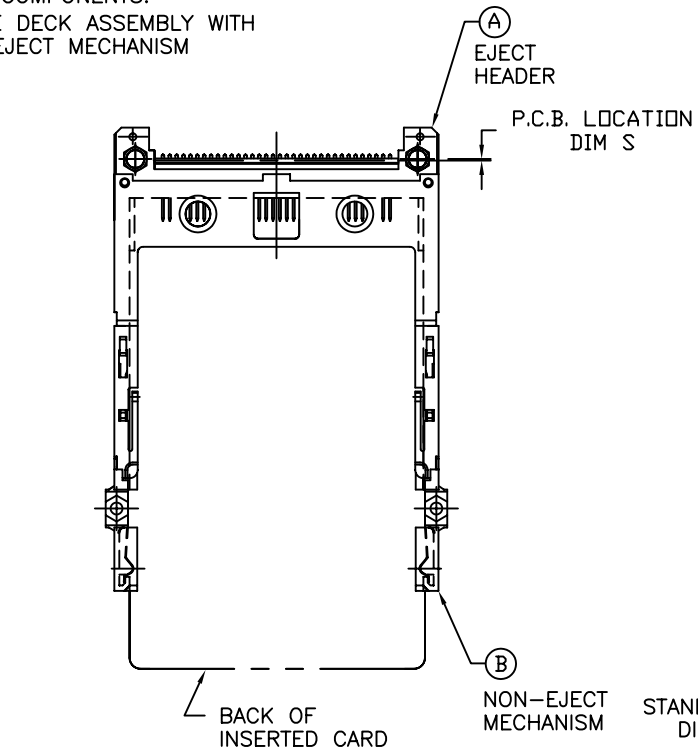
Address: A1208, Overseas Decoration Building, #122 Zhenhua RD., Futian, Shenzhen, China



Tous droits strictement réservés. Reproduction ou communication à des tiers interdite sous quelque forme que ce soit sans autorisation écrite du propriétaire. Propriété de c FCI. Droits de reproduction FCI.

All rights strictly reserved. Reproduction or issue to third parties in any form whatever is not permitted without written authority from the proprietor. Property of FCI. Copyright FCI.

PCMCIA COMPONENTS:
SINGLE DECK ASSEMBLY WITH
NON-EJECT MECHANISM



NOTES:

- REFER TO HEADER DRAWING 61127 AND NON-EJECT MECHANISM 92791 FOR ADDITIONAL DIMENSIONS, MATERIAL, AND PLATING INFORMATION.
- REFER TO SHEETS 2 AND 3 FOR PCB LAYOUT.
- RECOMMENDED SCREW TORQUE: 1.0 TO 1.5 MAX in-lbs. (1.2-1.7 cm-kgs).

④ DIM X

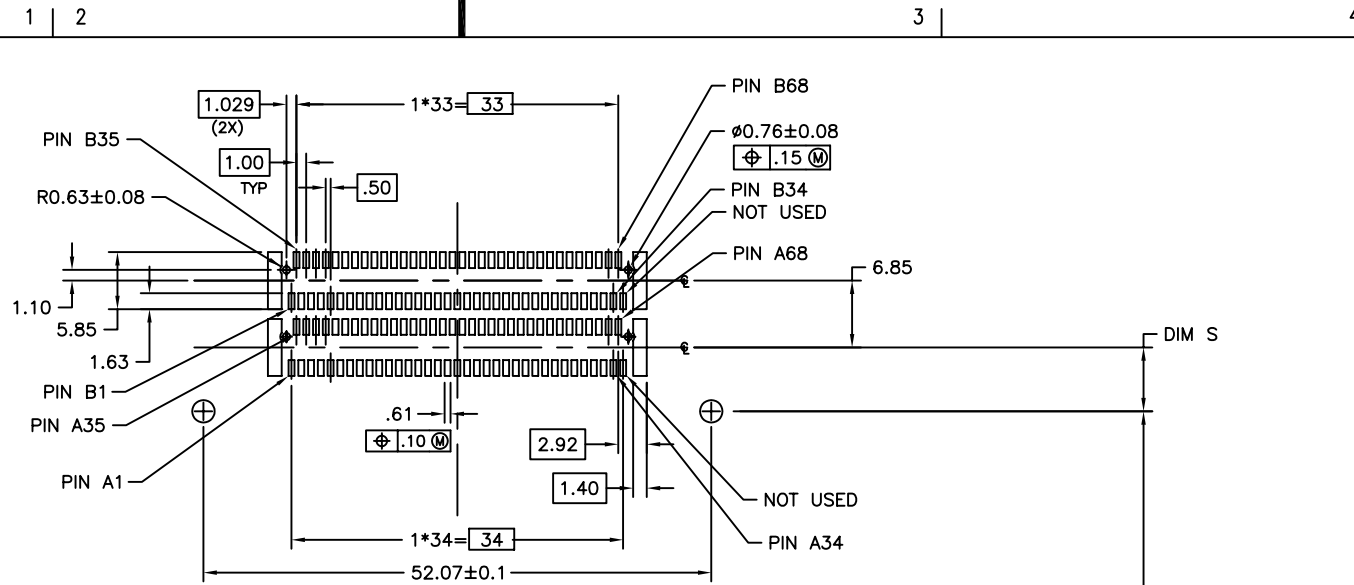
4.25±0.1	3.5±0.1	5.0±0.1
OTHERS	36,67	1,17,34,35,51,68

mat'l. code				tolerances unless otherwise specified			CUSTOMER COPY		 Electronics FCI www.fciconnect.com		
ltr	ecn no	dr	date	linear	.X±.3		projection	title 68 POS. EJECT HEADER ASSY.			
A	V80087	RGD	2/21/98		.XX±.13						
B	V90656	CGC	3/13/99	angles	.XXX±.051		 MM	product family MCS size 74423			
C	V00647	RGD	3/28/00		0° ±2'						
D	V12164	TFG	8/17/01	dr	R.GRAPE	2/21/98	scale 1:1	code - sheet 1 of 4			
E	V03-0517	WL	05/29/03	enrg	D.BRANN	2/21/98					
F	N04-0030	PH	07/21/04	chr	D.BRANN	2/21/98					
				appd	D.BRANN	2/21/98					
sheet index	revision sheet	F	E	E	F						
		1	2	3	4						

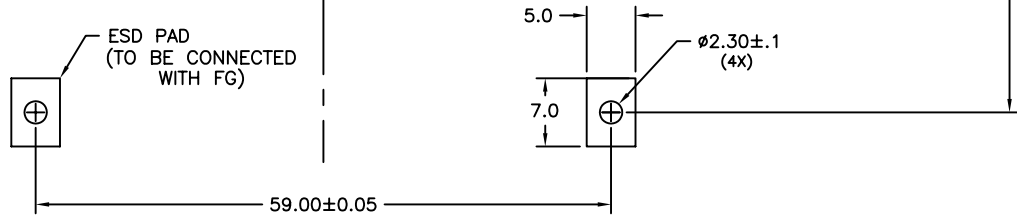
cage code
22526

Tous droits strictement réservés. Reproduction ou communication à des tiers interdite sous quelque forme que ce soit sans autorisation écrite du propriétaire. Propriété de c FCI. Droits de reproduction FCI.

All rights strictly reserved. Reproduction or issue to third parties in any form whatever is not permitted without written authority from the proprietor. Property of FCI. Copyright FCI.



P.C.B. LAYOUT
TOP MOUNT
AS ASSEMBLED



mat'l. code				tolerances unless otherwise specified		CUSTOMER COPY		Electronics FCI www.fciconnect.com			
ltr	ecn no	dr	date	linear	.X±.3	projection		title			
E					.XX±.13			68 POS. EJECT HEADER ASSY.		product family	code
					.XXX±.051			MCS	-		
				angles	0° ±2'	MM 1:1	A4	size	dwg no		
				dr	R.GRAPE			2/21/98	74423	sheet	
				enr	D.BRANN			2/21/98	2 of		
				chr	D.BRANN			2/21/98			
				appd	D.BRANN	2/21/98					
sheet index	revision sheet										

cage code
22526

ACAD

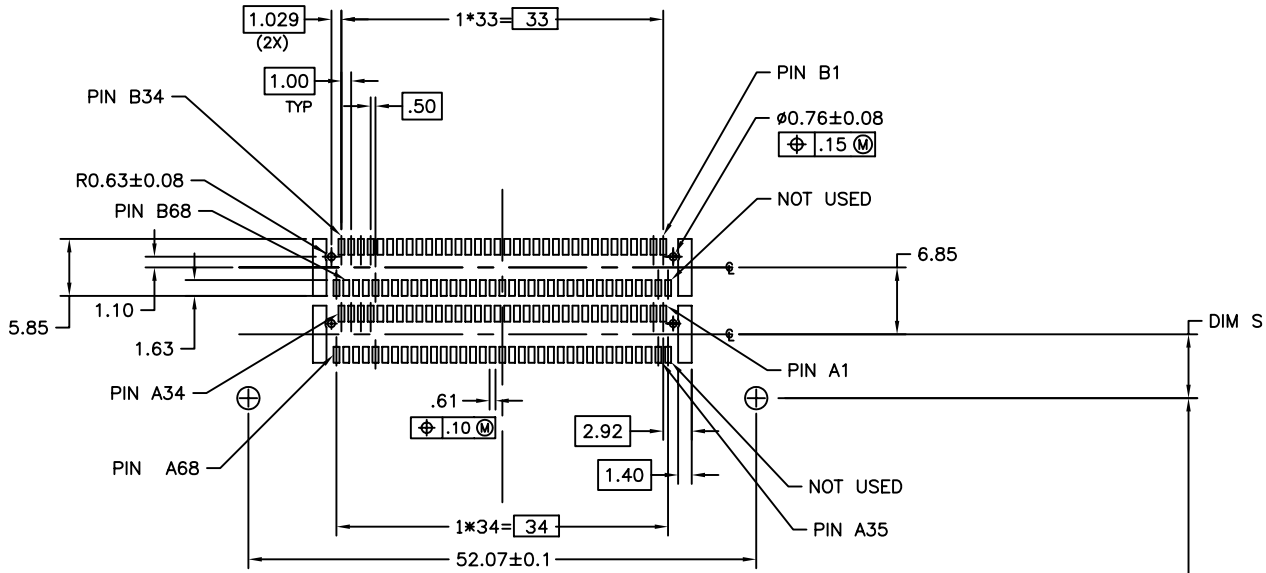
PDM: Rev:F

STATUS: Released

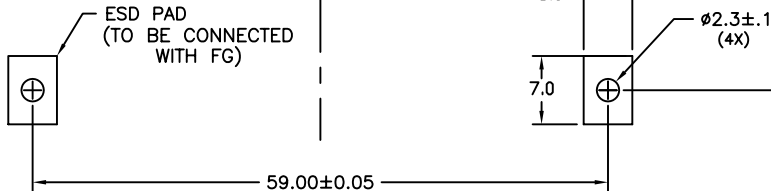
Printed: Oct 12, 2010

Tous droits strictement réservés. Reproduction ou communication à des tiers interdite sous quelque forme que ce soit sans autorisation écrite du propriétaire. Propriété de c FCI. Droits de reproduction FCI.

All rights strictly reserved. Reproduction or issue to third parties in any form whatever is not permitted without written authority from the proprietor. Property of FCI. Copyright FCI.



P.C.B. LAYOUT
BOTTOM MOUNT
AS ASSEMBLED



mat'l. code				tolerances unless otherwise specified		CUSTOMER COPY		 Electronics FCI www.fciconnect.com	
ltr	ecn no	dr	date	linear	.X±.3	projection		title	
E					.XX±.13			68 POS. EJECT HEADER ASSY.	
				angles	.XXX±.051	 MM scale 1:1	product family MCS		code
				dr	0° ±2'		size		dwg no
				enr	R.GRAPE 2/21/98	A4		74423	3 of
				chr	D.BRANN 2/21/98				
				appd	D.BRANN 2/21/98				
sheet index	revision sheet								

cage code
22526

ACAD

PDM: Rev:F

STATUS Released

Printed Oct 12, 2010

Tous droits strictement réservés. Reproduction ou communication à des tiers interdite sous quelque forme que ce soit sans autorisation écrite du propriétaire. Propriété de c FCI. Droits de reproduction FCI.

All rights strictly reserved. Reproduction or issue to third parties in any form whatever is not permitted without written authority from the proprietor. Property of FCI. Copyright FCI.

DESCRIPTION: ABOVE AND BELOW P.C.B., DECK IS AS VIEWED BY USER.

PRODUCT NO. 74423-XXX	STAND-OFF HEIGHT DIM L	P.C.B. LOCATION DIM S	Ⓐ HEADER ASSY 61127-XXXX	Ⓑ MECHANISM ASSY 92791-XXX	MOUNTING STYLE TO PCB
020	2.2	-0.3	0022	-022	
040	4.3	-0.3	0043	-043	
050	5.0	-0.3	0050	-051	
020LF	2.2	-0.3	0022LF	-022	
040LF	4.3	-0.3	0043LF	-043	
050LF	5.0	-0.3	0050LF	-051	
005	0.0	10.0	0500	-001	
025	0.0	6.55	0522	-001	
045	0.0	6.55	0543	-001	
055	0.0	6.55	0550	-001	
005LF	0.0	10.0	0500LF	-001	
025LF	0.0	6.55	0522LF	-001	
045LF	0.0	6.55	0543LF	-001	
055LF	0.0	6.55	0550LF	-001	
520	2.2	-0.3	5022	-022	
540	4.3	-0.3	5043	-043	
550	5.0	-0.3	5050	-051	
520LF	2.2	-0.3	5022LF	-022	
540LF	4.3	-0.3	5043LF	-043	
550LF	5.0	-0.3	5050LF	-051	
505	0.0	10.0	5500	-001	
525	0.0	6.55	5522	-001	
545	0.0	6.55	5543	-001	
555	0.0	6.55	5550	-001	
505LF	0.0	10.0	5500LF	-001	
525LF	0.0	6.55	5522LF	-001	
545LF	0.0	6.55	5543LF	-001	
555LF	0.0	6.55	5550LF	-001	

mat'l. code				tolerances unless otherwise specified		CUSTOMER COPY		Electronics FCI www.fciconnect.com		
ltr	ecn no	dr	date	linear	.X±.3	projection		title		
F					.XX±.13			68 POSITION EJECT HEADER ASSEMBLY		
				angles	.XXX±.051	MM		product family MCS		
				dr	0° ±2'			size		code
				engr	R.GRAPE 2/21/98	scale	1:1	A4		
				chr	D.BRANN 2/21/98			74423		sheet
				appd	D.BRANN 2/21/98			4 of		
sheet index	revision sheet									