



Chipsmall Limited consists of a professional team with an average of over 10 year of expertise in the distribution of electronic components. Based in Hongkong, we have already established firm and mutual-benefit business relationships with customers from,Europe,America and south Asia,supplying obsolete and hard-to-find components to meet their specific needs.

With the principle of “Quality Parts,Customers Priority,Honest Operation,and Considerate Service”,our business mainly focus on the distribution of electronic components. Line cards we deal with include Microchip,ALPS,ROHM,Xilinx,Pulse,ON,Everlight and Freescale. Main products comprise IC,Modules,Potentiometer,IC Socket,Relay,Connector.Our parts cover such applications as commercial,industrial, and automotives areas.

We are looking forward to setting up business relationship with you and hope to provide you with the best service and solution. Let us make a better world for our industry!



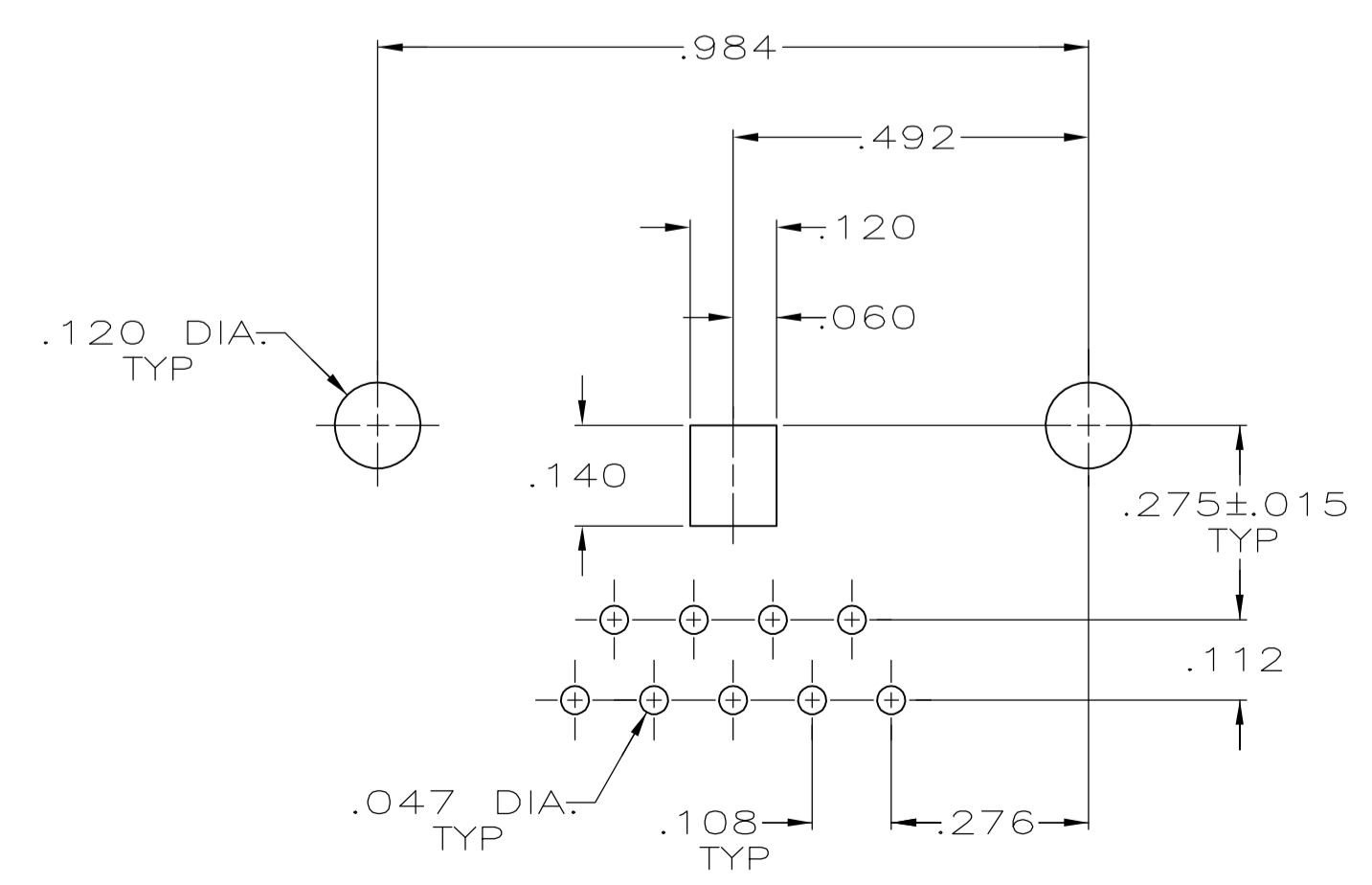
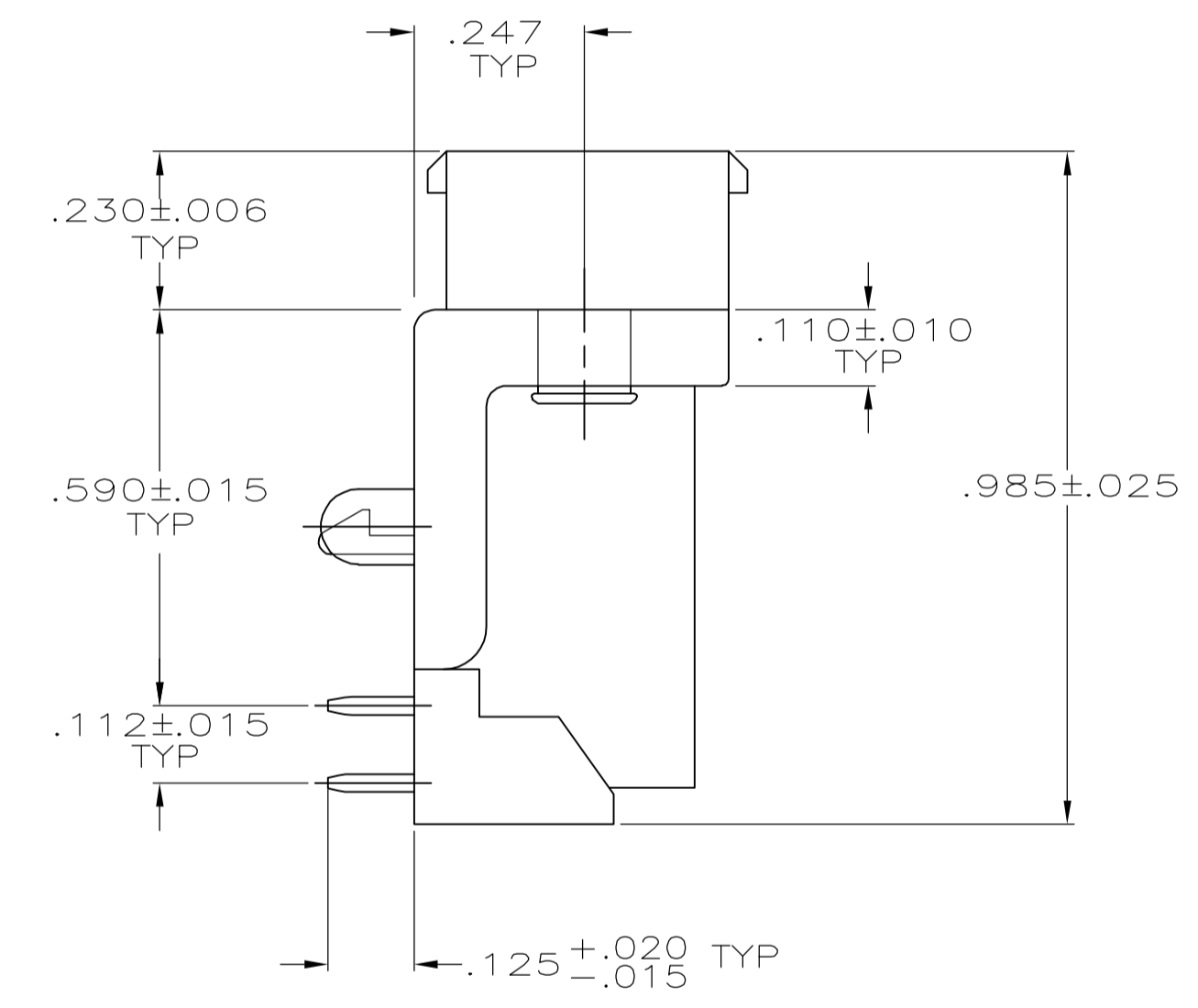
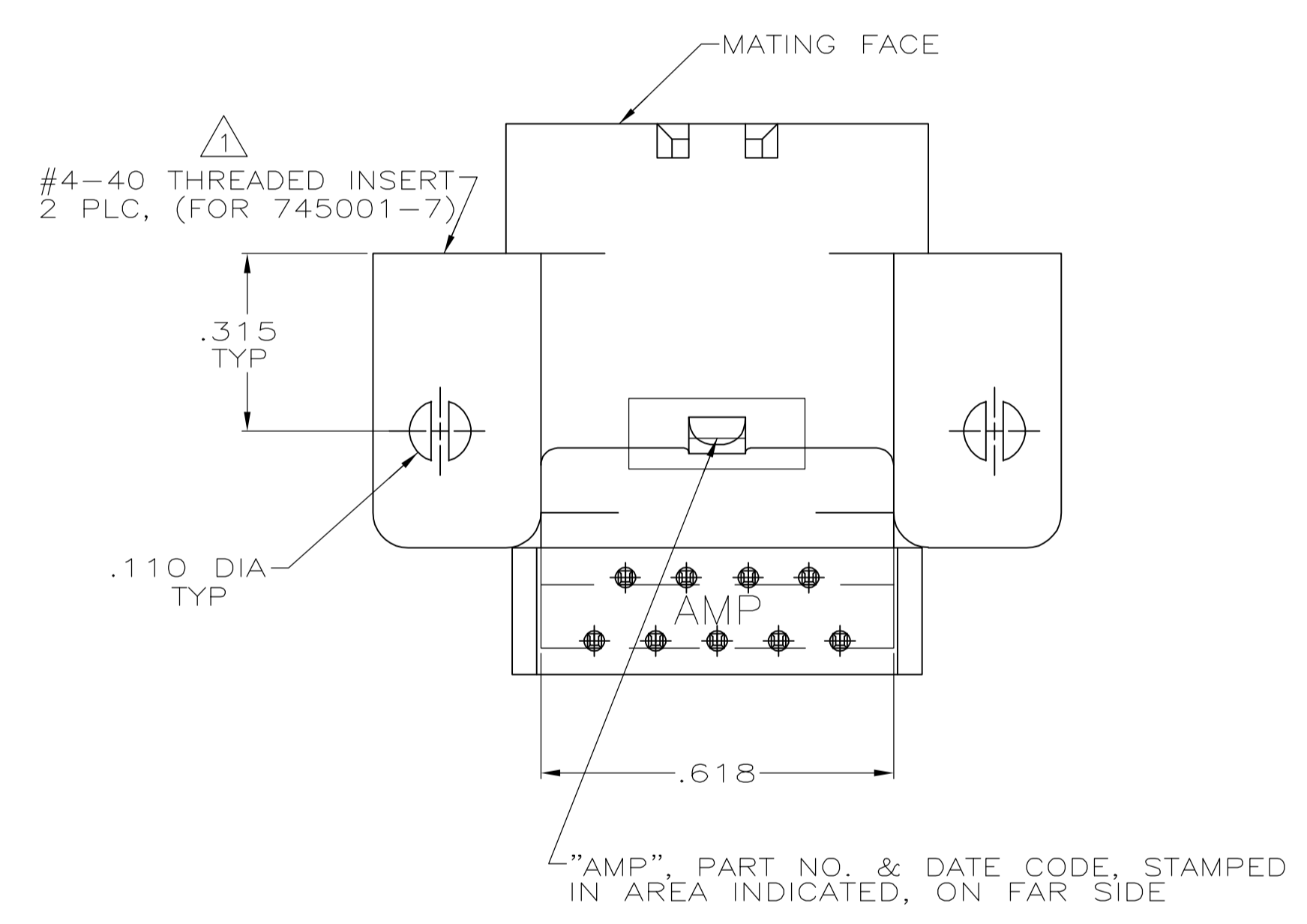
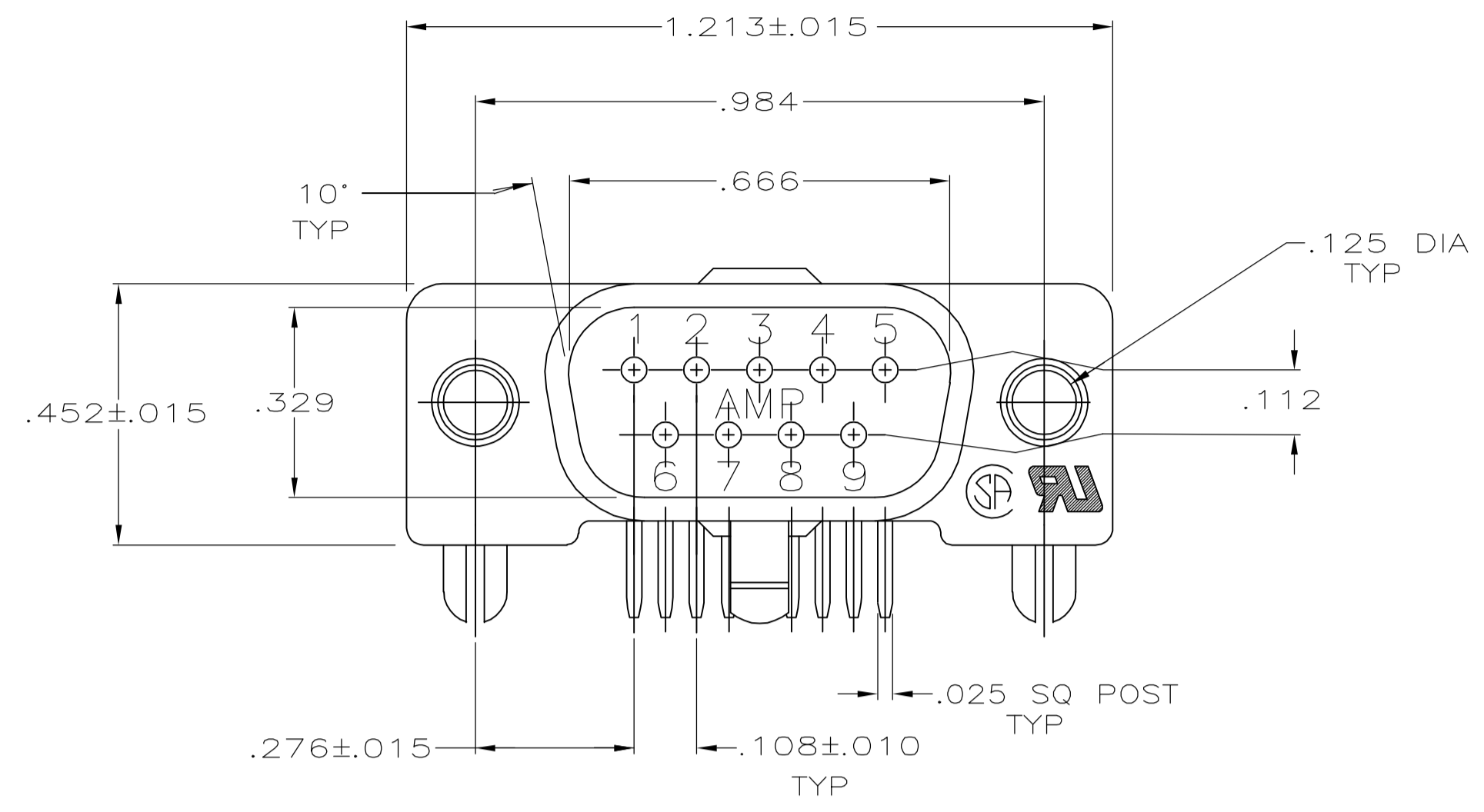
Contact us

Tel: +86-755-8981 8866 Fax: +86-755-8427 6832

Email & Skype: info@chipsmall.com Web: www.chipsmall.com

Address: A1208, Overseas Decoration Building, #122 Zhenhua RD., Futian, Shenzhen, China





P.C. BOARD MOUNTING DIMENSIONS
 (PUNCH FROM CONNECTOR SIDE ONLY)
 .062 PC BOARD THICKNESS

- ⚠ INSERTS WILL WITHSTAND 6 IN. LBS. TORQUE AND 50 LBS. PULL OUT FORCE FROM MATING FACE SIDE.
- ⚠ MOLDED PARTS: FLAME RETARDANT 94V-2 RATED NYLON, COLOR: BLACK
CONTACTS: BRASS
INSERTS: BRASS
- ⚠ GOLD PLATED FOR LENGTH OF .150 MIN FROM MATING END, .000030 MIN GOLD IN MATED AREA, .000100 MIN TIN-LEAD ON OPPOSITE END, BOTH OVER .000050 MIN NICKEL.
-OR-
GOLD FLASH OVER PALLADIUM NICKEL FOR A LENGTH OF .150 MIN FROM MATING END, .000030 MIN PALLADIUM NICKEL IN MATED AREA, .000100 MIN TIN-LEAD ON OPPOSITE END, BOTH OVER .000050 MIN NICKEL.
- ⚠ GOLD PLATED FOR LENGTH OF .150 MIN FROM MATING END, GOLD FLASH IN MATED AREA, .000100 MIN TIN-LEAD ON OPPOSITE END, BOTH OVER .000050 MIN NICKEL.

SUPERSEDED BY 745001-2	-	-	-	745001-9
OBSOLETE	-	-	-	745001-8
OBSOLETE	TUBES	WITH INSERTS	⚠	745001-7
OBSOLETE	-	-	-	745001-6
OBSOLETE	-	-	-	745001-5
	TUBES	WITH .125 DIA HOLE	⚠	745001-3
	TUBES	WITH .125 DIA HOLE	⚠	745001-2
OBSOLETE	-	-	-	745001-1
PACKAGING	REMARKS	CONTACT FINISH	PART NUMBER	

THIS DRAWING IS A CONTROLLED DOCUMENT.		DWN: K.FOLTZ 09/21/93	Tyco Electronics Corporation	
DIMENSIONS: INCHES		CHK: R.STONE 9-22-93	Harrisburg, PA 17105-3608	
TOLERANCES UNLESS OTHERWISE SPECIFIED:		APVD: J.L. DOMINGOS 9-23-93	NAME: PLUG ASSEMBLY, SIZE 1, 9 POSN., RIGHT ANGLE, .590 SERIES, .025 SQ. POSTS WITH PANEL LOCKS, AMPLIMITE™HJD	
0 PLC ± -		PRODUCT SPEC: 108-40025	SIZE: A1	
1 PLC ± -		APPLICATION SPEC: -	CAGE CODE: 00779	
2 PLC ± -		FINISH: -	DRAWING NO: 745001	
3 PLC ± .005		CONTACTS: SEE TABLE	RESTRICTED TO: -	
4 PLC ± -			SCALE: 4:1	
ANGLES ± ±			SHEET 1 OF 1	
MATERIAL: -		WEIGHT: -	REV: M	
CUSTOMER DRAWING				