



Chipsmall Limited consists of a professional team with an average of over 10 year of expertise in the distribution of electronic components. Based in Hongkong, we have already established firm and mutual-benefit business relationships with customers from,Europe,America and south Asia,supplying obsolete and hard-to-find components to meet their specific needs.

With the principle of “Quality Parts,Customers Priority,Honest Operation,and Considerate Service”,our business mainly focus on the distribution of electronic components. Line cards we deal with include Microchip,ALPS,ROHM,Xilinx,Pulse,ON,Everlight and Freescale. Main products comprise IC,Modules,Potentiometer,IC Socket,Relay,Connector.Our parts cover such applications as commercial,industrial, and automotives areas.

We are looking forward to setting up business relationship with you and hope to provide you with the best service and solution. Let us make a better world for our industry!



Contact us

Tel: +86-755-8981 8866 Fax: +86-755-8427 6832

Email & Skype: info@chipsmall.com Web: www.chipsmall.com

Address: A1208, Overseas Decoration Building, #122 Zhenhua RD., Futian, Shenzhen, China



4

3

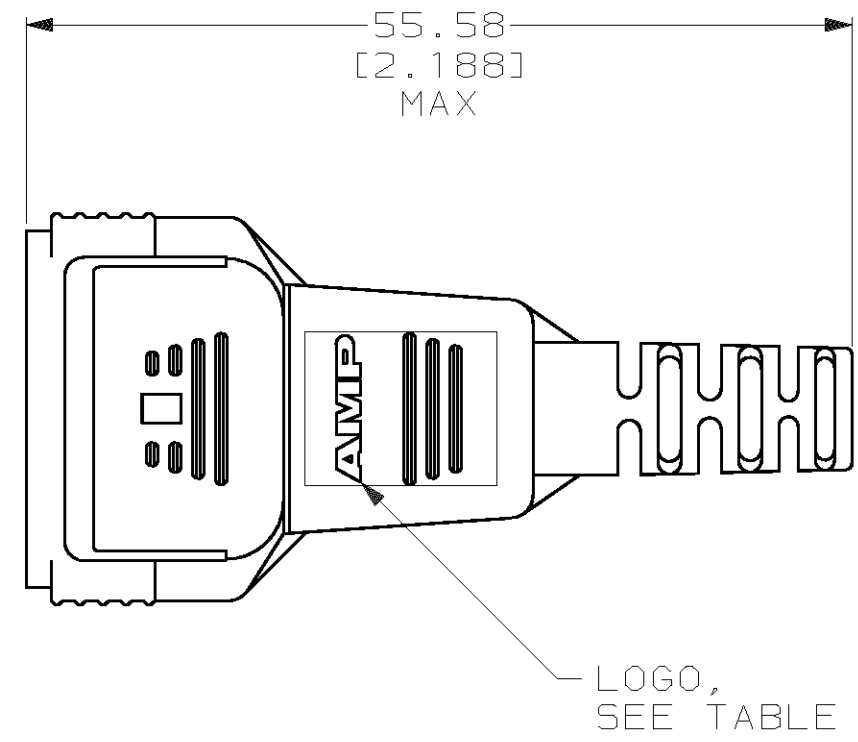
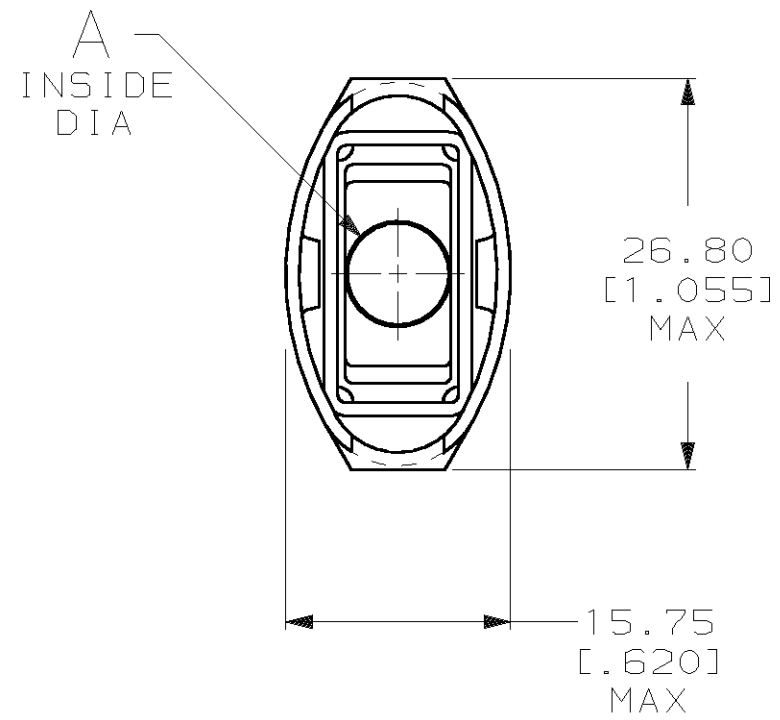
2

1

THIS DRAWING IS UNPUBLISHED. RELEASED FOR PUBLICATION, 19 .

© COPYRIGHT 19 BY AMP INCORPORATED. ALL RIGHTS RESERVED.

LOC	DIST	REVISIONS			
P	LTR	DESCRIPTION	DATE	DWN	APVD
BD	48				
	F	REVISED PER EC 0U1D-0260-00	13 SEP 01	JR	JG



SUPERSEDED BY 745002-1	5.08 [.200]	YES	745002-3
	6.73 [.265]	YES	745002-2
	5.08 [.200]	NO	745002-1
	A	LOGO	PART NUMBER

1. FOR CONTACT HOUSING, SEE DRAWING NUMBER 207752.

THIS DRAWING IS A CONTROLLED DOCUMENT.		DWN B. CARBO 08 JAN 99	AMP Incorporated Harrisburg, PA 17105-3608	
DIMENSIONS: mm [INCHES]		CHK R. STONE 02 MAR 98		
TOLERANCES UNLESS OTHERWISE SPECIFIED:		APVD R. TAYLOR 02 MAR 98	NAME CORD GUARD, 9 POSN, AMPLIMITE™	
0 PLC ±- 1 PLC ±- 2 PLC ±0.13 [.005] 3 PLC ±- 4 PLC ±- ANGLES ±-		PRODUCT SPEC -	RESTRICTED TO -	
MATERIAL THERMOPLASTIC, BLACK		FINISH -	APPLICATION SPEC -	WEIGHT -
		CUSTOMER DRAWING	SIZE A3	CAGE CODE 00779
			DRAWING NO C- 745002	SCALE 2:1
			SHEET 1	OF 1
			REV F	