



Chipsmall Limited consists of a professional team with an average of over 10 year of expertise in the distribution of electronic components. Based in Hongkong, we have already established firm and mutual-benefit business relationships with customers from,Europe,America and south Asia,supplying obsolete and hard-to-find components to meet their specific needs.

With the principle of "Quality Parts,Customers Priority,Honest Operation,and Considerate Service",our business mainly focus on the distribution of electronic components. Line cards we deal with include Microchip,ALPS,ROHM,Xilinx,Pulse,ON,Everlight and Freescale. Main products comprise IC,Modules,Potentiometer,IC Socket,Relay,Connector.Our parts cover such applications as commercial,industrial, and automotives areas.

We are looking forward to setting up business relationship with you and hope to provide you with the best service and solution. Let us make a better world for our industry!



## Contact us

Tel: +86-755-8981 8866 Fax: +86-755-8427 6832

Email & Skype: info@chipsmall.com Web: www.chipsmall.com

Address: A1208, Overseas Decoration Building, #122 Zhenhua RD., Futian, Shenzhen, China



© COPYRIGHT 1979 BY AMP INCORPORATED, HARRISBURG, PA. ALL INTERNATIONAL RIGHTS RESERVED. AMP INCORPORATED PRODUCTS COVERED BY U. S. AND FOREIGN PATENTS AND/OR PATENTS PENDING.

3

2

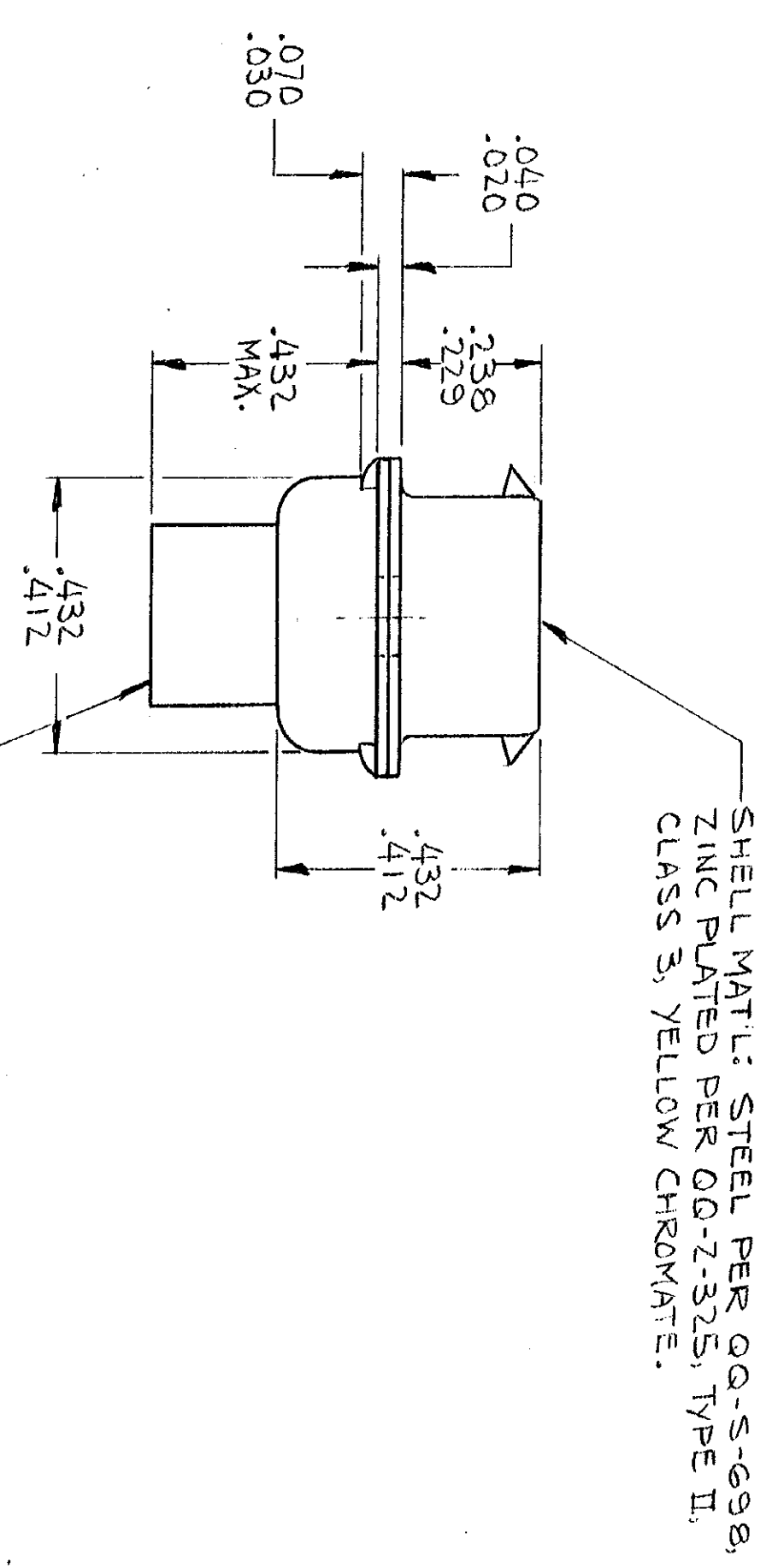
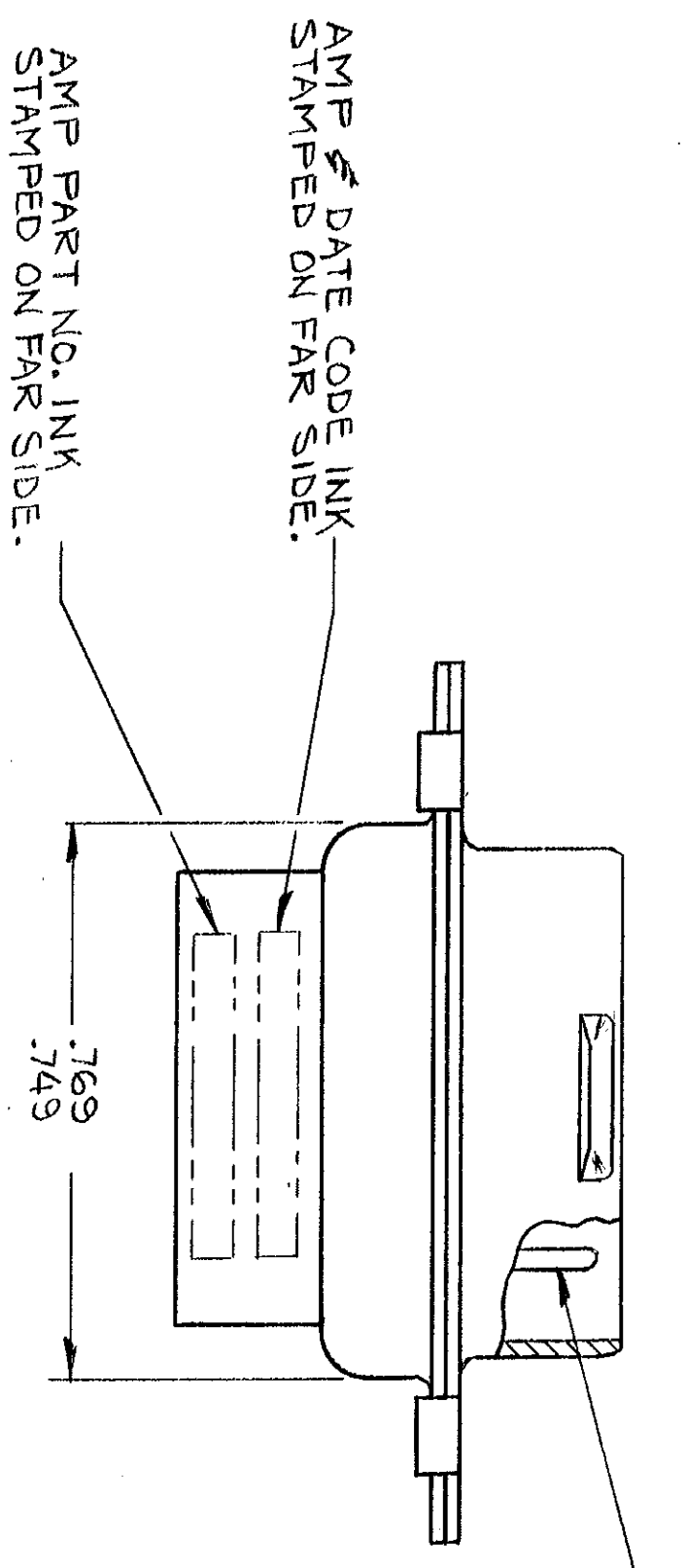
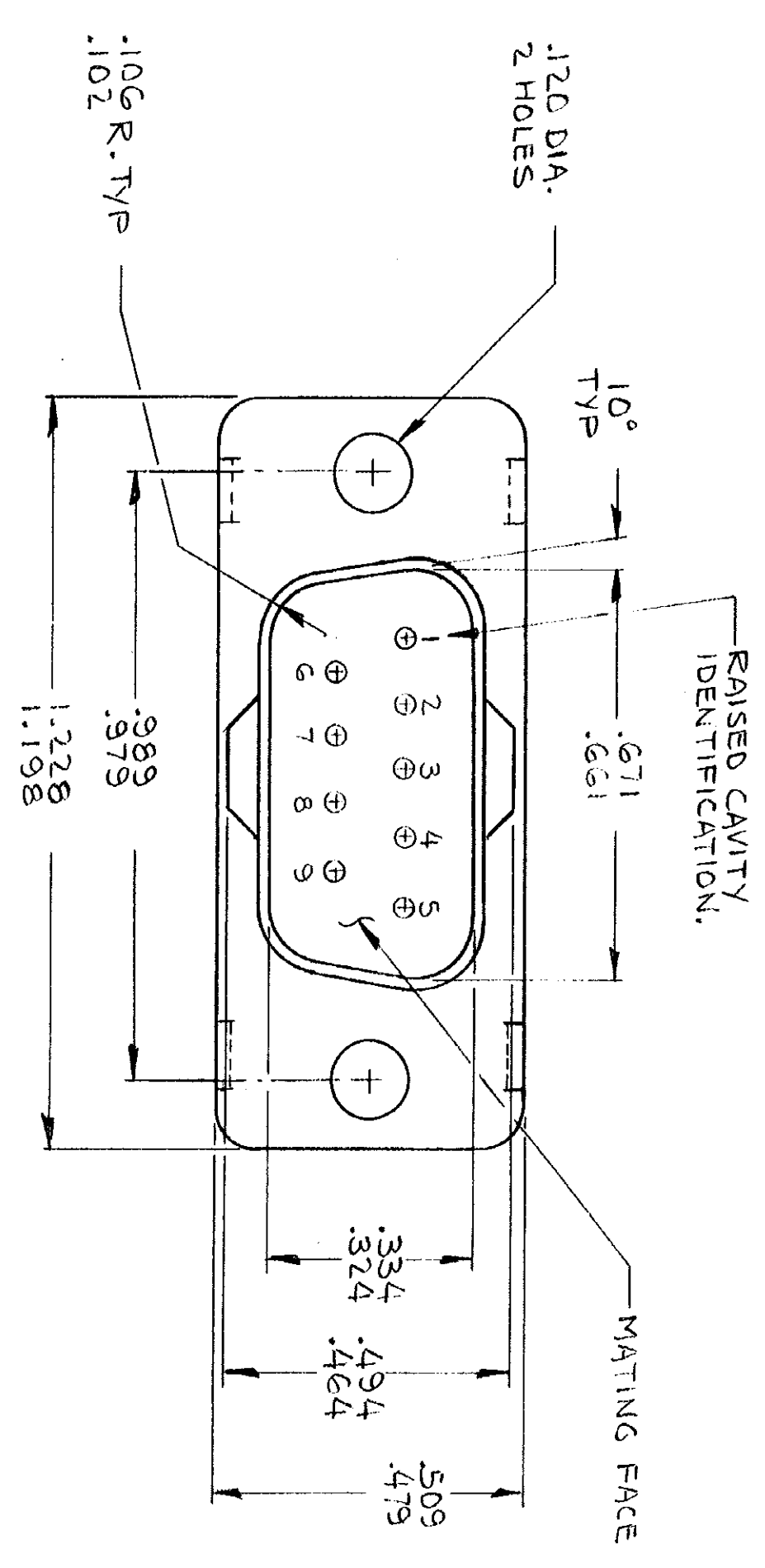
1

Loc Bist 80 39

745018-1  
OBSOLETE -745018-2

1. AS SHOWN
1. SAME AS -1 EXCEPT:  
2. IN KIT FORM, ONE CONNECTOR AND NINE SOLDER CUP CONTACTS PER POLY BAG.

REVISIONS		DATE	APPROVED
P	F/ZONE/LTR	DESCRIPTION	
0		RELEASE	
1		OBSOLETE -2 PER ECN 1430	3/88/CKR/SN



1. THIS PLUG ACCEPTS SIZE 20 PIN CONTACTS AND CONFORMS TO AMP SPEC 108-10020 WHERE APPLICABLE.
2. MAXIMUM WIRE INSULATION RECOMMENDED FOR USE WITH THIS PLUG IS .068 DIA. MAX.
3. CONTACTS ARE SHOWN FOR ILLUSTRATION ONLY AND ARE NOT PART OF CONNECTOR PACKAGE, MUST BE ORDERED SEPARATELY OR IN KIT FORM.
4. INSERTION/EXTRACTION TOOL AMP P/N 91067-3 IS RECOMMENDED FOR USE WITH THIS PLUG.
5. CONTACT RETENTION TIMES ARE AN INTEGRAL PART OF INSERT.

UNLESS OTHERWISE SPECIFIED DIMENSIONS ARE IN INCHES. TOLERANCES ON: DECIMALS ±.005 ANGLES		CONTRACT NO		PART NO	
MATERIAL		DR		AMP	
SEE CALLOUT		8/7/79		AMP INCORPORATED Harrisburg, Pa.	
SEE CALLOUT		CHK		NAME	
SEE CALLOUT		8/21/79		PLUG CONNECTOR, SIZE J, 9 POSITION, SERIES HDP (SPECIAL)	
FINISH		APPR		SIZE CODE IDENT NO/DRAWING NO	
SEE CALLOUT		8/28/79		C 00779 745018	
OTHER APPD		9/20/79		SCALE	
				SHEET	

CUSTOMER DRAWING

745018