



Chipsmall Limited consists of a professional team with an average of over 10 year of expertise in the distribution of electronic components. Based in Hongkong, we have already established firm and mutual-benefit business relationships with customers from,Europe,America and south Asia,supplying obsolete and hard-to-find components to meet their specific needs.

With the principle of "Quality Parts,Customers Priority,Honest Operation,and Considerate Service",our business mainly focus on the distribution of electronic components. Line cards we deal with include Microchip,ALPS,ROHM,Xilinx,Pulse,ON,Everlight and Freescale. Main products comprise IC,Modules,Potentiometer,IC Socket,Relay,Connector.Our parts cover such applications as commercial,industrial, and automotives areas.

We are looking forward to setting up business relationship with you and hope to provide you with the best service and solution. Let us make a better world for our industry!



## Contact us

Tel: +86-755-8981 8866 Fax: +86-755-8427 6832

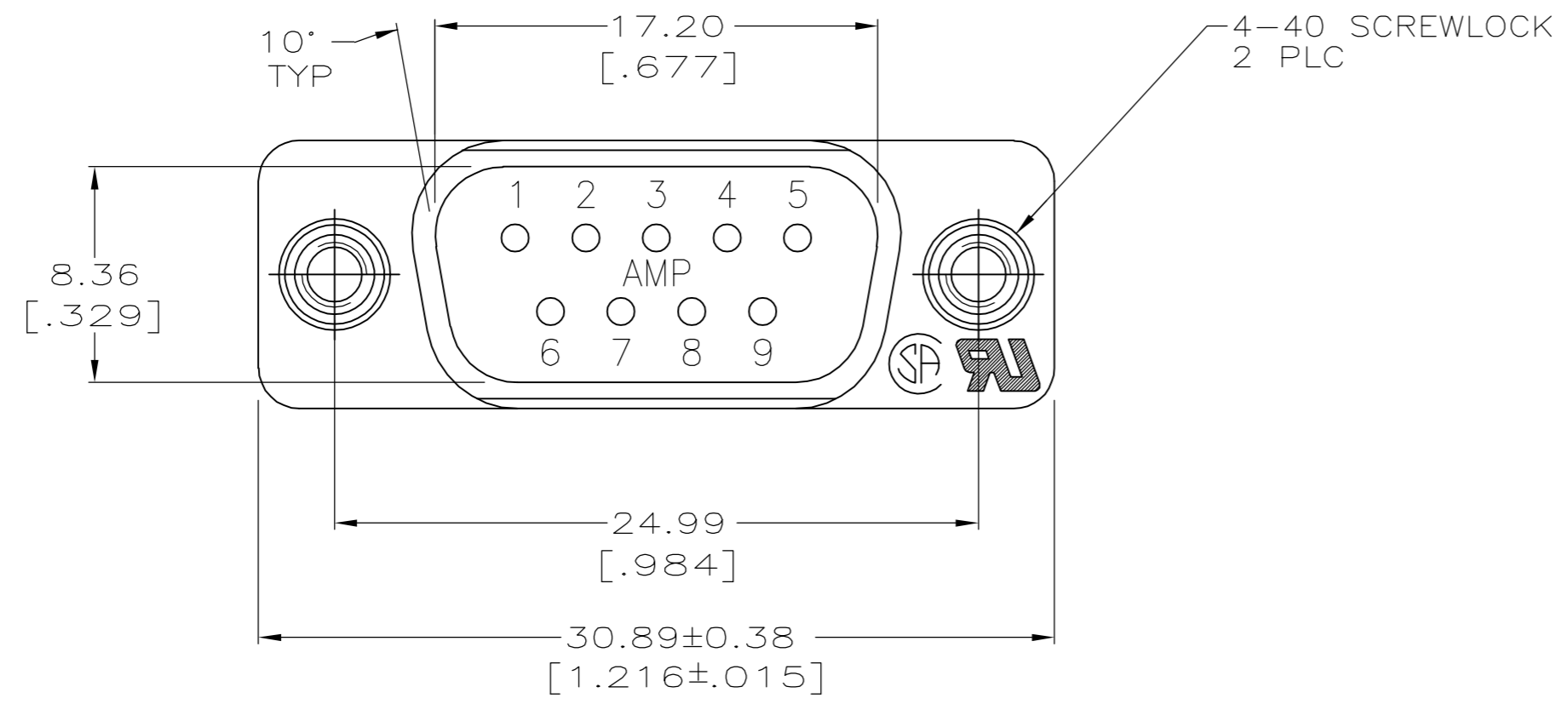
Email & Skype: info@chipsmall.com Web: www.chipsmall.com

Address: A1208, Overseas Decoration Building, #122 Zhenhua RD., Futian, Shenzhen, China

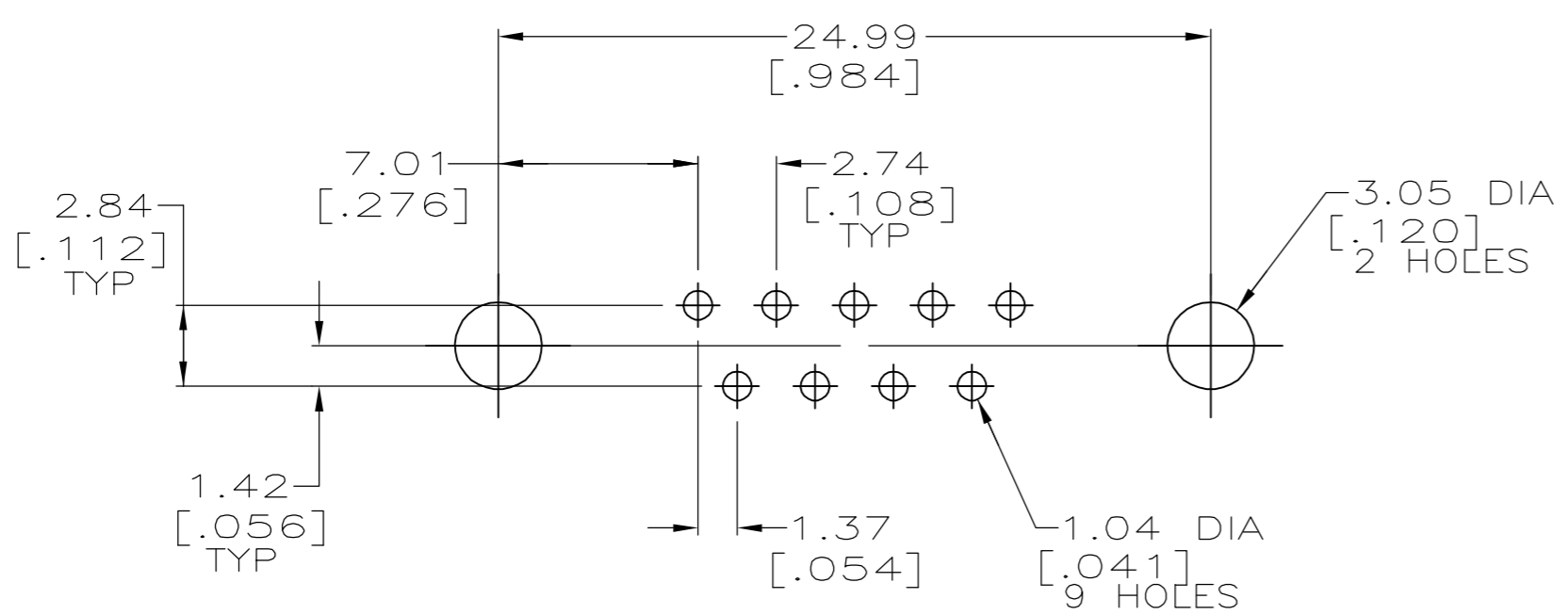
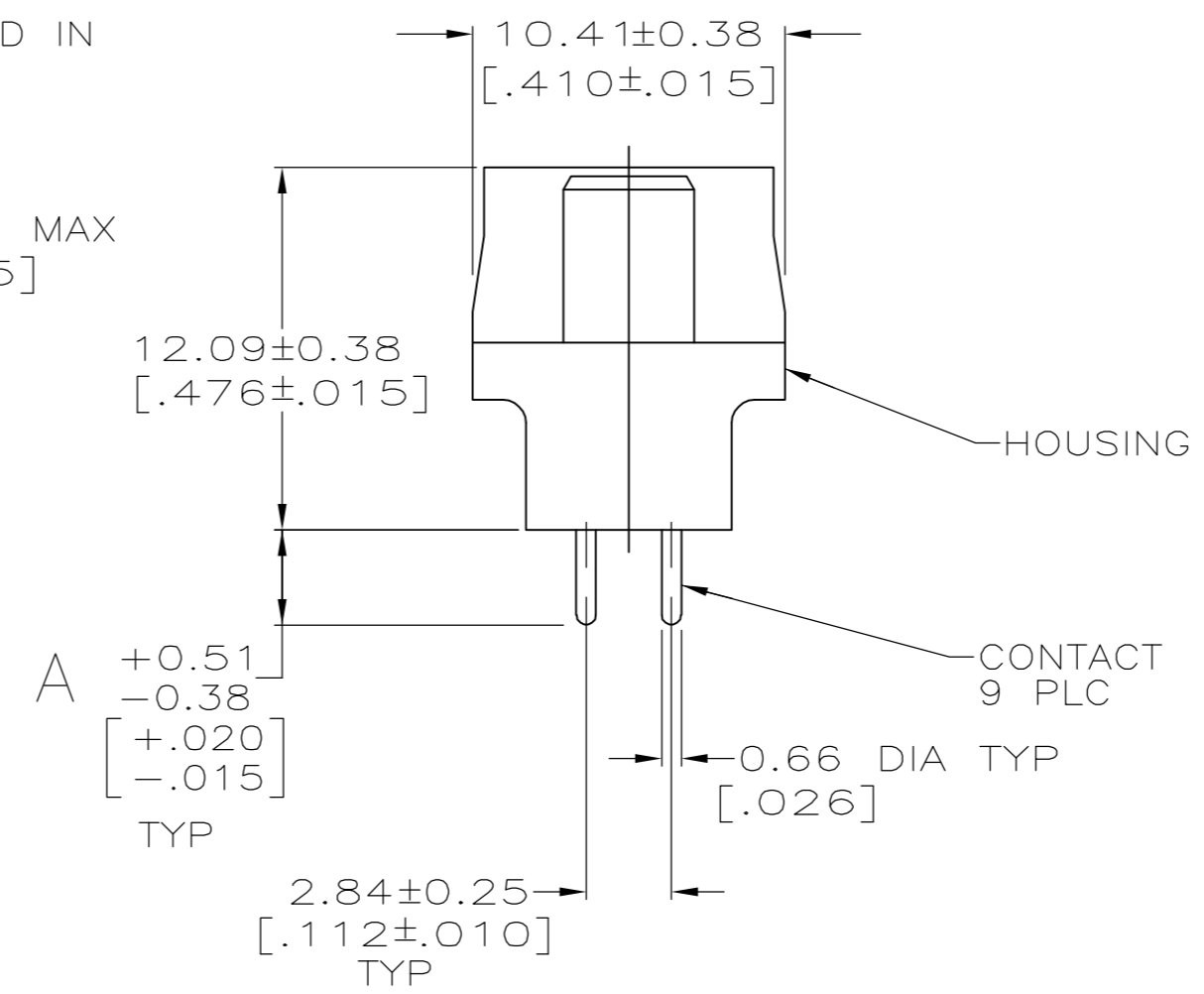
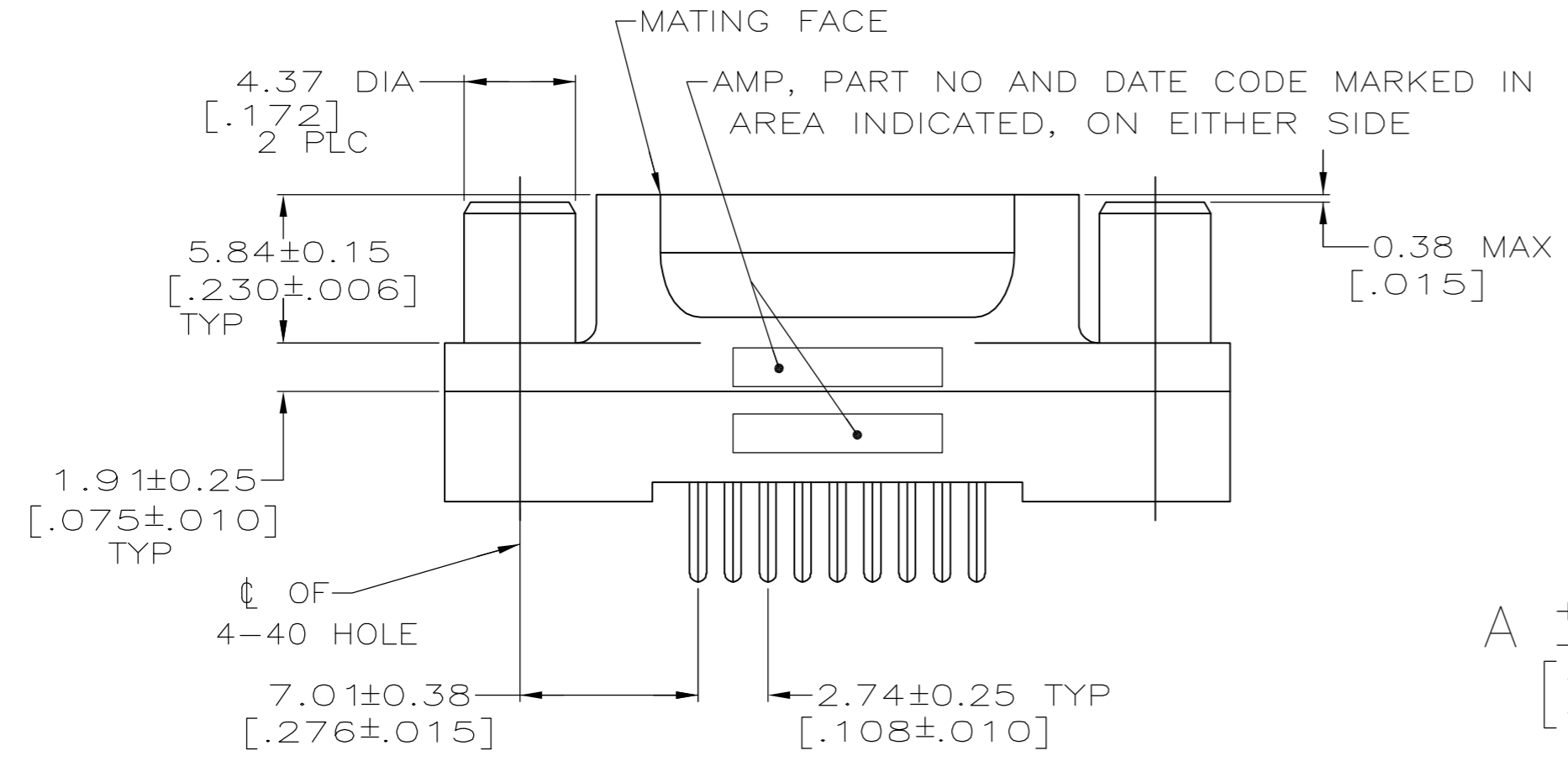


THIS DRAWING IS UNPUBLISHED. RELEASED FOR PUBLICATION  
 © COPYRIGHT BY TYCO ELECTRONICS CORPORATION. ALL RIGHTS RESERVED.

LOC	DIST	REVISIONS			
P	LTR	DESCRIPTION	DATE	DWN	APVD
GP	00	H	REVISED PER ECO-06-028338	11/DEC/06	ZMR/EDB



- ① HOUSING: BLACK POLYESTER, UL 94V-0 RATED;  
CONTACTS: BRASS  
SCREWLOCK: BRASS
- ② GOLD PLATED FOR LENGTH OF 3.81 [.150] MIN FROM MATING END, GOLD FLASH IN MATED AREA, 2.54µm [.000100] MIN TIN OR TIN-LEAD FOR A LENGTH OF DIMENSION A FROM OPPOSITE END, BOTH OVER 1.27µm [.000050] MIN NICKEL.
- ③ GOLD PLATED FOR LENGTH OF 3.81 [.150] MIN FROM MATING END, 0.76µm [.000030] MIN GOLD IN MATED AREA, 2.54µm [.000100] MIN TIN OR TIN-LEAD FOR A LENGTH OF DIMENSION A FROM OPPOSITE END, BOTH OVER 1.27µm [.000050] MIN NICKEL.  
-OR-  
GOLD FLASH OVER PALLADIUM NICKEL FOR A LENGTH OF 3.81 [.150] MIN FROM MATING END, 0.76µm [.000030] MIN PALLADIUM NICKEL IN MATED AREA, 2.54µm [.000100] MIN TIN OR TIN-LEAD FOR A LENGTH OF DIMENSION A FROM OPPOSITE END, BOTH OVER 1.27µm [.000050] MIN NICKEL.
- ④ 1.27µm [.000050] MIN NICKEL OVER COPPER FLASH.



RECOMMENDED PC BOARD MOUNTING DIMENSIONS

	DIMENSION A	CONTACT FINISH	PART NUMBER
OBSOLETE	6.35 [.250]	③	745071-6
OBSOLETE	6.35 [.250]	②	745071-5
	4.32 [.170]	③	745071-4
OBSOLETE	4.32 [.170]	②	745071-3
	3.18 [.125]	③	745071-2
	3.18 [.125]	②	745071-1

THIS DRAWING IS A CONTROLLED DOCUMENT.		DWN J McCLINTON 11-14-89	Tyco Electronics Corporation Harrisburg, PA 17105-3608	
DIMENSIONS: mm [INCHES]		CHK R.STONE 2-1-90		
TOLERANCES UNLESS OTHERWISE SPECIFIED:		APVD C. ROHDE 2-2-90	NAME	
0 PLC ± -	1 PLC ± -	PRODUCT SPEC 108-40025	PLUG ASSEMBLY, SIZE 1, 9 POSN, VERTICAL, AMPLIMITE® HD-20	
2 PLC ± 0.13 [.005]	3 PLC ± -	APPLICATION SPEC	SIZE A2	CAGE CODE 00779
4 PLC ± -	ANGLES ± 2°	MATERIAL	DRAWING NO C=745071	RESTRICTED TO
FINISH SCREWLOCK ④	CONTACT: SEE TABLE	WEIGHT -	SCALE NTS	SHEET 1 OF 1
CUSTOMER DRAWING			REV H	