



Chipsmall Limited consists of a professional team with an average of over 10 year of expertise in the distribution of electronic components. Based in Hongkong, we have already established firm and mutual-benefit business relationships with customers from,Europe,America and south Asia,supplying obsolete and hard-to-find components to meet their specific needs.

With the principle of “Quality Parts,Customers Priority,Honest Operation,and Considerate Service”,our business mainly focus on the distribution of electronic components. Line cards we deal with include Microchip,ALPS,ROHM,Xilinx,Pulse,ON,Everlight and Freescale. Main products comprise IC,Modules,Potentiometer,IC Socket,Relay,Connector.Our parts cover such applications as commercial,industrial, and automotives areas.

We are looking forward to setting up business relationship with you and hope to provide you with the best service and solution. Let us make a better world for our industry!



Contact us

Tel: +86-755-8981 8866 Fax: +86-755-8427 6832

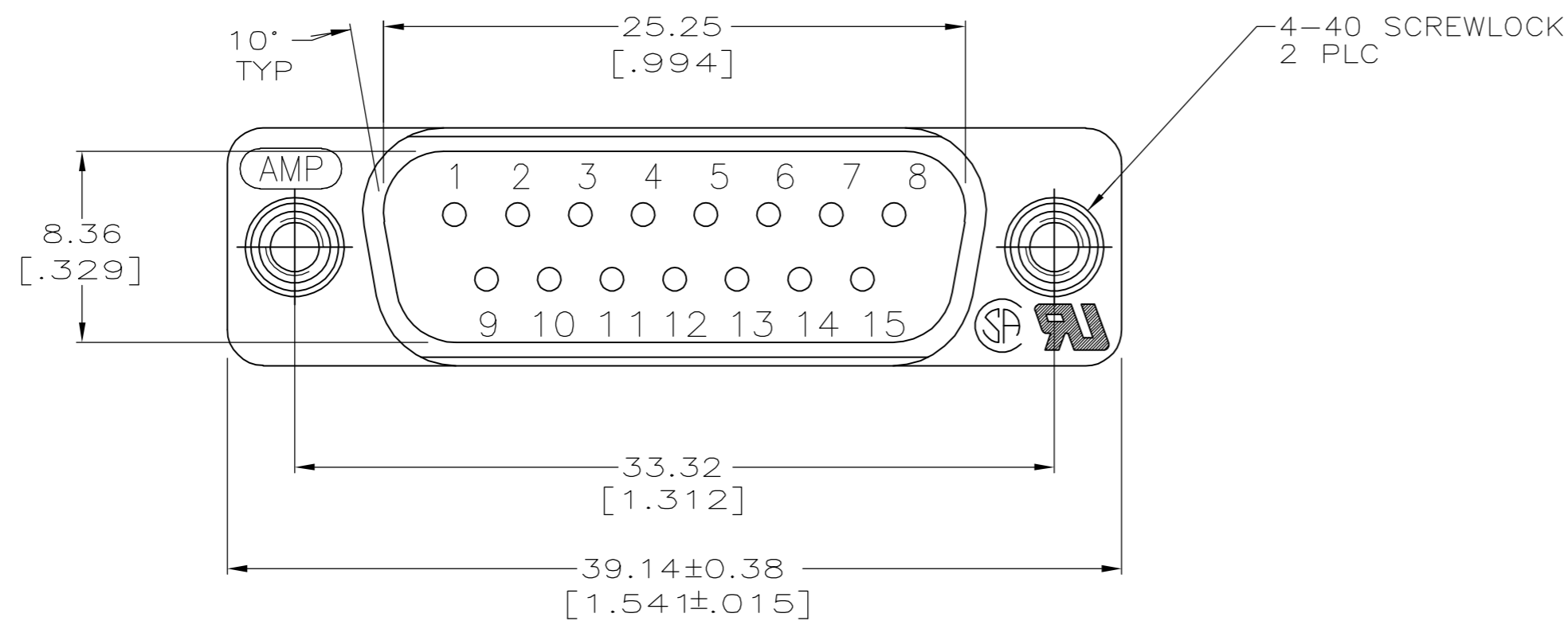
Email & Skype: info@chipsmall.com Web: www.chipsmall.com

Address: A1208, Overseas Decoration Building, #122 Zhenhua RD., Futian, Shenzhen, China

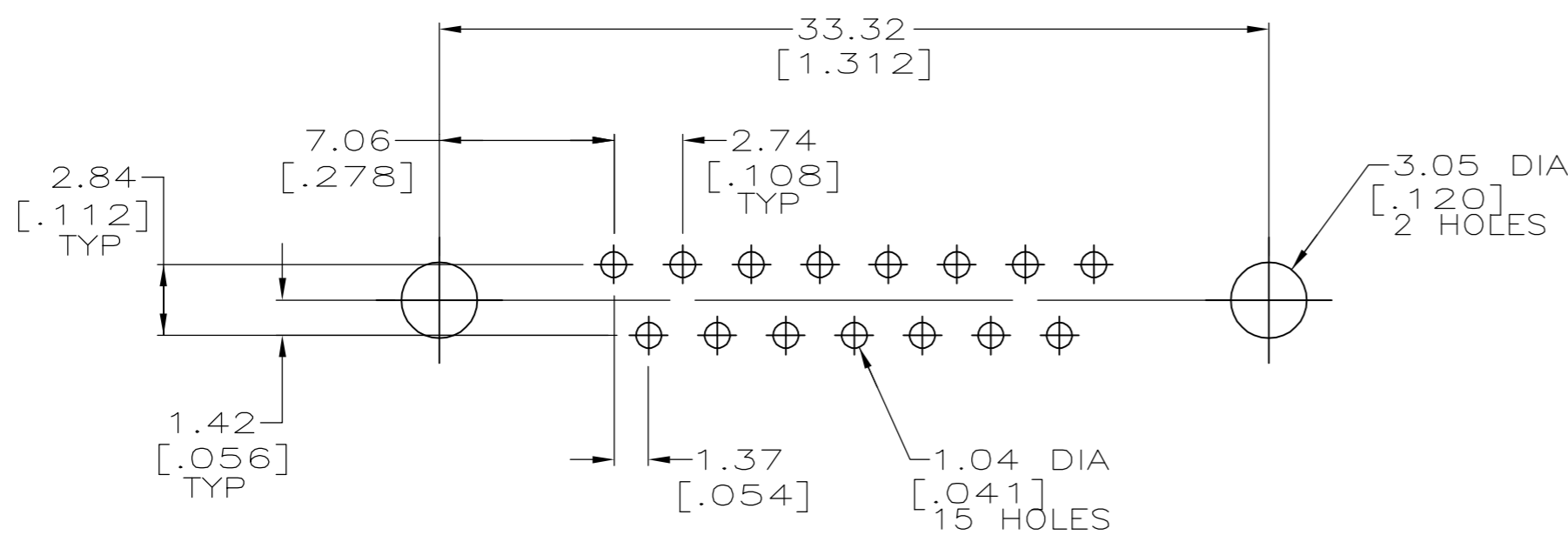
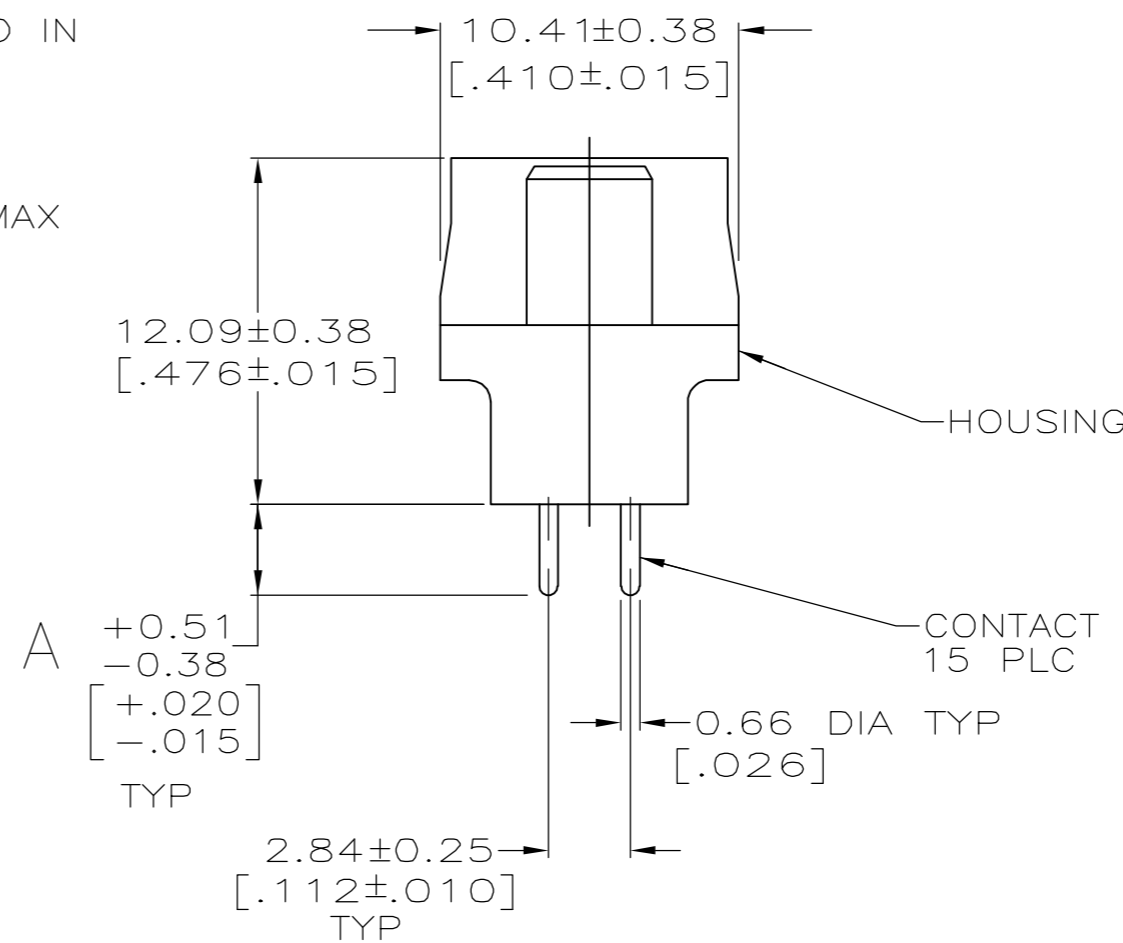
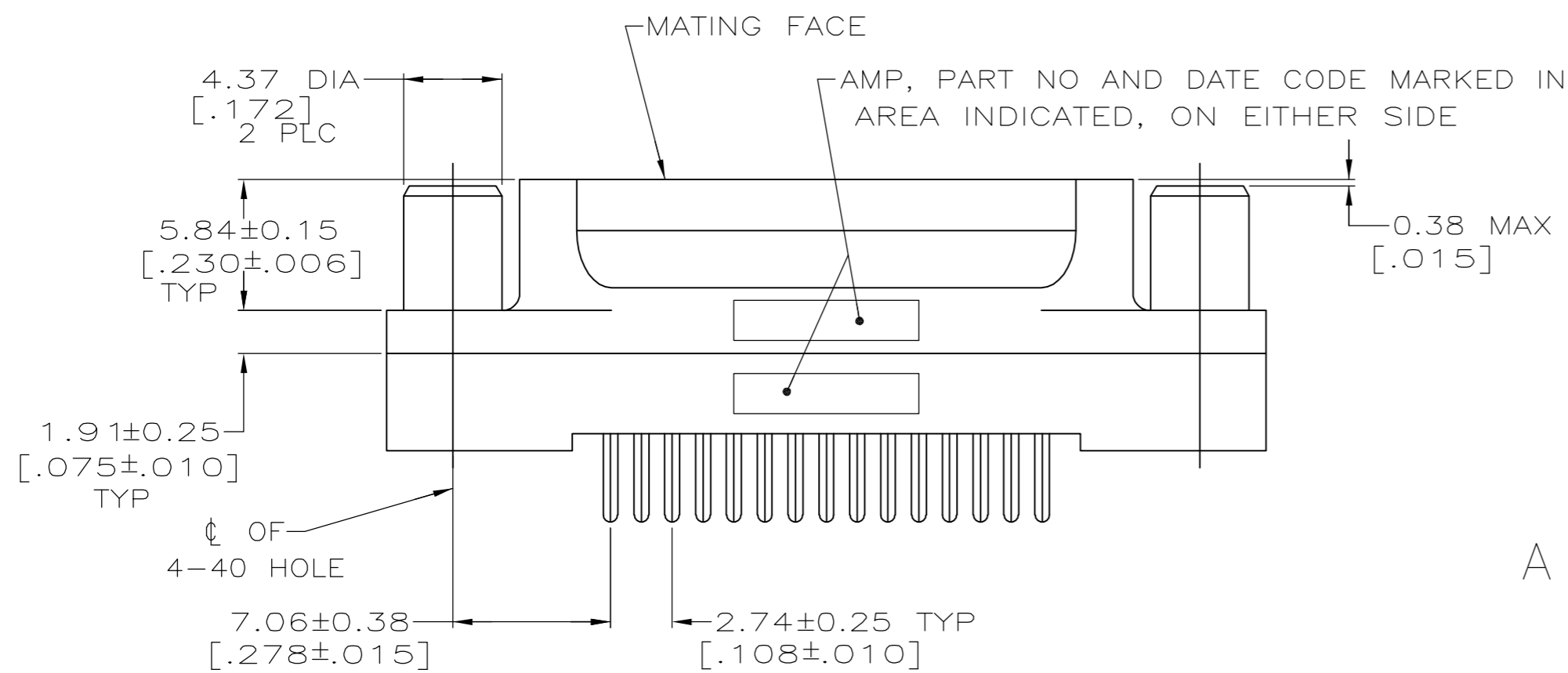


THIS DRAWING IS UNPUBLISHED. RELEASED FOR PUBLICATION
 © COPYRIGHT BY TYCO ELECTRONICS CORPORATION. ALL RIGHTS RESERVED.

LOC		DIST		REVISIONS			
GP	00	P	LTR	DESCRIPTION	DATE	DWN	APVD
		L		REVISED PER ECO-06-028338	11/DEC/06	ZMR	EDB



- ① HOUSING: BLACK POLYESTER, UL 94V-0 RATED;
CONTACTS: BRASS
SCREWLOCK: BRASS
- ② GOLD PLATED FOR LENGTH OF 3.81 [.150] MIN FROM MATING END, GOLD FLASH IN MATED AREA, 2.54µm [.000100] MIN TIN OR TIN-LEAD FOR A LENGTH OF DIMENSION A FROM OPPOSITE END, BOTH OVER 1.27µm [.000050] MIN NICKEL.
- ③ GOLD PLATED FOR LENGTH OF 3.81 [.150] MIN FROM MATING END, 0.76µm [.000030] MIN GOLD IN MATED AREA, 2.54µm [.000100] MIN TIN OR TIN-LEAD FOR A LENGTH OF DIMENSION A FROM OPPOSITE END, BOTH OVER 1.27µm [.000050] MIN NICKEL.
-OR-
GOLD FLASH OVER PALLADIUM NICKEL FOR A LENGTH OF 3.81 [.150] MIN FROM MATING END, 0.76µm [.000030] MIN PALLADIUM NICKEL IN MATED AREA, 2.54µm [.000100] MIN TIN OR TIN-LEAD FOR A LENGTH OF DIMENSION A FROM OPPOSITE END, BOTH OVER 1.27µm [.000050] MIN NICKEL.
- ④ 1.27µm [.000050] MIN NICKEL OVER COPPER FLASH.



OBSOLETE	6.35 [.250]	③	745072-6
OBSOLETE	6.35 [.250]	②	745072-5
	4.32 [.170]	③	745072-4
SUPERSEDED BY 745072-4		②	745072-3
	3.18 [.125]	③	745072-2
OBSOLETE	3.18 [.125]	②	745072-1
	DIMENSION A	CONTACT FINISH	PART NUMBER

THIS DRAWING IS A CONTROLLED DOCUMENT.		DWN	J McCLINTON	11-15-89	 Tyco Electronics Corporation Harrisburg, PA 17105-3608
DIMENSIONS: mm [INCHES]		CHK	R.STONE	2-1-90	
TOLERANCES UNLESS OTHERWISE SPECIFIED:		APVD	C. ROHDE	2-2-90	NAME ① PLUG ASSEMBLY, SIZE 2, 15 POSN, VERTICAL, AMPLIMITE HD-20
0 PLC ± -		PRODUCT SPEC	108-40025	APPLICATION SPEC	
1 PLC ± -		WEIGHT	-	SCALE	SIZE
2 PLC ± 0.13 [.005]		CUSTOMER DRAWING		NTS	A2
3 PLC ± -		FINISH	SCREWLOCK ④	CONTACT: SEE TABLE	CAGE CODE
4 PLC ± -		CONTACT: SEE TABLE			00779
ANGLES ± 2°					DRAWING NO
					C=745072
					RESTRICTED TO
					-
					SHEET
					1 OF 1
					REV
					L