



Chipsmall Limited consists of a professional team with an average of over 10 year of expertise in the distribution of electronic components. Based in Hongkong, we have already established firm and mutual-benefit business relationships with customers from,Europe,America and south Asia,supplying obsolete and hard-to-find components to meet their specific needs.

With the principle of “Quality Parts,Customers Priority,Honest Operation,and Considerate Service”,our business mainly focus on the distribution of electronic components. Line cards we deal with include Microchip,ALPS,ROHM,Xilinx,Pulse,ON,Everlight and Freescale. Main products comprise IC,Modules,Potentiometer,IC Socket,Relay,Connector.Our parts cover such applications as commercial,industrial, and automotives areas.

We are looking forward to setting up business relationship with you and hope to provide you with the best service and solution. Let us make a better world for our industry!



Contact us

Tel: +86-755-8981 8866 Fax: +86-755-8427 6832

Email & Skype: info@chipsmall.com Web: www.chipsmall.com

Address: A1208, Overseas Decoration Building, #122 Zhenhua RD., Futian, Shenzhen, China

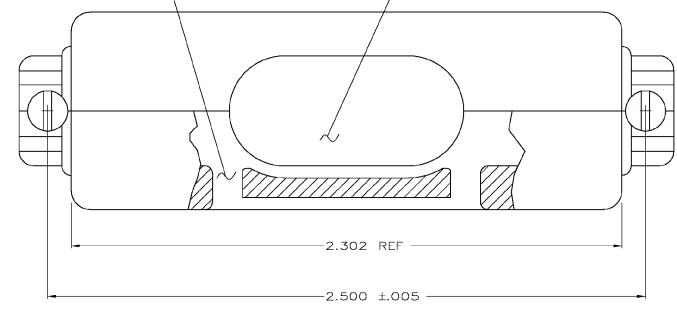


REVISONS		DATE	BY	APP'D
GP	00			
F	01			
B		REVISED PER EC 0613-0512-03	OSMARD4	BM JG

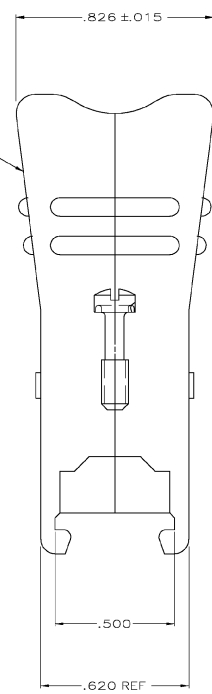
- 1 THIS PART WILL FIT ANY SIZE 4 PLUG OR RECEPTACLE IN THE AMPLITE SERIES CONNECTOR.
- 2 ALL PARTS ARE PACKAGED UNASSEMBLED.
- ⚠ ONE KIT PER POLY BAG.
- ⚠ SAME AS -1 EXCEPT BULK PACKAGED

INTERNAL CABLE TIE OPENINGS

CABLE OPENING OF .358 SQUARE INCHES \approx .675 DIA

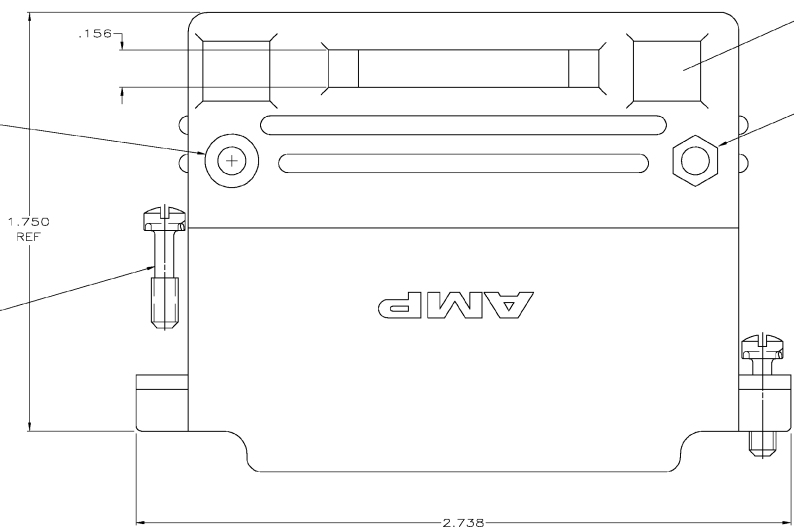


TWO PIECE CABLE SUPPORT HOUSING MATERIAL-THERMOPLASTIC GRAY



#4-40 STEEL SCREW ZINC PLATED 2 REQUIRED

#4-40 CRS SCREW ZINC PLATED 2 REQUIRED



EXTERNAL CABLE TIE OPENINGS

#4-40 HEX NUT STEEL/ZINC PLATED

⚠	745081-2
⚠	745081-1
PACKAGING	PART NUMBER

THIS DRAWING IS A CONTROLLED DOCUMENT.		DR: MCMMASTER	ENGR: [blank]	DATE: [blank]
DRAWN: M. WALMSLEY		CHK: [blank]	APP: [blank]	DATE: [blank]
MATERIAL: SEE CALLOUT		FINISH: SEE CALLOUT	REMARK: CUSTOMER DRAWING	SCALE: 4:1
SIZE: A1		DATE CODE: 00779	DRAWING NO: 745081	RESTRICTED TO: [blank]
SHEET: 1		OF: 1		REV: B