



Chipsmall Limited consists of a professional team with an average of over 10 year of expertise in the distribution of electronic components. Based in Hongkong, we have already established firm and mutual-benefit business relationships with customers from,Europe,America and south Asia,supplying obsolete and hard-to-find components to meet their specific needs.

With the principle of “Quality Parts,Customers Priority,Honest Operation,and Considerate Service”,our business mainly focus on the distribution of electronic components. Line cards we deal with include Microchip,ALPS,ROHM,Xilinx,Pulse,ON,Everlight and Freescale. Main products comprise IC,Modules,Potentiometer,IC Socket,Relay,Connector.Our parts cover such applications as commercial,industrial, and automotives areas.

We are looking forward to setting up business relationship with you and hope to provide you with the best service and solution. Let us make a better world for our industry!



Contact us

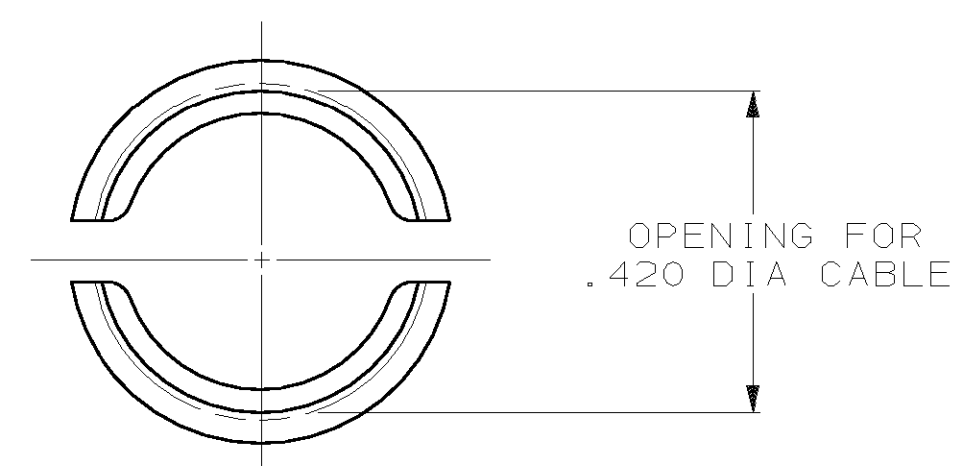
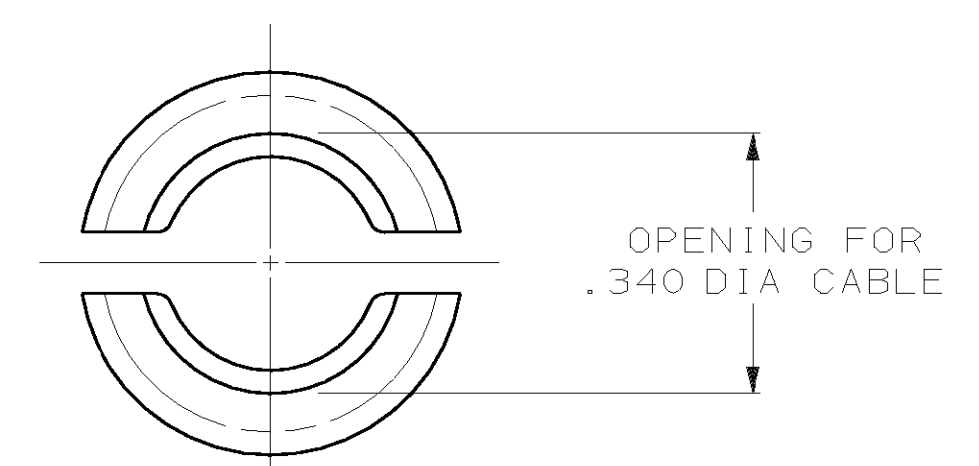
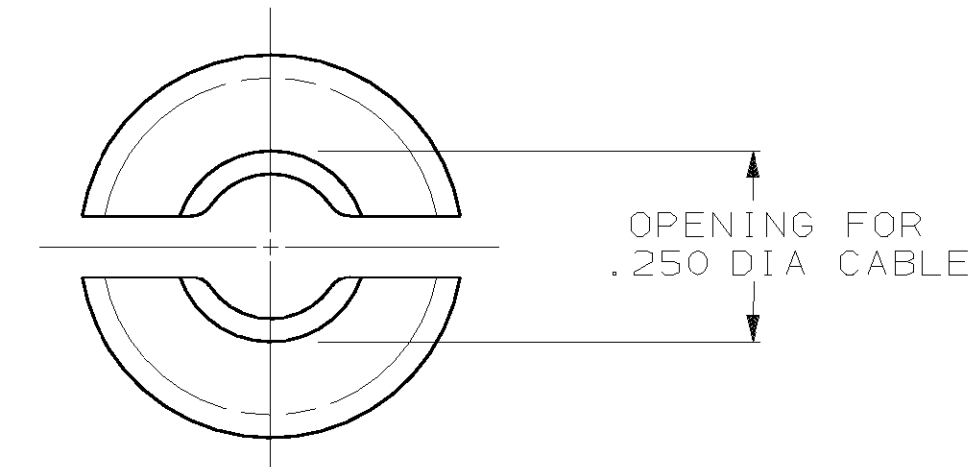
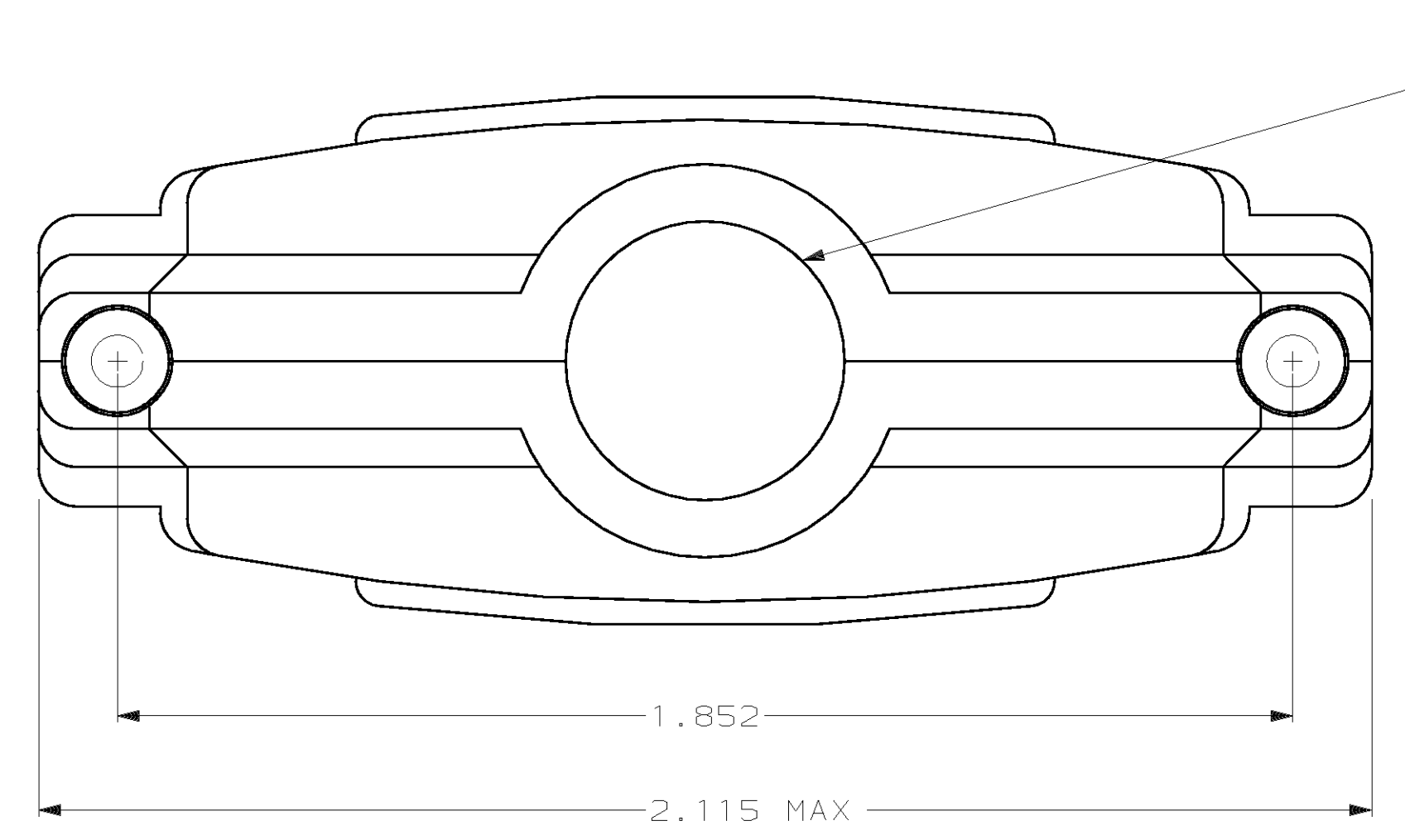
Tel: +86-755-8981 8866 Fax: +86-755-8427 6832

Email & Skype: info@chipsmall.com Web: www.chipsmall.com

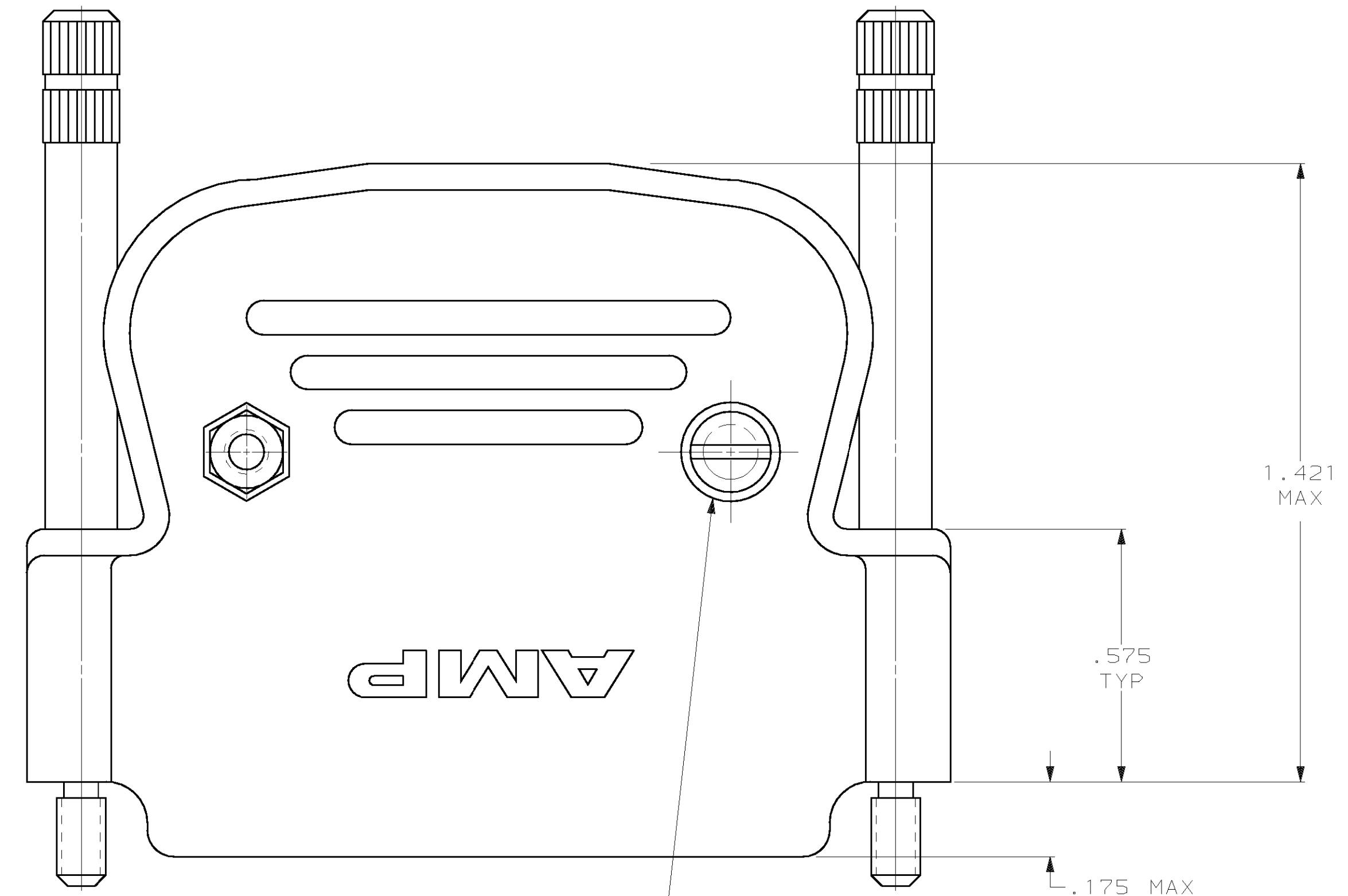
Address: A1208, Overseas Decoration Building, #122 Zhenhua RD., Futian, Shenzhen, China



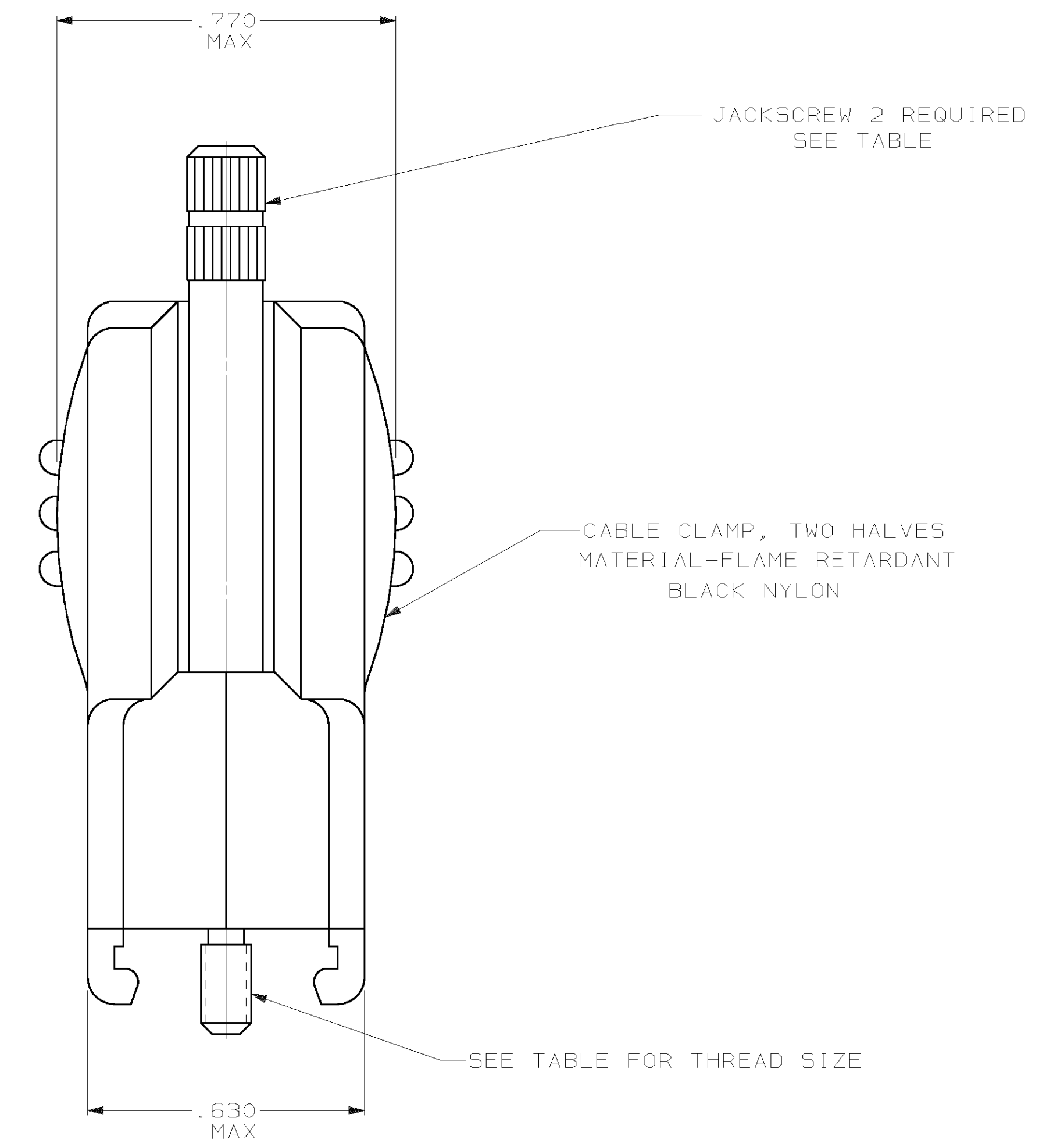
LOC		DIST		REV		REVISIONS		DATE	APPD
BD	77	P	F	ZONE	LTR				
				A		REDRAWN ON CAD		5/7/90	-
				B		REV PER EC 0020-246-94		05/16/94	PR
				C		OBS -1 PER EC 001D-0244-00		09 OCT 00	DK



CABLE GATES



#4-40 x .500 LONG STEEL
 FIL HEAD SCREW & HEX NUT
 2 PLACES, PLATED CLEAR
 ZINC PER QQ-Z-325



	4-40	PASSIVATED	STAINLESS STEEL	745121-2
OBSOLETE	M3 x 0.5	Δ	STEEL	745121-1
	SCREW THREAD	FINISH	MATERIAL	PART NO.
	JACKSCREW			

- PARTS PACKAGED UNASSEMBLED.
- ZINC PER QQ-Z-325, BLACK.

DO NOT SCALE PRINT. UNLESS SPECIFIED DIMENSIONS IN INCHES TOLERANCES ON:		DR 5/7/90 A. STAUB BG		AMP INCORPORATED Harrisburg, Pa. 17105	
2 PLC DEC ± .005		CHK 6-15-90 W.G. LENKER			
3 PLC DEC ± .005		APPD 7-10-90 J. WESTMAN		NAME	
ANGLES ± -		APPD 7-16-90 J. ASSINI		STRAIN RELIEF ASSEMBLY, SIZE 3, 25 POSITIONS, AMPLIMITE	
MATERIAL		PRODUCT SPEC		SIZE	
SEE CALLOUT		-		D 00779	
FINISH		APPLICATION SPEC		FSCM NO	
SEE CALLOUT		-		00779	
WEIGHT		-		DRAWING NO	
-		-		745121	
		SCALE 4:1		SHEET 1 OF 1	