



Chipsmall Limited consists of a professional team with an average of over 10 year of expertise in the distribution of electronic components. Based in Hongkong, we have already established firm and mutual-benefit business relationships with customers from,Europe,America and south Asia,supplying obsolete and hard-to-find components to meet their specific needs.

With the principle of “Quality Parts,Customers Priority,Honest Operation,and Considerate Service”,our business mainly focus on the distribution of electronic components. Line cards we deal with include Microchip,ALPS,ROHM,Xilinx,Pulse,ON,Everlight and Freescale. Main products comprise IC,Modules,Potentiometer,IC Socket,Relay,Connector.Our parts cover such applications as commercial,industrial, and automotives areas.

We are looking forward to setting up business relationship with you and hope to provide you with the best service and solution. Let us make a better world for our industry!



Contact us

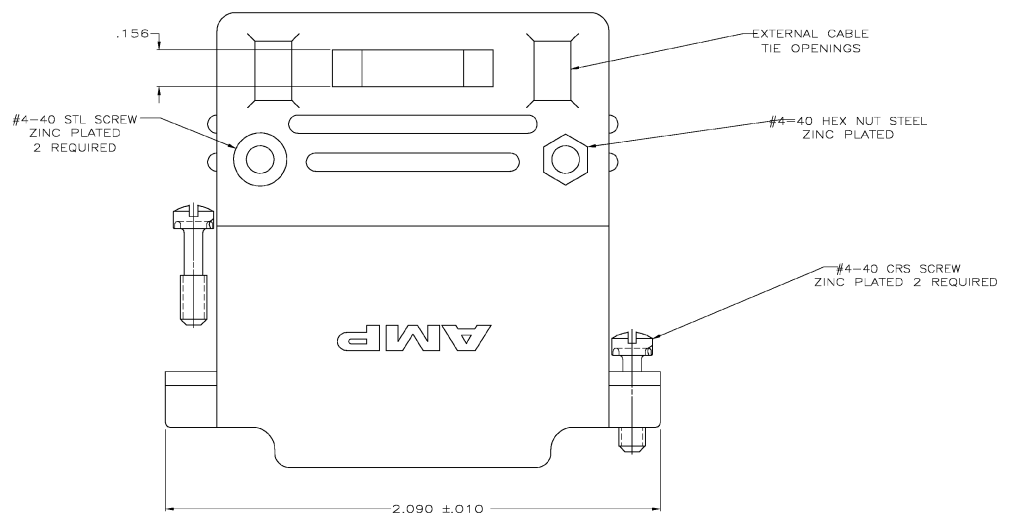
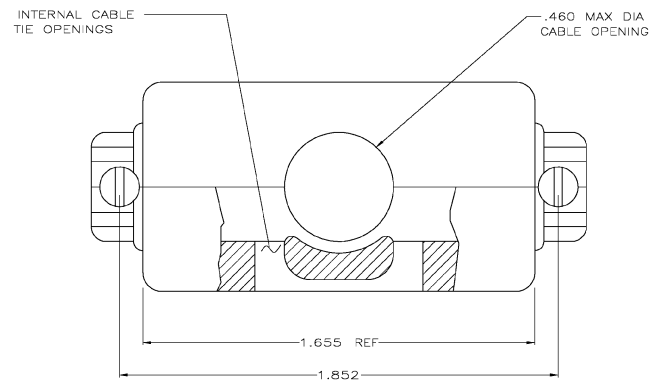
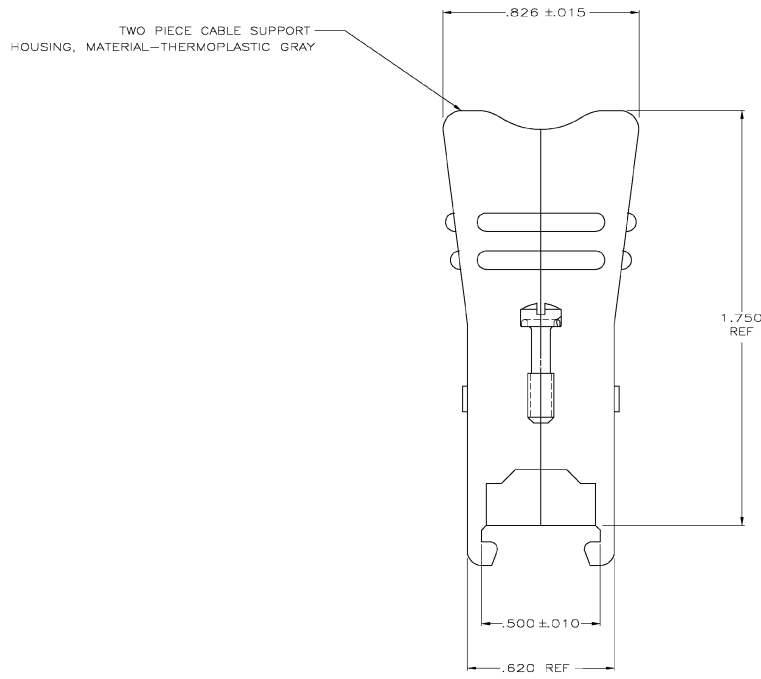
Tel: +86-755-8981 8866 Fax: +86-755-8427 6832

Email & Skype: info@chipsmall.com Web: www.chipsmall.com

Address: A1208, Overseas Decoration Building, #122 Zhenhua RD., Futian, Shenzhen, China



- 1 THIS PART WILL FIT ANY SIZE 3 PLUG OR RECEPTACLE IN THE AMPLIMITE SERIES .
- 2 ALL PARTS ARE PACKAGED UNASSEMBLED.
- ⚠ ONE KIT PER POLY BAG.
- ⚠ SAME AS -1 EXCEPT BULK PACKAGED.



OBSOLETE	⚠	745134-2
	⚠	745134-1
PACKAGING		PART NUMBER

THIS DRAWING IS A CONTROLLED DOCUMENT:

DESIGNED BY	MCMASTER	CHECKED BY	BOHDE
DRAWN BY	WALMSLEY	APPROVED BY	
DATE	05/03	SCALE	1:1
TITLE	CABLE SUPPORT ASSEMBLY, SIZE 3, 25 POSITION, AMPLIMITE™ HD-20		
MATERIAL	SEE CALLOUT	WEIGHT	—
FINISH	SEE CALLOUT	CUSTOMER DRAWING	—

TROE ELECTRONICS CORPORATION
 17109-3608
 Harrisburg, PA 17109-3608
 © 2003 TROE ELECTRONICS CORPORATION
 ALL RIGHTS RESERVED.