



Chipsmall Limited consists of a professional team with an average of over 10 year of expertise in the distribution of electronic components. Based in Hongkong, we have already established firm and mutual-benefit business relationships with customers from,Europe,America and south Asia,supplying obsolete and hard-to-find components to meet their specific needs.

With the principle of “Quality Parts,Customers Priority,Honest Operation,and Considerate Service”,our business mainly focus on the distribution of electronic components. Line cards we deal with include Microchip,ALPS,ROHM,Xilinx,Pulse,ON,Everlight and Freescale. Main products comprise IC,Modules,Potentiometer,IC Socket,Relay,Connector.Our parts cover such applications as commercial,industrial, and automotives areas.

We are looking forward to setting up business relationship with you and hope to provide you with the best service and solution. Let us make a better world for our industry!



Contact us

Tel: +86-755-8981 8866 Fax: +86-755-8427 6832

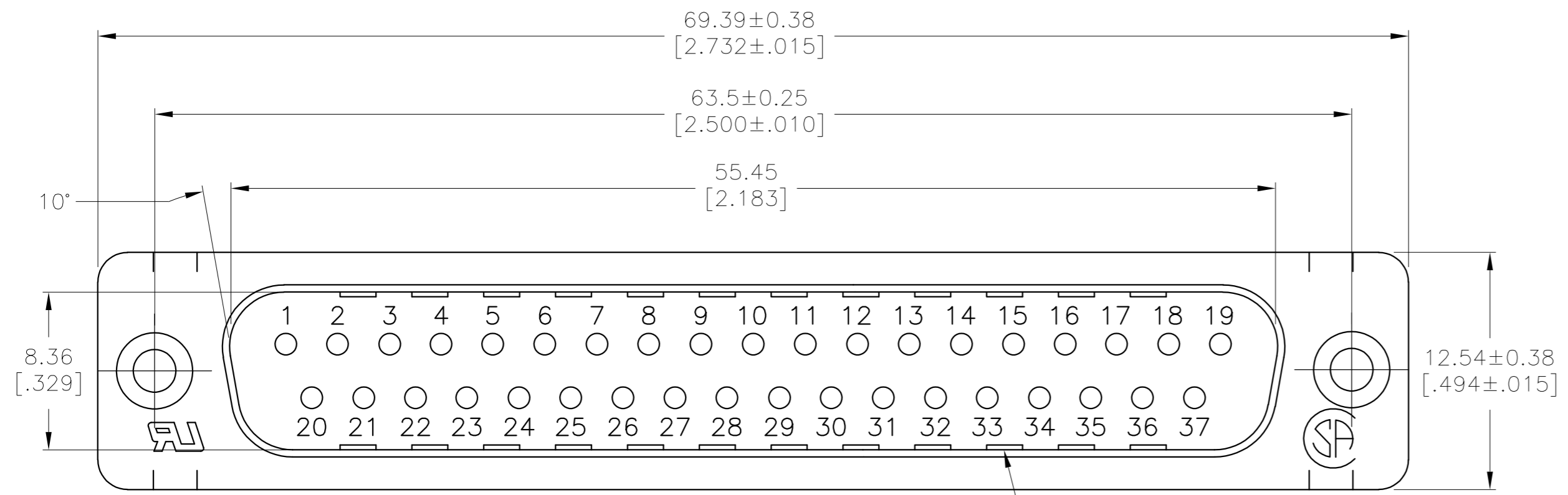
Email & Skype: info@chipsmall.com Web: www.chipsmall.com

Address: A1208, Overseas Decoration Building, #122 Zhenhua RD., Futian, Shenzhen, China

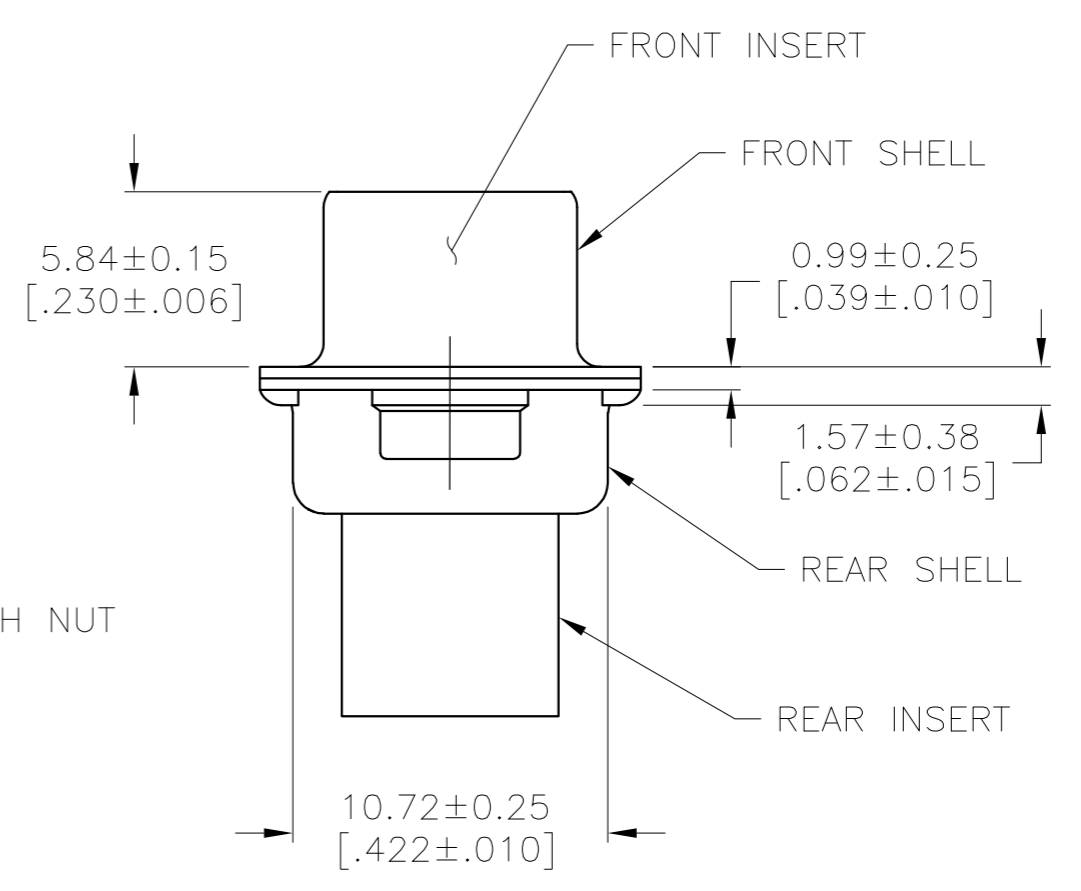
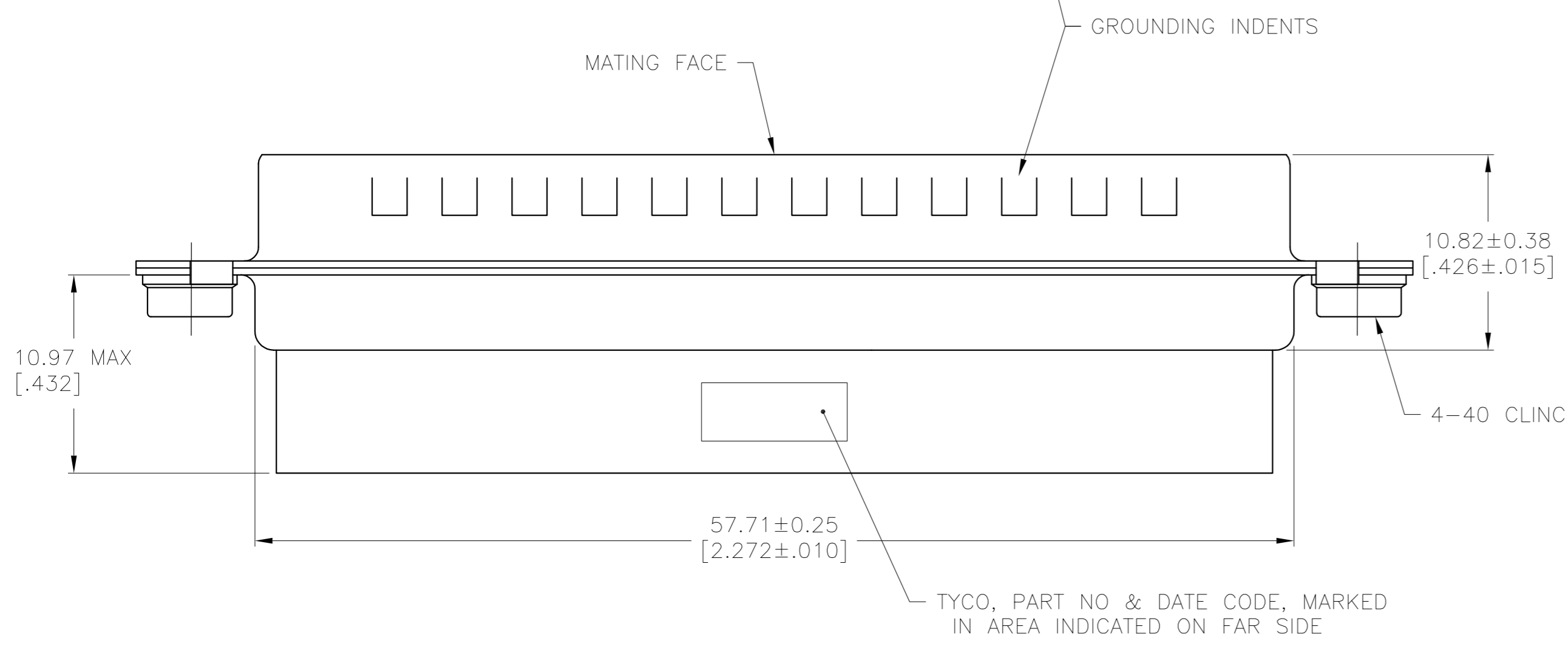


THIS DRAWING IS UNPUBLISHED. RELEASED FOR PUBLICATION
 © COPYRIGHT - By - ALL RIGHTS RESERVED.

LOC		DIST		REVISIONS			
P	LTR	DESCRIPTION		DATE	DWN	APVD	
GP	00	G		REVISED PER ECO-11-002006	14APR2011	CJV	CWR



- ① INSERTS: GLASS FILLED NYLON, UL 94V-0 RATED, COLOR BLACK.
SHELLS: CARBON STEEL PER ASTM A109.
CLINCH NUTS: CARBON STEEL PER ASTM A108.
- ② SHELLS: SEE TABLE
CLINCH NUTS: CLEAR CHROMATE OVER ZINC.
- 3. CONNECTOR ACCEPTS SIZE 20 DF PIN CONTACTS. RETENTION TINES ARE AN INTEGRAL PART OF INSERT.
- ④ 0.00508[.000200] MIN BRIGHT TIN OR BRIGHT TIN LEAD OVER
0.00254[.000100] MIN COPPER.
- ⑤ 0.00508[.000200] MIN BRIGHT TIN OVER 0.00254[.000100] MIN COPPER.



OBSOLETE	⑤	745135-4
	④	745135-2
	SHELL FINISH	PART NUMBER

**COPYRIGHT 2003
 TYCO ELECTRONICS CORP
 ALL RIGHTS RESERVED**

THIS DRAWING IS A CONTROLLED DOCUMENT.		DWN	J.GERACE	24APR03		TE Connectivity		
DIMENSIONS: mm [INCHES]		CHK	S.BOLASH	24APR03		NAME		
TOLERANCES UNLESS OTHERWISE SPECIFIED:		APVD	M.WALMSLEY	24APR03		PLUG CONNECTOR, SIZE 4, 37 POS, 4-40 CLINCH NUTS, AMPLIMITE HDP-20		
0 PLC	± -	PRODUCT SPEC	108-40005	SIZE		CAGE CODE	DRAWING NO	RESTRICTED TO
1 PLC	± -	APPLICATION SPEC	114-40030	A2	00779	C=745135	-	
2 PLC	± 0.13[.005]			WEIGHT	-			
3 PLC	± -			CUSTOMER DRAWING				
4 PLC	± -			SCALE	4:1	SHEET	1 OF 1	
ANGLES	± -			REV	G			
FINISH	②							