



Chipsmall Limited consists of a professional team with an average of over 10 year of expertise in the distribution of electronic components. Based in Hongkong, we have already established firm and mutual-benefit business relationships with customers from,Europe,America and south Asia,supplying obsolete and hard-to-find components to meet their specific needs.

With the principle of “Quality Parts,Customers Priority,Honest Operation,and Considerate Service”,our business mainly focus on the distribution of electronic components. Line cards we deal with include Microchip,ALPS,ROHM,Xilinx,Pulse,ON,Everlight and Freescale. Main products comprise IC,Modules,Potentiometer,IC Socket,Relay,Connector.Our parts cover such applications as commercial,industrial, and automotives areas.

We are looking forward to setting up business relationship with you and hope to provide you with the best service and solution. Let us make a better world for our industry!



Contact us

Tel: +86-755-8981 8866 Fax: +86-755-8427 6832

Email & Skype: info@chipsmall.com Web: www.chipsmall.com

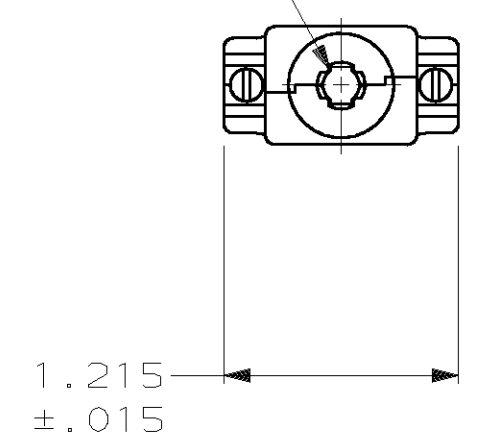
Address: A1208, Overseas Decoration Building, #122 Zhenhua RD., Futian, Shenzhen, China



THIS DRAWING IS UNPUBLISHED. RELEASED FOR PUBLICATION
 © COPYRIGHT 19 BY AMP INCORPORATED. ALL INTERNATIONAL RIGHTS RESERVED.

| LOC | DIST | P | F | ZONE | LTR | DESCRIPTION | DATE | APPD |
|-----|------|---|---|------|-----|-------------------------------------|-----------|------|
| BD | 0 | | | | C | REDRAWN | 7/10/90 | - |
| | | | | | D | REACTIVATED 1-2 PER EC 0020-0108-93 | 02/09/93 | SB |
| | | | | | E | REV PER EC 0020-309-95 | 05/04/95 | JS |
| | | | | | F | REV PER EC 0020-881-95 | 25 AUG 95 | JS |
| | | | | | G | OBSOLETE -6 PER EC 0020-780-95 | 06 FEB 96 | CS |
| | | | | | H | OBS -12 PER EC 001D-0155-00 | 02 FEB 01 | DK |

OPENING FOR CABLE
 (SEE DASH NO. FOR DIA)

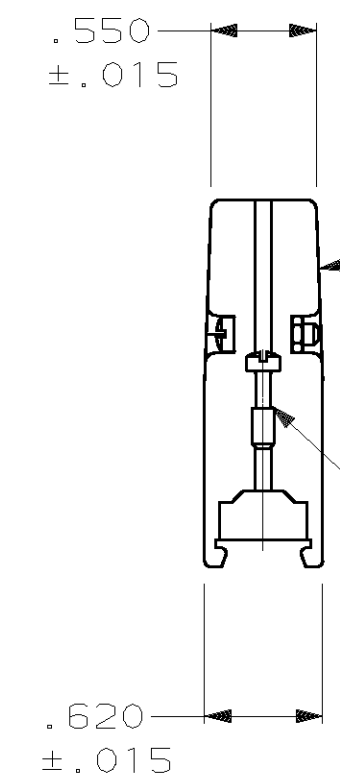
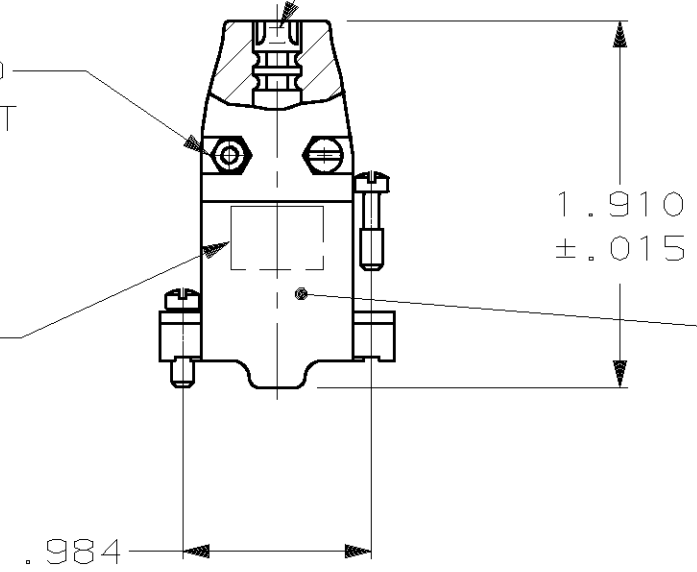


SIZE IDENTIFICATION LETTER
 MOLDED IN APPROX AREA
 SHOWN, SEE TABLE

#4-40 FILLISTER HEAD
 STEEL SCREW & HEX NUT
 ZINC PLATED
 (2 EACH REQUIRED)

AMP LOGO

TEXTURED
 FINISH



CABLE CLAMP (QTY:2)
 MATERIAL: ZINC ALLOY
 PLATED NICKEL OVER
 COPPER

#4-40 FILLISTER HEAD SCREW
 MATERIAL: STEEL, ZINC PLATED
 QUANTITY:2

| OBsolete | 1 | H | - | .370 | 1-745171-2 |
|----------|---|----------------------|------------------------------|-----------|------------|
| OBsolete | - | H | ① SUPPLIED W/O MTG SCREWS | .370 | 745171-6 |
| | - | H | - | .370 | 745171-5 |
| | - | A | - | .200 | 745171-2 |
| | - | C | - | .250 | 745171-1 |
| | | PACKAGING NECK IDENT | REMARKS | CABLE DIA | PART NO. |

① PARTS INDIVIDUALLY BULK PACKED.

| | | | | | |
|--|----------------------------|--|---------|--------------|--|
| DO NOT SCALE PRINT. UNLESS SPECIFIED DIMENSIONS IN INCHES TOLERANCES ON : | DR 7/10/90 A. STAUB BG | AMP INCORPORATED Harrisburg, Pa. 17105 | | | |
| 2 PLC DEC ± - 3 PLC DEC ± .005 ANGLES ± - | CHK 9-10-90 J McCLINTON | | | | |
| MATERIAL | APPD 9-11-90 B TAYLOR | NAME | | | |
| SEE CALLOUTS | APPD 9-11-90 J. ASSINI | CABLE CLAMP KIT, UNASSEMBLED, SIZE 1, 9 POSN, 180 DEGREES, AMPLIMITE™ | | | |
| FINISH | APPLICATION SPEC | SIZE | FSCM NO | DRAWING NO | |
| SEE CALLOUTS | - | C | 00779 | 745171 | |
| | WEIGHT - | SCALE | 1:1 | SHEET 1 OF 1 | |