



Chipsmall Limited consists of a professional team with an average of over 10 year of expertise in the distribution of electronic components. Based in Hongkong, we have already established firm and mutual-benefit business relationships with customers from,Europe,America and south Asia,supplying obsolete and hard-to-find components to meet their specific needs.

With the principle of “Quality Parts,Customers Priority,Honest Operation,and Considerate Service”,our business mainly focus on the distribution of electronic components. Line cards we deal with include Microchip,ALPS,ROHM,Xilinx,Pulse,ON,Everlight and Freescale. Main products comprise IC,Modules,Potentiometer,IC Socket,Relay,Connector.Our parts cover such applications as commercial,industrial, and automotives areas.

We are looking forward to setting up business relationship with you and hope to provide you with the best service and solution. Let us make a better world for our industry!



Contact us

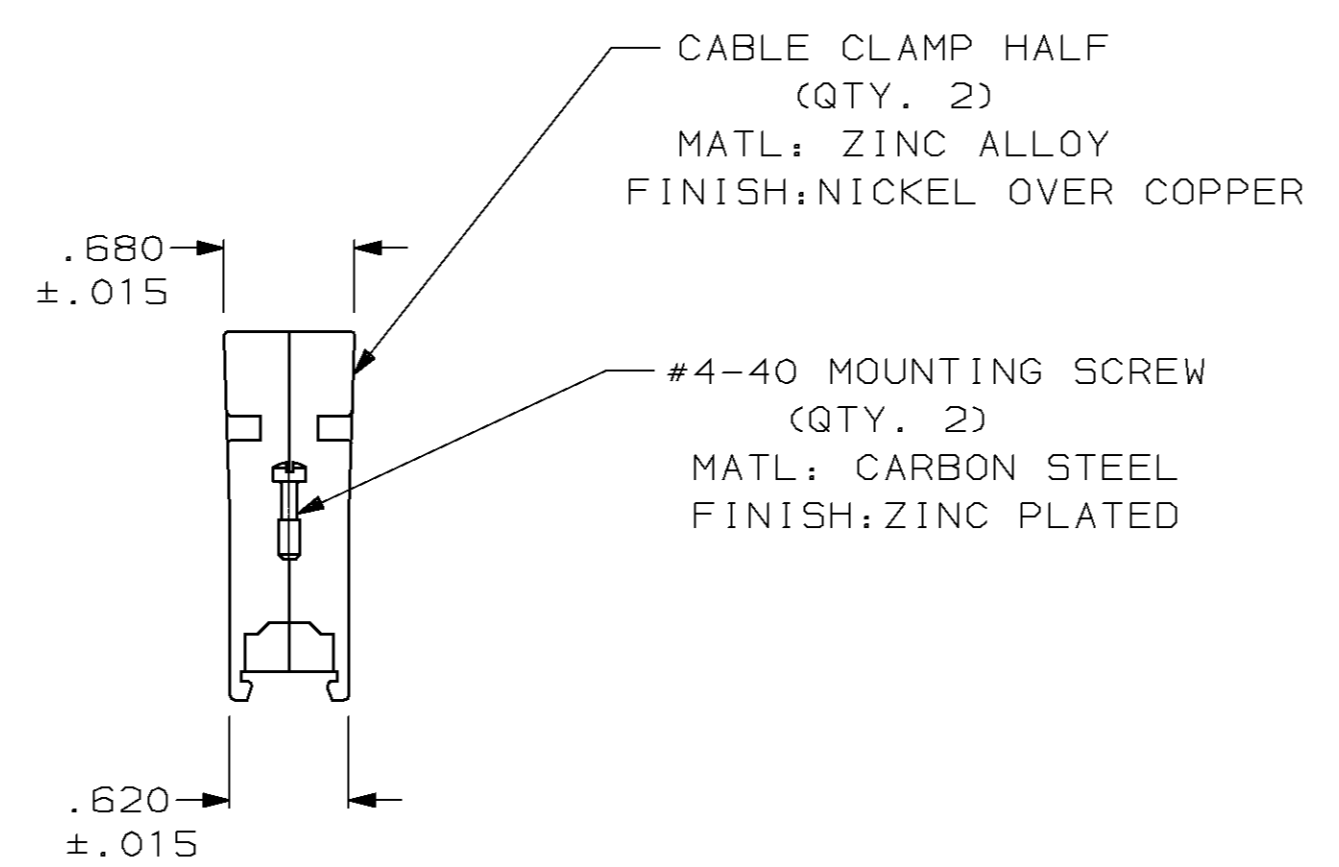
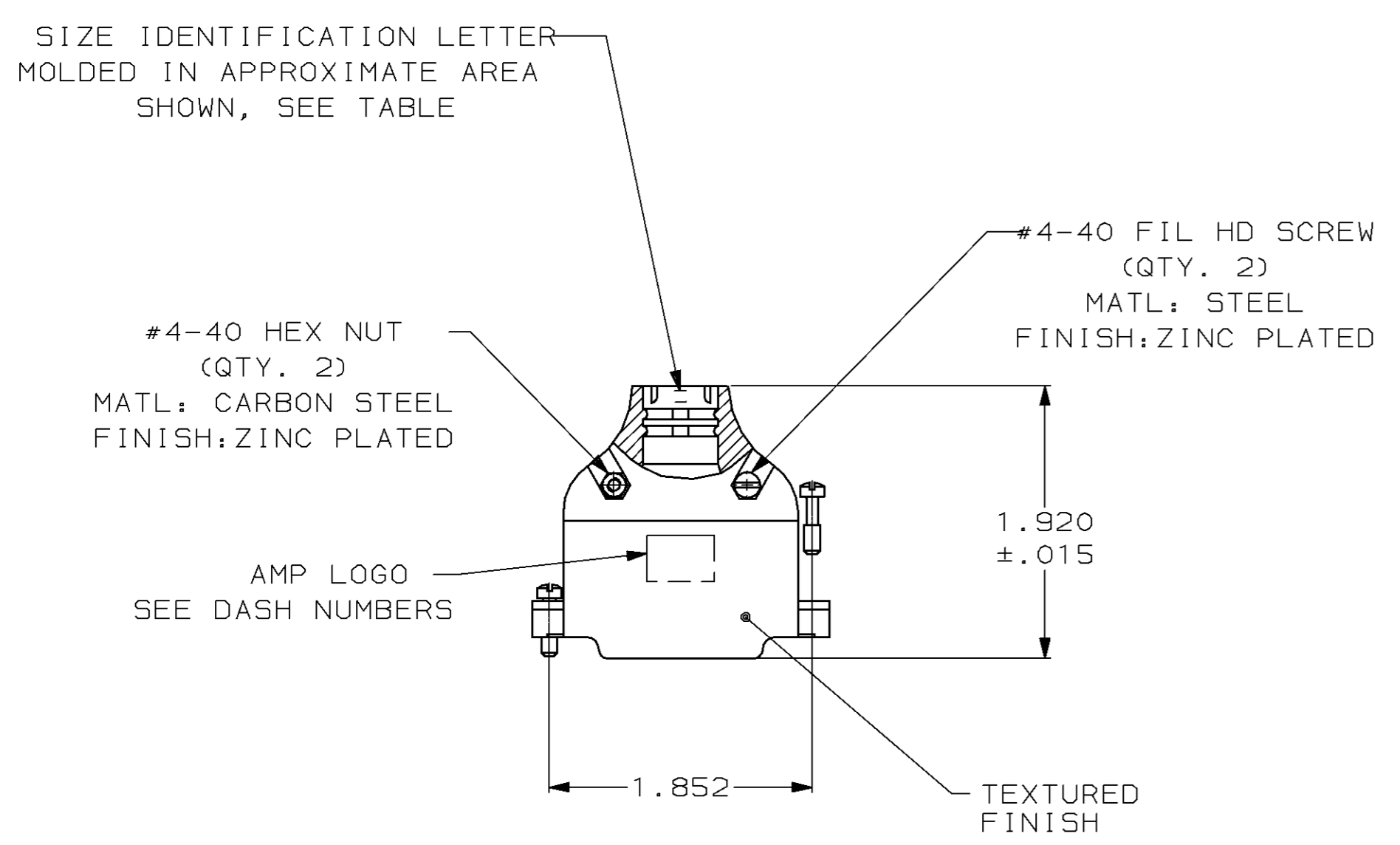
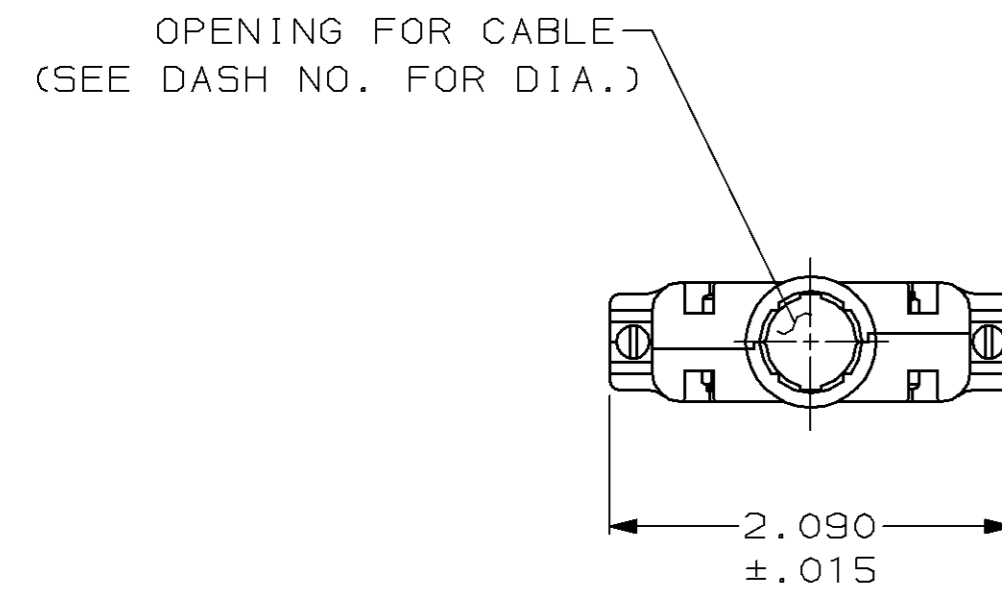
Tel: +86-755-8981 8866 Fax: +86-755-8427 6832

Email & Skype: info@chipsmall.com Web: www.chipsmall.com

Address: A1208, Overseas Decoration Building, #122 Zhenhua RD., Futian, Shenzhen, China



LOC		DIST		P		ZONE		LTR		REVISIONS		
BD	48									DESCRIPTION	DATE	APPD
									F	REDRAWN	6/28/90	-
									G	OBS -19 PER EC 0020-1534-93	04/14/94	PR
									H	REV PER EC 0020-309-95	05/04/95	JS
									J	REV PER EC 0020-881-95	25 AUG 95	JS
									K	OBSOLETED -11, -13 PER EC 0020-780-95	06 FEB 96	CS



- PARTS PACKAGED UNASSEMBLED.
- WITH ALL HARDWARE.
- WITHOUT MOUNTING SCREWS.
- PARTS PACKAGED AS A UNIT KIT.
- PARTS INDIVIDUALLY BULK PACKED AND SHIPPED AS A UNIT PACKAGE.

PACKAGING	NECK SIZE IDENT	AMP LOGO	CABLE HARDWARE DIA	MAX CABLE DIA	PART NO.
5		W/O LOGO	2	.280	3-745173-6
5		W/O LOGO	2	.280	3-745173-5
5		W/O LOGO	3	.350	3-745173-4
5		W/O LOGO	3	.430	3-745173-3
5		W/O LOGO	3	.480	3-745173-2
5		W/O LOGO	3	.530	3-745173-1
5		W/LOGO	3	.280	3-745173-0
5		W/LOGO	3	.350	2-745173-9
5		W/LOGO	3	.430	2-745173-8
5		W/LOGO	3	.480	2-745173-7
5		W/LOGO	3	.530	2-745173-6
5		W/LOGO	2	.280	2-745173-5
5		W/LOGO	2	.350	2-745173-4
5		W/LOGO	2	.430	2-745173-3
5		W/LOGO	2	.480	2-745173-2
5		W/LOGO	2	.530	2-745173-1
4		W/O LOGO	3	.280	2-745173-0
4	G	W/O LOGO	3	.350	1-745173-9
4	K	W/O LOGO	3	.430	1-745173-8
4		W/O LOGO	3	.480	1-745173-7
4	P	W/O LOGO	3	.530	1-745173-6
4		W/LOGO	3	.280	1-745173-5
4		W/LOGO	3	.350	1-745173-4
4		W/LOGO	3	.430	1-745173-3
4		W/LOGO	3	.480	1-745173-2
4		W/LOGO	3	.530	1-745173-1
4		W/LOGO	2	.280	745173-5
4	G	W/LOGO	2	.350	745173-4
4	K	W/LOGO	2	.430	745173-3
4	M	W/LOGO	2	.480	745173-2
4	P	W/LOGO	2	.530	745173-1
OBSOLETE		W/LOGO	3	.280	1-745173-0
OBSOLETE	K	W/LOGO	3	.430	1-745173-3
OBSOLETE		W/LOGO	3	.480	1-745173-2
OBSOLETE	P	W/LOGO	3	.530	1-745173-1
OBSOLETE		W/O LOGO	2	.280	1-745173-0
OBSOLETE	D	W/LOGO	2	.280	745173-5
OBSOLETE	G	W/LOGO	2	.350	745173-4
OBSOLETE	K	W/LOGO	2	.430	745173-3
OBSOLETE	M	W/LOGO	2	.480	745173-2
OBSOLETE	P	W/LOGO	2	.530	745173-1

DO NOT SCALE PRINT. UNLESS SPECIFIED DIMENSIONS IN MILLIMETERS TOLERANCES ON: 2 PLC DEC ± .005 3 PLC DEC ± .005 ANGLES ± -	DR 6/28/90 A. STAUB BG CHK 9-10-90 J. McCLINTON APPD 9-11-90 B. TAYLOR APPD 9-11-90 J. ASSINI	AMP INCORPORATED Harrisburg, Pa. 17105	
SEE CALLOUTS	PRODUCT SPEC	NAME CABLE CLAMP KIT, SIZE 3, 180° AMPLIMITE™	
FINISH SEE CALLOUTS	APPLICATION SPEC	SIZE D 00779	DRAWING NO 745173
WEIGHT		SCALE 1:1	SHEET 1 OF 1