



Chipsmall Limited consists of a professional team with an average of over 10 year of expertise in the distribution of electronic components. Based in Hongkong, we have already established firm and mutual-benefit business relationships with customers from,Europe,America and south Asia,supplying obsolete and hard-to-find components to meet their specific needs.

With the principle of “Quality Parts,Customers Priority,Honest Operation,and Considerate Service”,our business mainly focus on the distribution of electronic components. Line cards we deal with include Microchip,ALPS,ROHM,Xilinx,Pulse,ON,Everlight and Freescale. Main products comprise IC,Modules,Potentiometer,IC Socket,Relay,Connector.Our parts cover such applications as commercial,industrial, and automotives areas.

We are looking forward to setting up business relationship with you and hope to provide you with the best service and solution. Let us make a better world for our industry!



Contact us

Tel: +86-755-8981 8866 Fax: +86-755-8427 6832

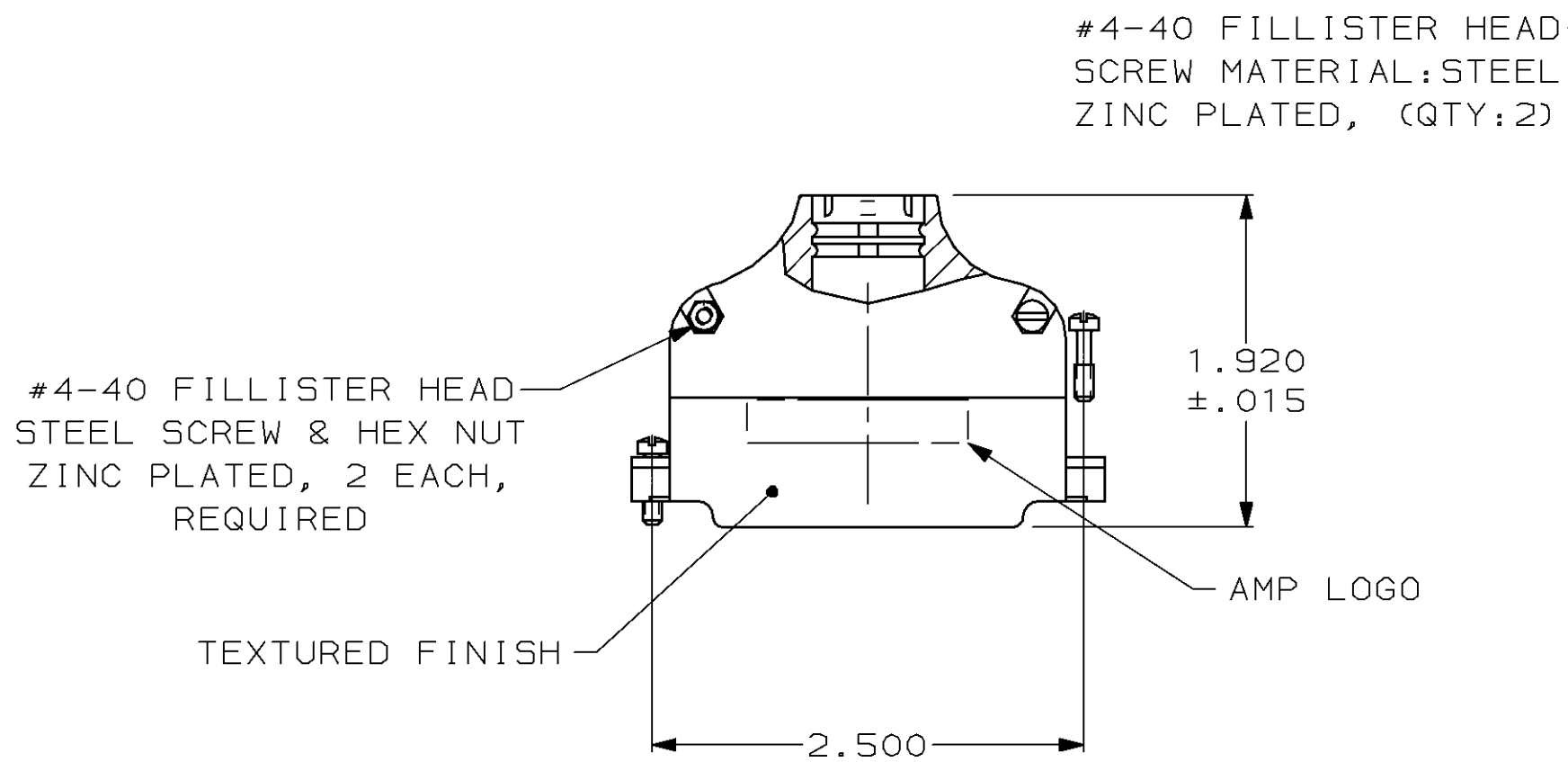
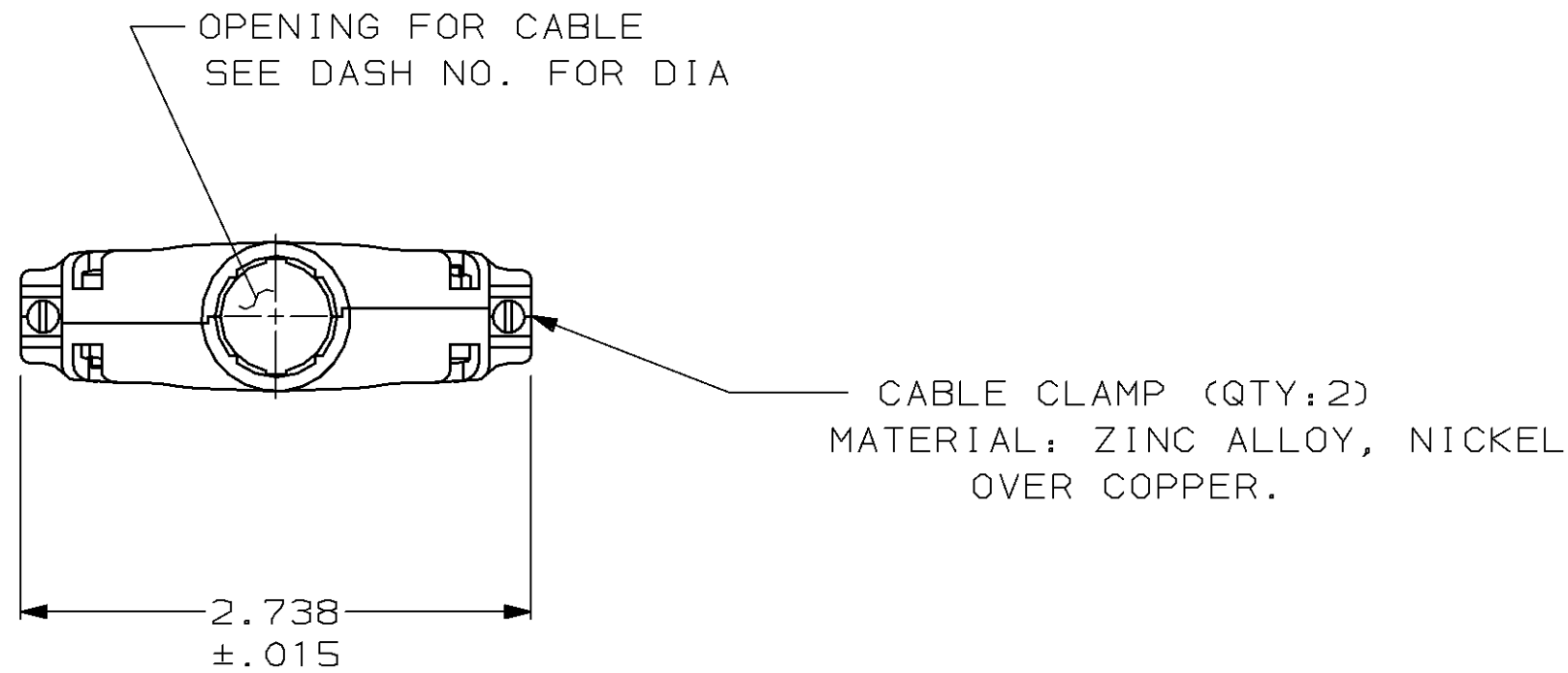
Email & Skype: info@chipsmall.com Web: www.chipsmall.com

Address: A1208, Overseas Decoration Building, #122 Zhenhua RD., Futian, Shenzhen, China



THIS DRAWING IS UNPUBLISHED. RELEASED FOR PUBLICATION
 © COPYRIGHT 19 BY AMP INCORPORATED. ALL INTERNATIONAL RIGHTS RESERVED.

LOC	DIST	P	F	ZONE	LTR	DESCRIPTION	DATE	APPD
FT	38				C	REDRAWN	7-6-90	-
					D	OBS 1-4 PER ECN BD6177	06/19/92	TS
					E	REV PER EC 0020-191-96	14 AUG 96	JS



NECK IDENT	REMARKS	CABLE DIA	PART NO.
P	AS SHOWN	.530	2-745174-7
	SUPPLIED W/O MTG SCREWS W/O AMP LOGO (BULK PACKED)	.350	1-745174-6
F	AS SHOWN	.650	2-745174-6
T	BULK PACKED	.575	2-745174-5
R		.500	2-745174-4
N		.425	2-745174-3
J		.350	2-745174-2
F	SUPPLIED W/O MTG SCREWS W/ AMP LOGO (BULK PACKED)	.650	2-745174-1
T		.575	2-745174-0
R		.500	1-745174-9
N		.425	1-745174-8
J		.350	1-745174-7
F	SUPPLIED W/O MTG SCREWS W/ AMP LOGO	.350	1-745174-5
OBSOLETE		.425	1-745174-4
OBSOLETE		.500	1-745174-3
OBSOLETE		.575	1-745174-2
		.650	1-745174-1
	AS SHOWN	.350	745174-5
		.425	745174-4
		.500	745174-3
		.575	745174-2
		.650	745174-1

1. PARTS PACKAGED UNASSEMBLED.

DO NOT SCALE PRINT. UNLESS SPECIFIED DIMENSIONS IN INCHES TOLERANCES ON :	DR 7/6/90 A.STAUB BG	AMP INCORPORATED Harrisburg, Pa. 17105	
2 PLC DEC ± - 3 PLC DEC ± .005 ANGLES ± -	CHK 9/10/90 J.MCCLINTON		
MATERIAL	APPD 9/11/90 BOB TAYLOR	NAME	
SEE CALLOUTS	APPD 9/11/90 J.ASSINI	CABLE CLAMP KIT, SIZE 4, 37 POSITION, 180°, AMPLIMITE™ SERIES	
FINISH	PRODUCT SPEC	SIZE	FSCM NO
SEE CALLOUTS	APPLICATION SPEC	C	00779
	WEIGHT -	DRAWING NO	745174
		SCALE	1:1
		SHEET	1 OF 1