



Chipsmall Limited consists of a professional team with an average of over 10 year of expertise in the distribution of electronic components. Based in Hongkong, we have already established firm and mutual-benefit business relationships with customers from,Europe,America and south Asia,supplying obsolete and hard-to-find components to meet their specific needs.

With the principle of "Quality Parts,Customers Priority,Honest Operation,and Considerate Service",our business mainly focus on the distribution of electronic components. Line cards we deal with include Microchip,ALPS,ROHM,Xilinx,Pulse,ON,Everlight and Freescale. Main products comprise IC,Modules,Potentiometer,IC Socket,Relay,Connector.Our parts cover such applications as commercial,industrial, and automotives areas.

We are looking forward to setting up business relationship with you and hope to provide you with the best service and solution. Let us make a better world for our industry!



Contact us

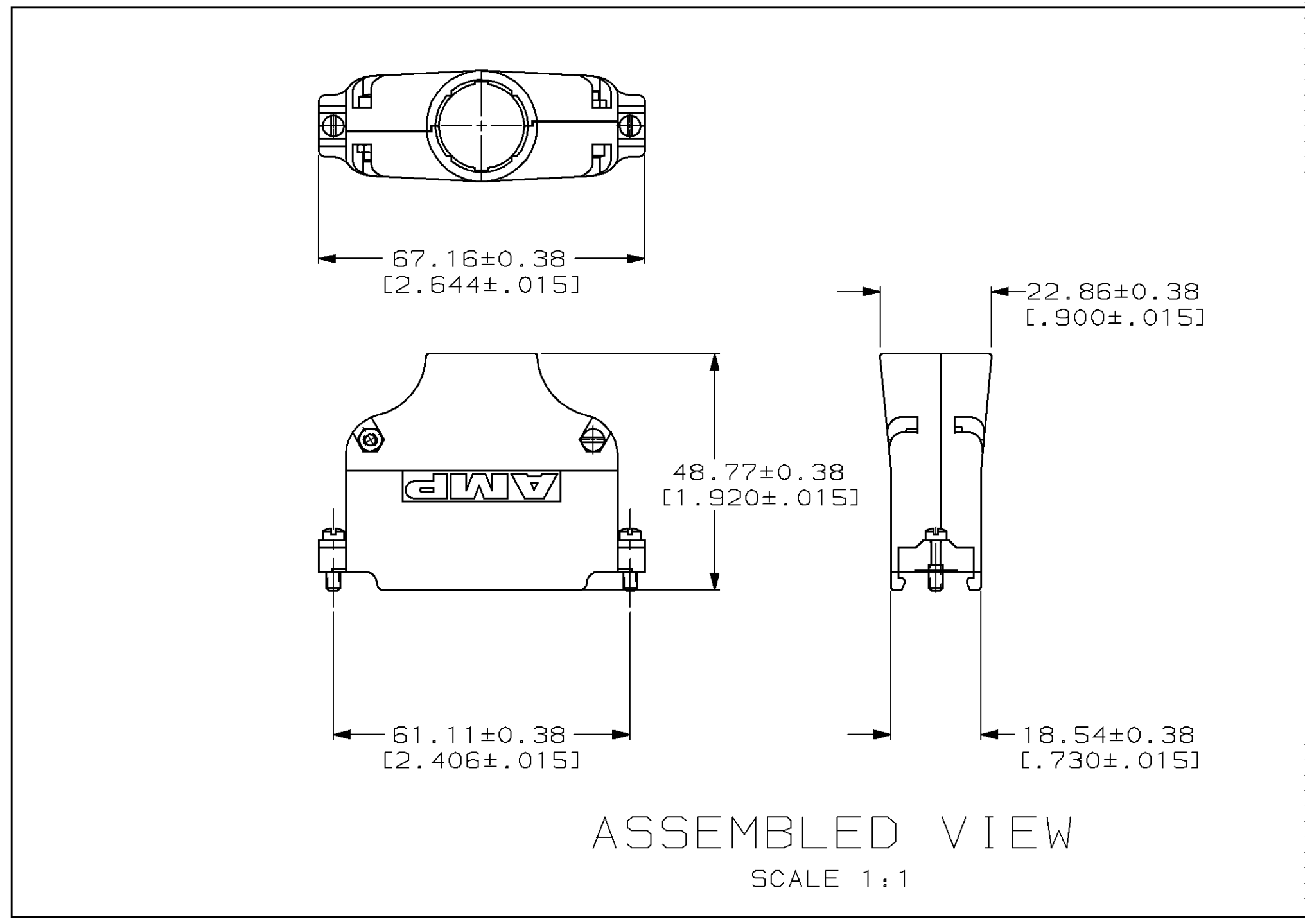
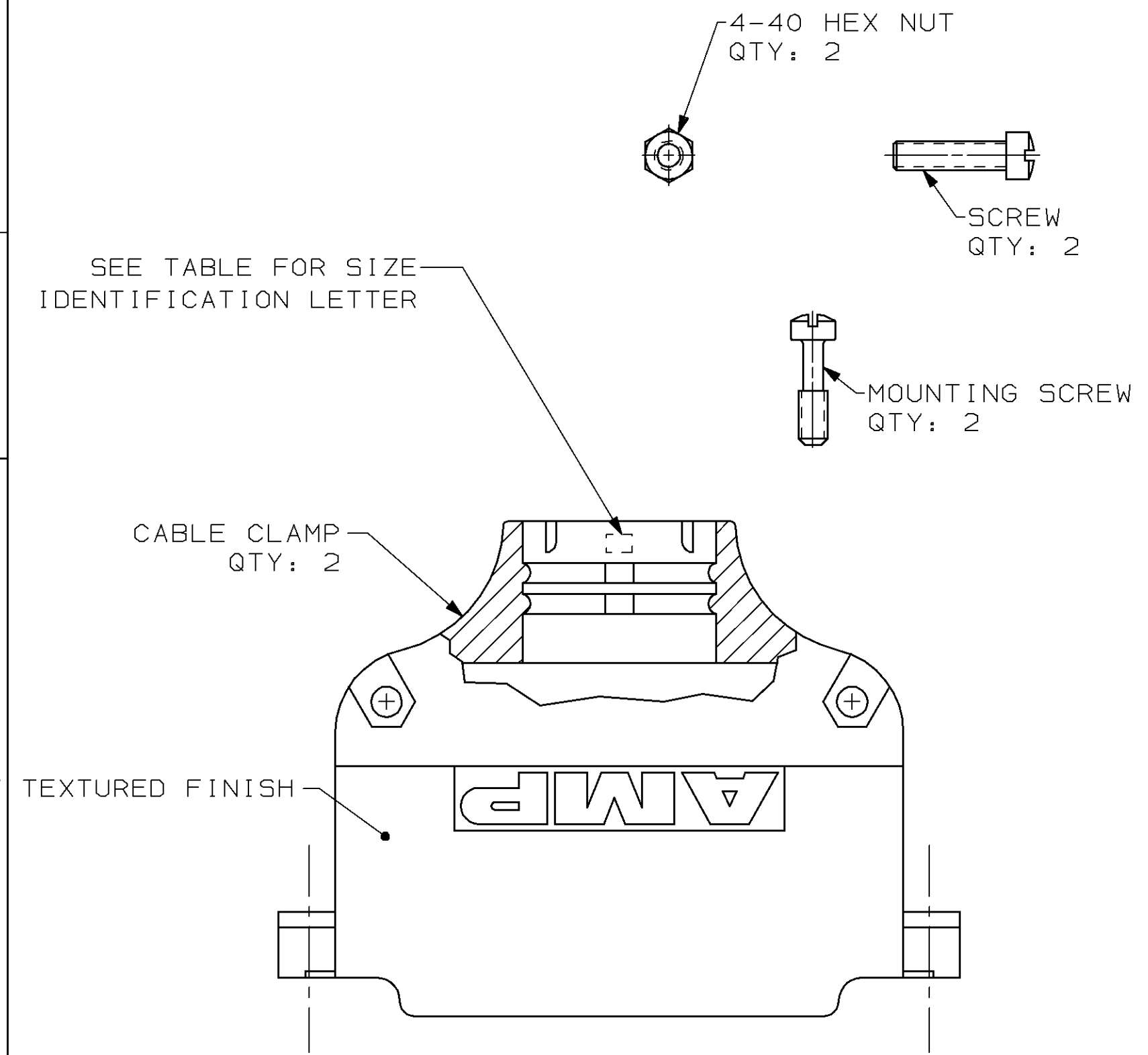
Tel: +86-755-8981 8866 Fax: +86-755-8427 6832

Email & Skype: info@chipsmall.com Web: www.chipsmall.com

Address: A1208, Overseas Decoration Building, #122 Zhenhua RD., Futian, Shenzhen, China



LOC	DIST	P	F	REVISIONS				
				ZONE	LTR	DESCRIPTION	DATE	APPD
FT	38			C		REDRAWN WITHOUT CHANGE	09-14-93	-
				D		REV PER EC 0020-186-96	28 JUN 96	JCS
				E		REV PER EC 0320-385-97	19 NOV 97	DK



- ① SCREW: CARBON STEEL.
MOUNTING SCREW & HEX NUT: CARBON STEEL PER ASTM A108.
CABLE CLAMP: ZINC.
- ② SCREW: ZINC PLATED.
MOUNTING SCREW & HEX NUT: 5.08µm [.000200] MIN ZINC PER, ASTM B633 TYPE III, CLASS SCI, CLEAR CHROMATE.
CABLE CLAMP: 5.08µm [.000200] MIN NICKEL PER QQ-N-290 OVER 5.08µm [.000200] MIN COPPER PER MIL-C-14550.

I	9.53 [.375]	745175-6
L	11.43 [.450]	745175-5
O	13.34 [.525]	745175-4
S	15.24 [.600]	745175-3
U	17.15 [.675]	745175-2
V	19.05 [.750]	745175-1
	NECK SIZE I.D.	CABLE DIA
		PART NO

DO NOT SCALE PRINT. UNLESS SPECIFIED DIMENSIONS IN mm [INCHES] TOLERANCES ON : 2 PLC DEC ± .013 [.005] 3 PLC DEC ± - ANGLES ± -	DR 09-15-93 D.BROCKWAY	AMP Incorporated Harrisburg, PA 17105-3608		
	CHK 09-17-93 B.LENKER			
MATERIAL ① -	APPD 09-17-93 S.BRINSER	NAME CABLE CLAMP KIT, UNASSEMBLED SIZE 5, 50 POSN, 180° AMPLIMITE™		
	APPD 09-17-93 S.BRINSER			
FINISH ② -	PRODUCT SPEC -	SIZE C	CAGE CODE 00779	DRAWING NO G=745175
	APPLICATION SPEC -	WEIGHT -	SCALE 2:1	SHEET 1 OF 1

THIS DRAWING IS A CONTROLLED DOCUMENT FOR AMP INCORPORATED. IT IS SUBJECT TO CHANGE AND THE CONTROLLING ENGINEERING ORGANIZATION SHOULD BE CONTACTED FOR THE LATEST REVISION.