



Chipsmall Limited consists of a professional team with an average of over 10 year of expertise in the distribution of electronic components. Based in Hongkong, we have already established firm and mutual-benefit business relationships with customers from,Europe,America and south Asia,supplying obsolete and hard-to-find components to meet their specific needs.

With the principle of “Quality Parts,Customers Priority,Honest Operation,and Considerate Service”,our business mainly focus on the distribution of electronic components. Line cards we deal with include Microchip,ALPS,ROHM,Xilinx,Pulse,ON,Everlight and Freescale. Main products comprise IC,Modules,Potentiometer,IC Socket,Relay,Connector.Our parts cover such applications as commercial,industrial, and automotives areas.

We are looking forward to setting up business relationship with you and hope to provide you with the best service and solution. Let us make a better world for our industry!



Contact us

Tel: +86-755-8981 8866 Fax: +86-755-8427 6832

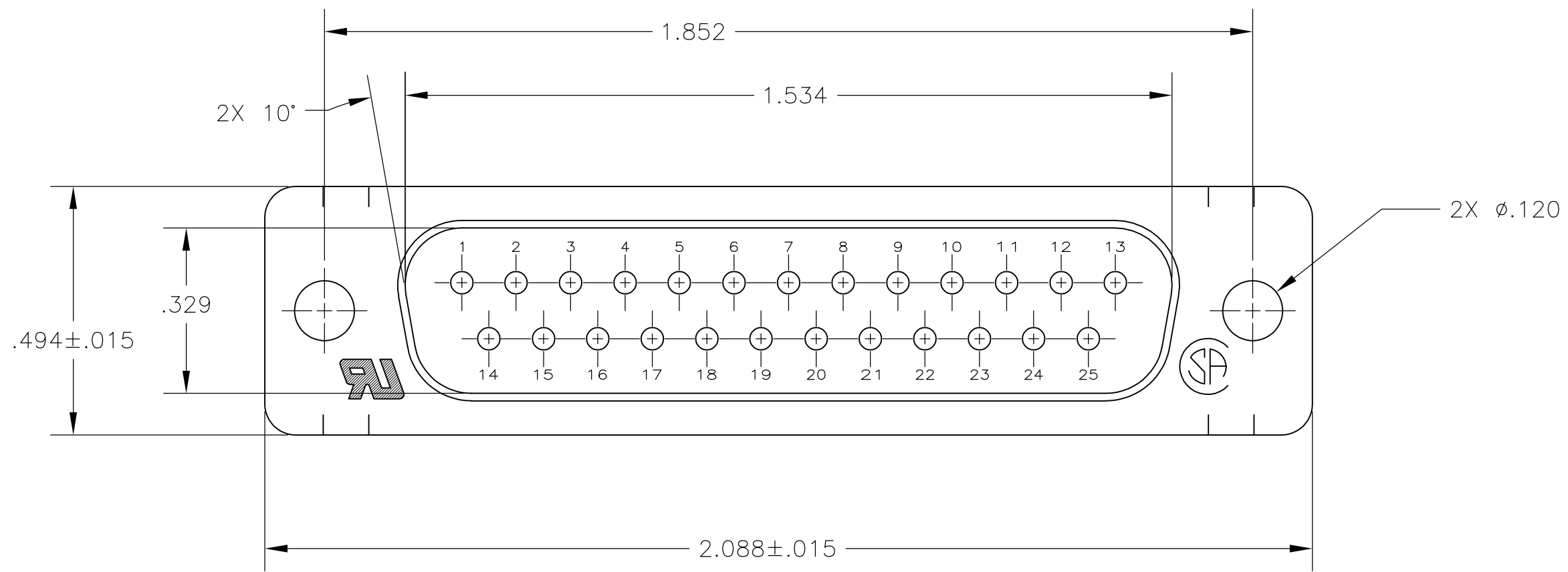
Email & Skype: info@chipsmall.com Web: www.chipsmall.com

Address: A1208, Overseas Decoration Building, #122 Zhenhua RD., Futian, Shenzhen, China

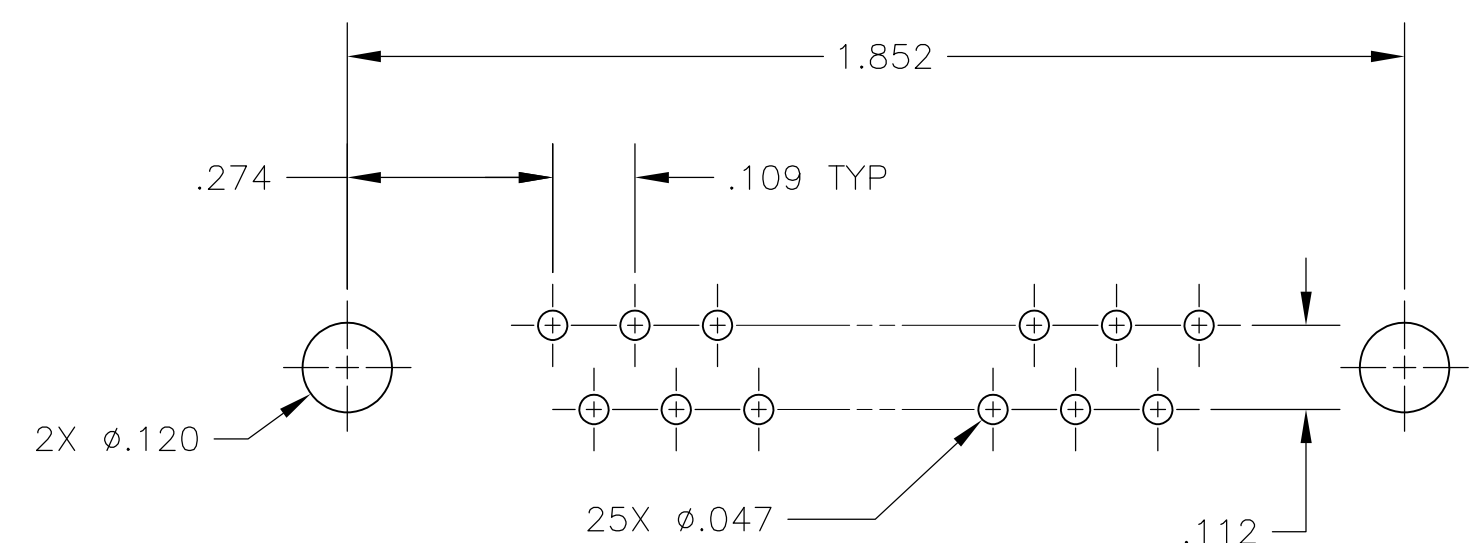
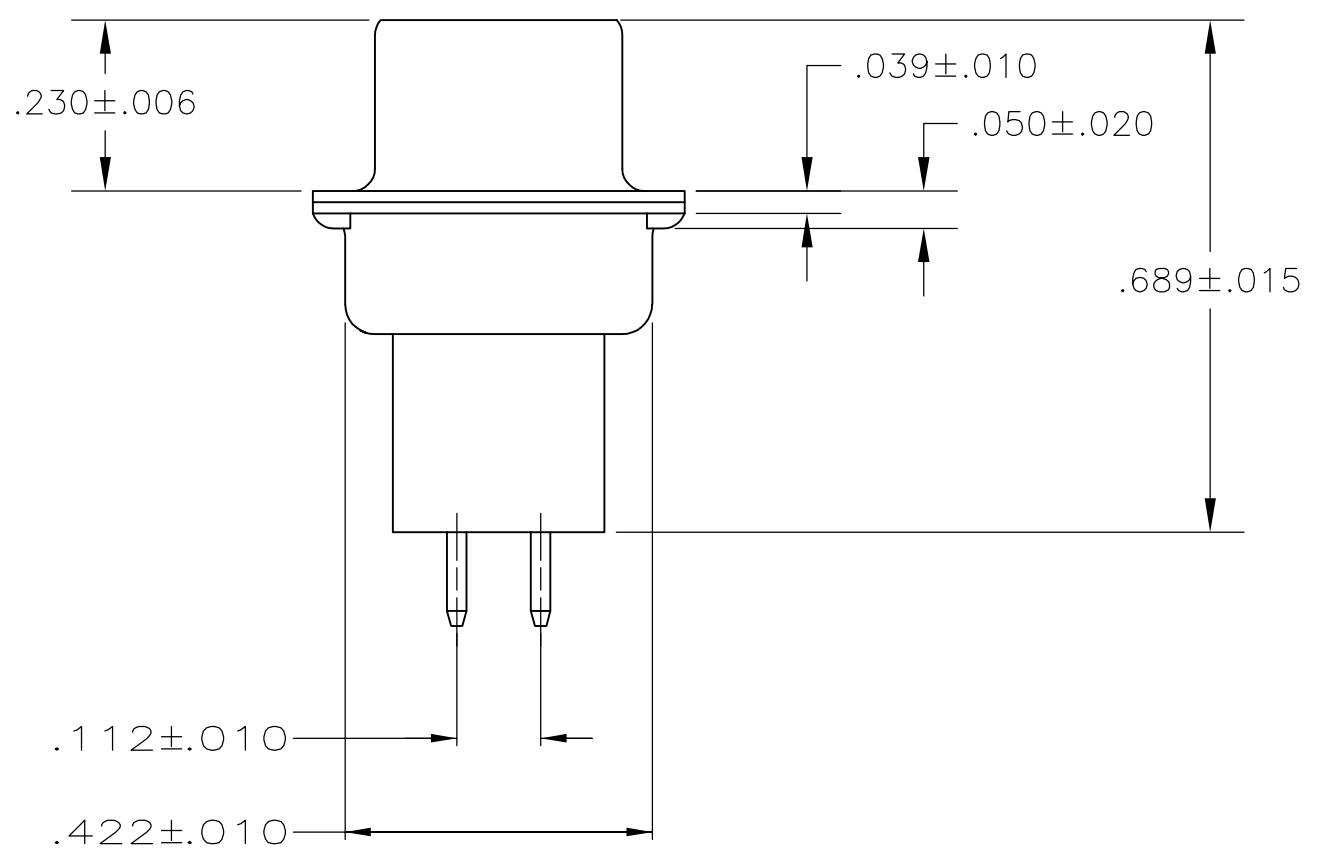
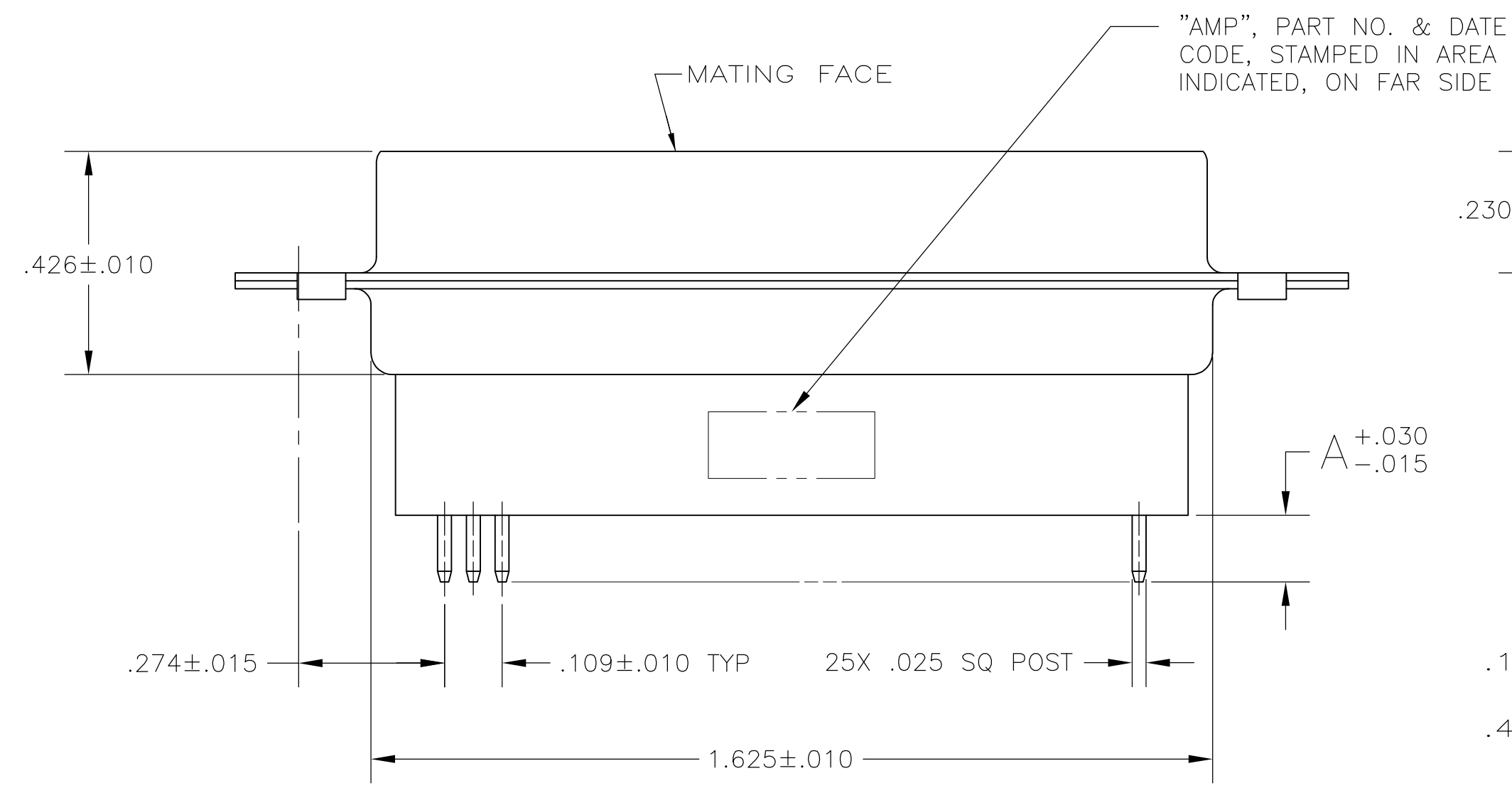


THIS DRAWING IS UNPUBLISHED. RELEASED FOR PUBLICATION
 © COPYRIGHT BY TYCO ELECTRONICS CORPORATION. ALL INTERNATIONAL RIGHTS RESERVED.

LOC		DIST		REVISIONS			
P	LTR	DESCRIPTION	DATE	DWN	APVD		
GP	00						
	L	REVISED PER ECO-10-000073	15FEB2010	CJV	SB		



- 1. NOTE DELETED.
- 2. MOLDED COMPONENT MATERIAL: FLAME RETARDANT 94V-0 RATED THERMOPLASTIC; COLOR: BLACK.
- 3. SHELL MATERIAL: STEEL.
- 4. CONTACT MATERIAL: BRASS.
- 5. NOTE DELETED.
- 6. SHELL FINISH: TIN PLATED.
- 7. CONTACT FINISH: GOLD PLATED FOR LENGTH OF .150 MIN FROM MATING END, GOLD FLASH IN MATED AREA, .000100 MIN TIN-LEAD ON OPPOSITE END, BOTH OVER .000050 MIN NICKEL.
- 8. CONTACT FINISH: GOLD PLATED FOR LENGTH OF .150 MIN FROM MATING END, .000030 MIN GOLD IN MATED AREA, .000100 MIN TIN-LEAD ON ON SOLDER END, ALL OVER .000050 MIN NICKEL.



P.C. BOARD MOUNTING DIMENSIONS

SUPSD BY 205737-8	△△	.188	745186-8
SUPSD BY 745412-7	△△	.188	745186-7
	△△	.651	745186-6
	△△	.651	745186-5
	△△	.427	745186-4
SUPSD BY 205737-3	△△	.427	745186-3
	△△	.125	745186-2
SUPSD BY 745412-1	△△	.125	745186-1
	FINISH	A	PART NUMBER

THIS DRAWING IS A CONTROLLED DOCUMENT.		DWN	J.GERACE	10-25-83	Tyco Electronics Corporation Harrisburg, PA 17105-3608	
DIMENSIONS: INCHES		CHK	J.GERACE	10-25-83		
TOLERANCES UNLESS OTHERWISE SPECIFIED:		APVD	B. TAYLOR	01-04-84		
0 PLC ± - 1 PLC ± - 2 PLC ± - 3 PLC ± .005 4 PLC ± - ANGLES ± 2° FINISH SEE TABLE		NAME	PLUG ASSEMBLY, SIZE 3, 25 POSN, VERTICAL, .025 SQ. POSTS, AMPLIMITE® HDP			
MATERIAL		PRODUCT SPEC	108-40025		SIZE	A2
		APPLICATION SPEC	114-40013		CAGE CODE	00779
		WEIGHT	-		DRAWING NO	C=745186
		CUSTOMER DRAWING			RESTRICTED TO	-
		SCALE	NTS		SHEET	1 of 1
		REV	L			