



Chipsmall Limited consists of a professional team with an average of over 10 year of expertise in the distribution of electronic components. Based in Hongkong, we have already established firm and mutual-benefit business relationships with customers from,Europe,America and south Asia,supplying obsolete and hard-to-find components to meet their specific needs.

With the principle of “Quality Parts,Customers Priority,Honest Operation,and Considerate Service”,our business mainly focus on the distribution of electronic components. Line cards we deal with include Microchip,ALPS,ROHM,Xilinx,Pulse,ON,Everlight and Freescale. Main products comprise IC,Modules,Potentiometer,IC Socket,Relay,Connector.Our parts cover such applications as commercial,industrial, and automotives areas.

We are looking forward to setting up business relationship with you and hope to provide you with the best service and solution. Let us make a better world for our industry!



Contact us

Tel: +86-755-8981 8866 Fax: +86-755-8427 6832

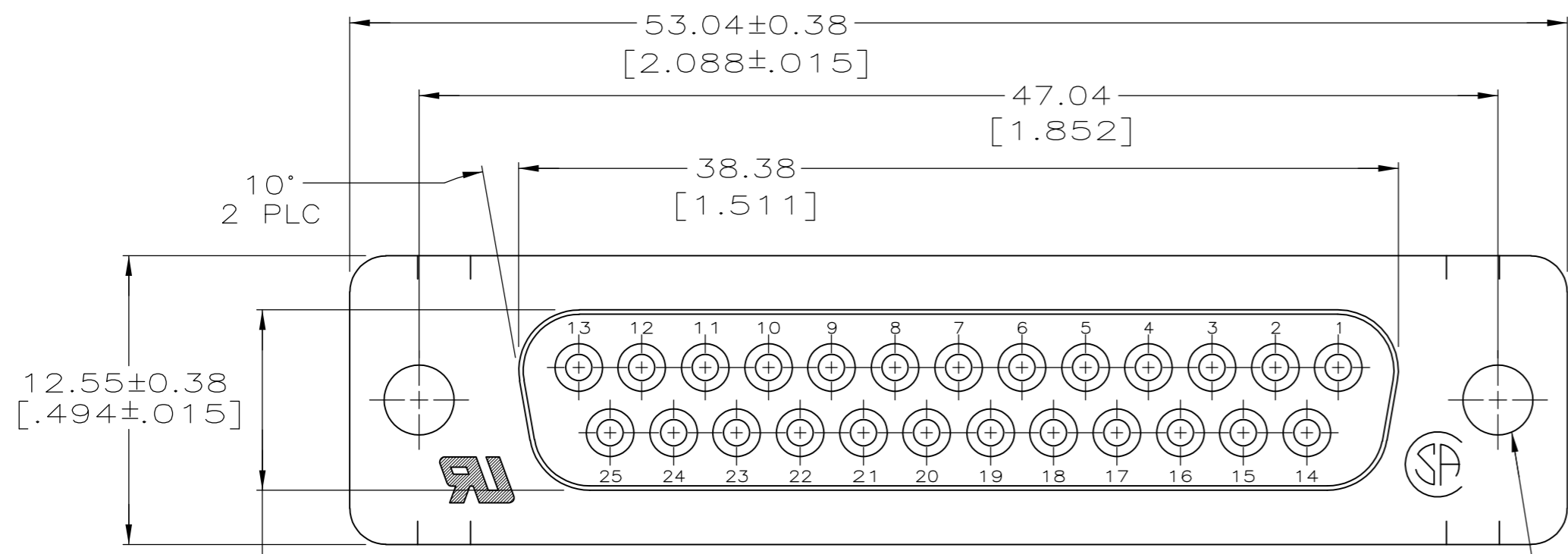
Email & Skype: info@chipsmall.com Web: www.chipsmall.com

Address: A1208, Overseas Decoration Building, #122 Zhenhua RD., Futian, Shenzhen, China

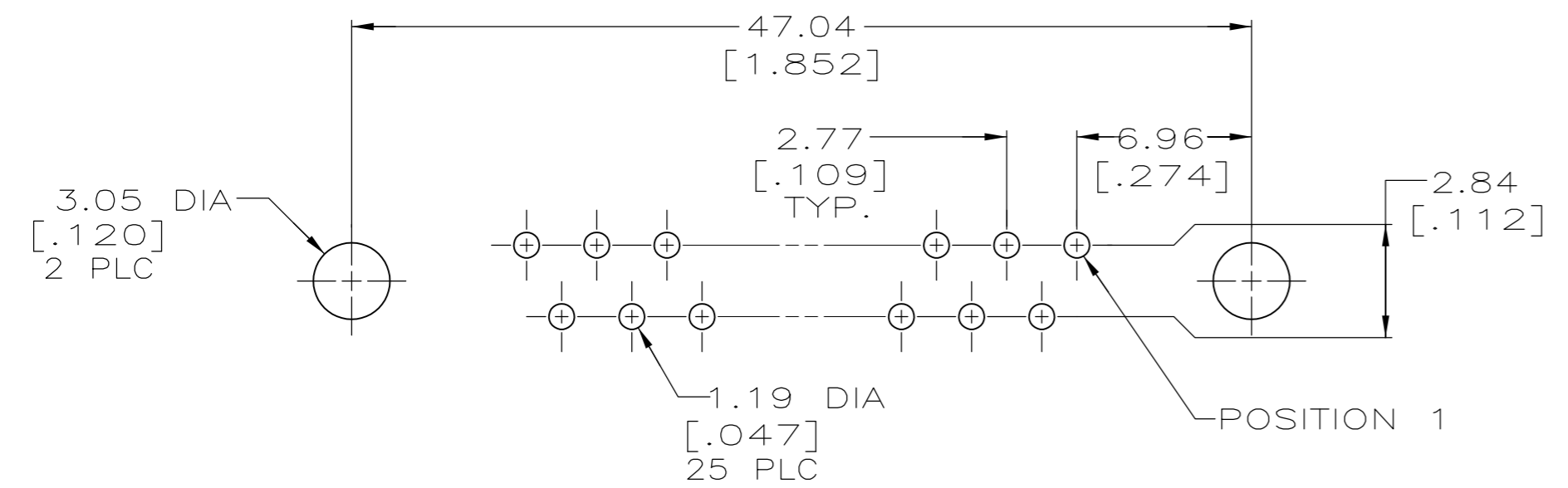
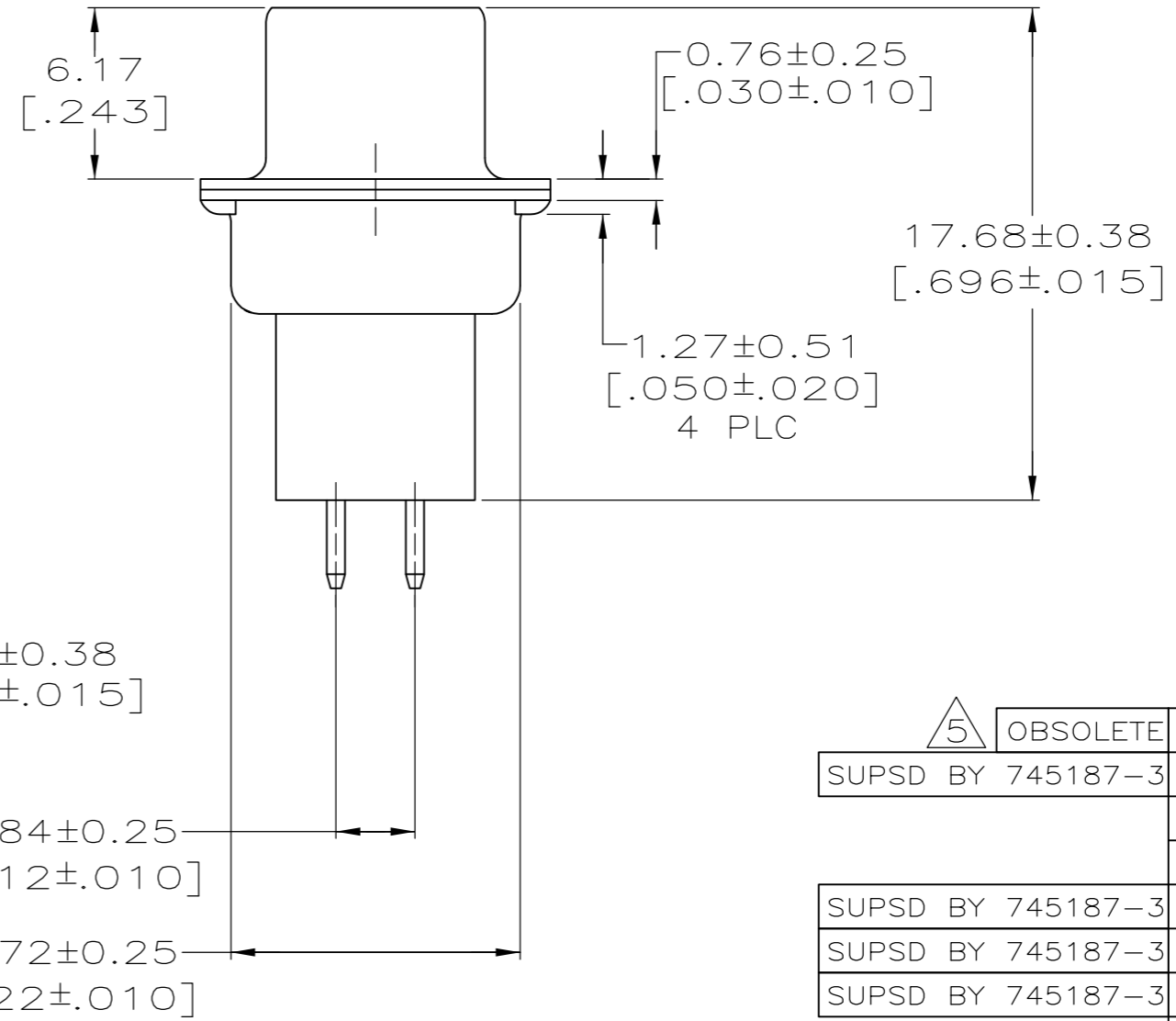
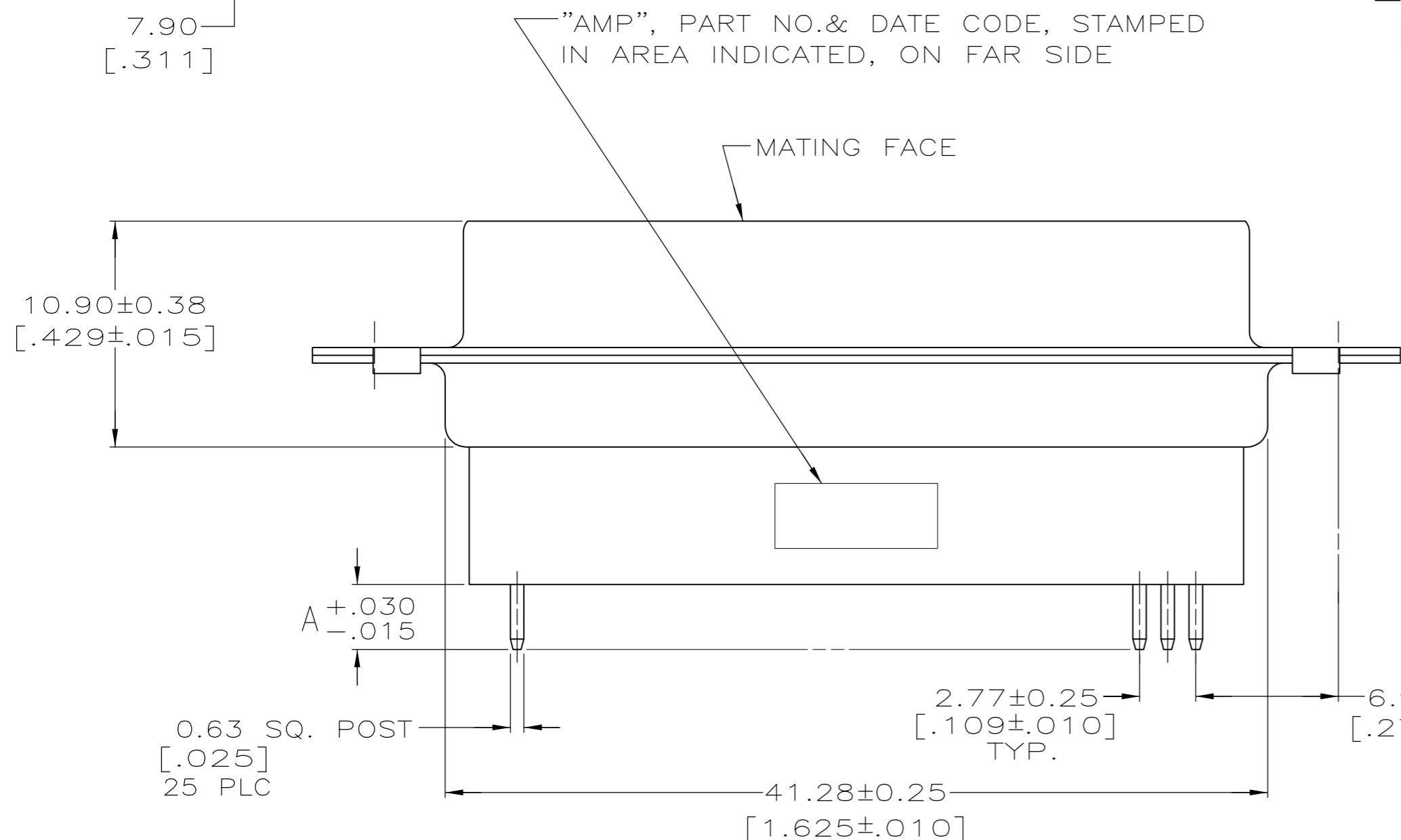


THIS DRAWING IS UNPUBLISHED. RELEASED FOR PUBLICATION
 © COPYRIGHT BY TYCO ELECTRONICS CORPORATION. ALL RIGHTS RESERVED.

LOC		DIST		REVISIONS			
P	LTR	DESCRIPTION	DATE	DWN	APVD		
GP	00						
	P	REVISED PER ECO-10-000073	17FEB2010	CJV	SB		



- NOTE DELETED.
- MOLDED PARTS: FLAME RETARDANT 94V-0 RATED THERMOPLASTIC; COLOR: BLACK. SHELLS: STEEL, CONTACTS: PHOS. BRONZE.
- GOLD FLASH ON MATING END, 2.54µm [.000100] MIN TIN-LEAD ON SOLDER END, ALL OVER 1.27µm [.000050] MIN NICKEL.
- 0.76µm [.000030] MIN GOLD ON MATING END, 2.54µm [.000100] MIN TIN-LEAD ON OPPOSITE END, ALL OVER 1.27µm [.000050] MIN NICKEL. -OR- GOLD FLASH OVER PALLADIUM-NICKEL 0.76µm [.000030] MIN TOTAL ON MATING END, 2.54µm [.000100] MIN TIN-LEAD ON OPPOSITE END, BOTH OVER 1.27µm [.000050] MIN NICKEL.
- SELECTIVELY LOADED CAVITIES 2,3,4,5,8,10,14,15,16,17,21,23, AND 24.
- 5.08µm [.000200] MIN TIN OVER 2.54µm [.000100] MIN COPPER.



CONTACT FINISH	DIMENSION A	PART NUMBER
5 OBSOLETE	3.17 [.125]	1-745187-0
SUPSD BY 745187-3	8.43 [.332]	745187-9
	4.77 [.188]	745187-8
	4.77 [.188]	745187-7
SUPSD BY 745187-3	16.53 [.651]	745187-6
SUPSD BY 745187-3	16.53 [.651]	745187-5
SUPSD BY 745187-3	10.84 [.427]	745187-4
	10.84 [.427]	745187-3
SUPSD BY 745187-1	3.17 [.125]	745187-2
	3.17 [.125]	745187-1

THIS DRAWING IS A CONTROLLED DOCUMENT.

DWN	J.GERACE	10/24/83
CHK	J.GERACE	10/24/83
APVD	B. TAYLOR	1-04-84
PRODUCT SPEC	108-40025	
APPLICATION SPEC	114-40013	
MATERIAL		
FINISH		
SHELLS: 6		
CONTACTS: SEE TABLE		

Tyco Electronics Tyco Electronics Corporation
Harrisburg, PA 17105-3608

NAME: RECEPTACLE ASSEMBLY, SIZE 3, 25 POSITION, VERTICAL, AMPLIMITE™HDP

SIZE	CAGE CODE	DRAWING NO	RESTRICTED TO
A2	00779	C=745187	-

SCALE: NTS SHEET: 1 OF 1 REV: P

P.C. BOARD MOUNTING DIMENSIONS