



Chipsmall Limited consists of a professional team with an average of over 10 year of expertise in the distribution of electronic components. Based in Hongkong, we have already established firm and mutual-benefit business relationships with customers from,Europe,America and south Asia,supplying obsolete and hard-to-find components to meet their specific needs.

With the principle of “Quality Parts,Customers Priority,Honest Operation,and Considerate Service”,our business mainly focus on the distribution of electronic components. Line cards we deal with include Microchip,ALPS,ROHM,Xilinx,Pulse,ON,Everlight and Freescale. Main products comprise IC,Modules,Potentiometer,IC Socket,Relay,Connector.Our parts cover such applications as commercial,industrial, and automotives areas.

We are looking forward to setting up business relationship with you and hope to provide you with the best service and solution. Let us make a better world for our industry!



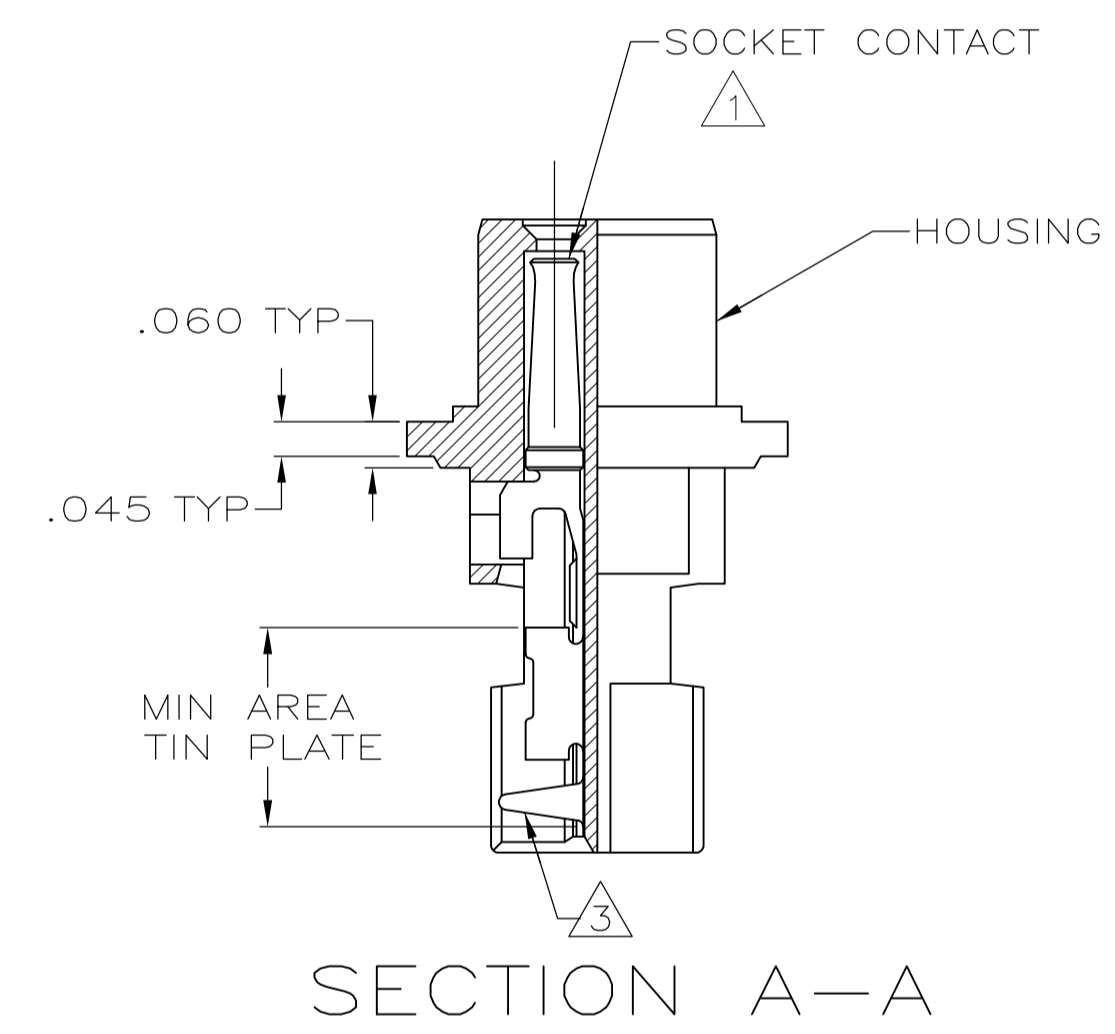
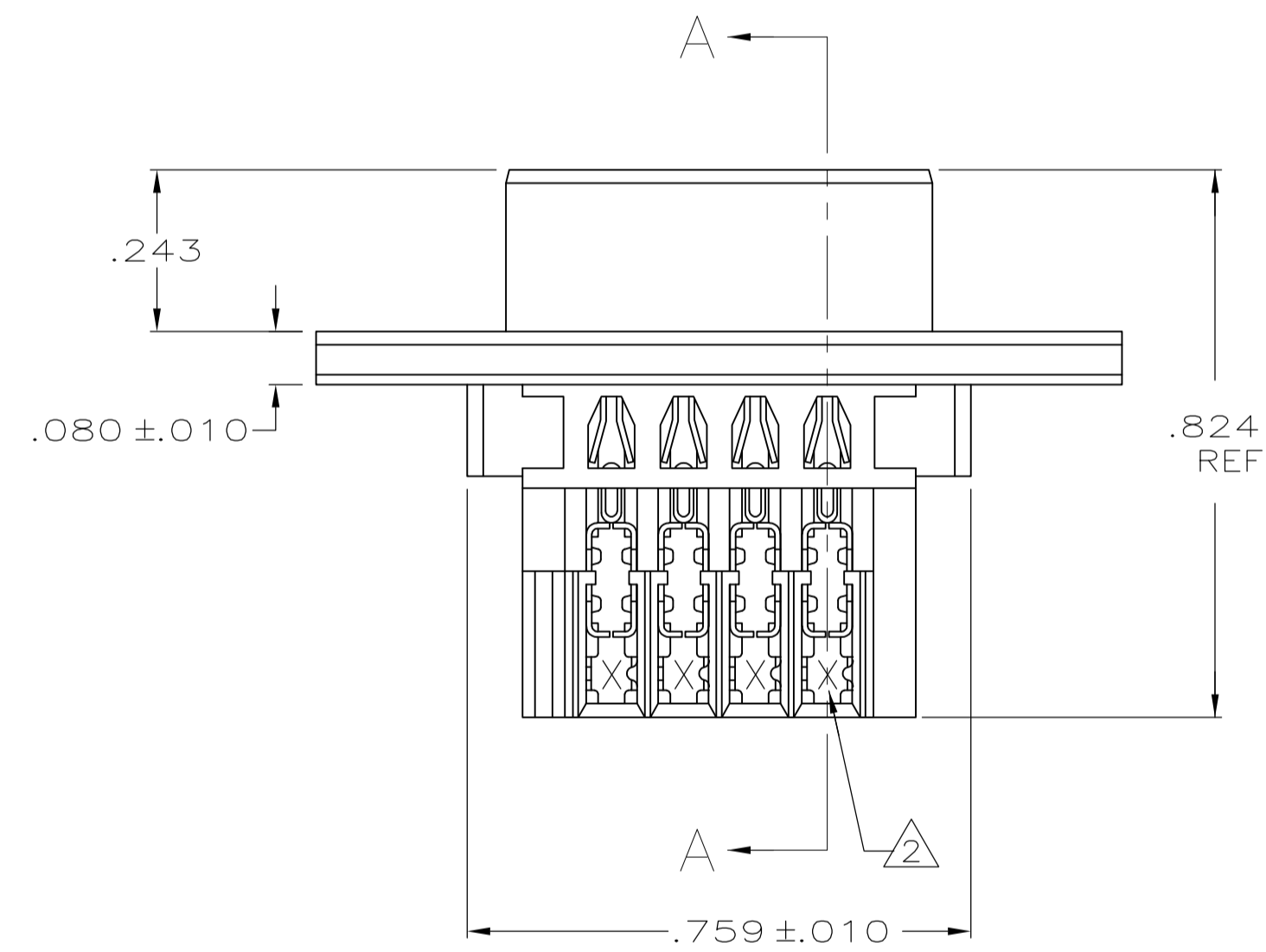
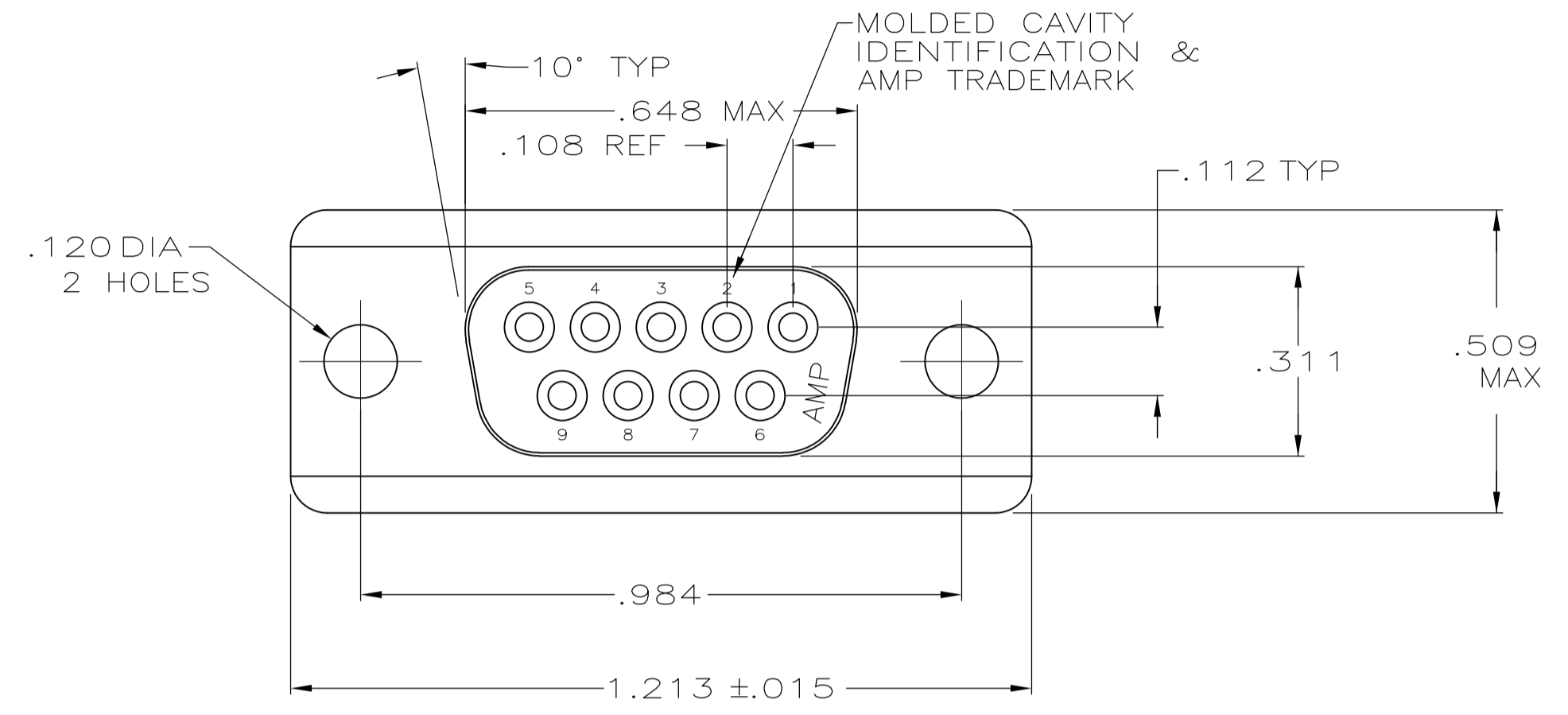
Contact us

Tel: +86-755-8981 8866 Fax: +86-755-8427 6832

Email & Skype: info@chipsmall.com Web: www.chipsmall.com

Address: A1208, Overseas Decoration Building, #122 Zhenhua RD., Futian, Shenzhen, China





- ① HOUSING FULLY LOADED WITH CONTACTS.
- ② NUMBER ON CONTACT INDICATES WIRE RANGE.
- ③ CONTACT INSULATION RANGE: .060 MAXIMUM O.D.
- ④ CONTACTS PLATED .000030 GOLD ON MATING END FOR .100 MIN LENGTH. .000100-.000200 THICK BRIGHT TIN OR BRIGHT TIN-LEAD IN AREA SHOWN. .000050 THICK NICKEL UNDERPLATE ON ENTIRE CONTACT.
- ⑤ CONTACTS PLATED WITH GOLD FLASH ON MATING END FOR .100 MIN LENGTH. .000100-.000200 THICK BRIGHT TIN OR BRIGHT TIN-LEAD IN AREA SHOWN. .000030 THICK NICKEL UNDERPLATE ON ENTIRE CONTACT.
- ⑥ CONTACTS PLATED .000030 GOLD ON MATING END FOR .100 MIN LENGTH. .000100-.000200 THICK MATTE TIN IN AREA SHOWN. .000050 THICK NICKEL UNDERPLATE ON ENTIRE CONTACT.
- ⑦ CONTACTS PLATED WITH GOLD FLASH ON MATING END FOR .100 MIN LENGTH. .000100-.000200 THICK MATTE TIN IN AREA SHOWN. .000030 MIN THICK NICKEL UNDERPLATE ON ENTIRE CONTACT.
- ⑧ HOUSING: BLACK THERMOPLASTIC 94V-0 RATED. CONTACTS: PHOSPHOR BRONZE.

	①	2	#22-26	745201-9
OBSOLETE	②	3	#20-22	745201-8
	③	2	#22-26	745201-7
SUPD BY 745201-3	④	3	#20-22	745201-6
OBSOLETE	⑤	2	#22-26	745201-5
OBSOLETE	⑥	1	#26-30	745201-4
OBSOLETE	⑦	3	#20-22	745201-3
OBSOLETE	⑧	2	#22-26	745201-2
OBSOLETE	⑨	1	#26-30	745201-1
	FINISH	⑩	AWG WIRE RANGE	PART NUMBER

THIS DRAWING IS A CONTROLLED DOCUMENT.

DIMENSIONS: INCHES	TOLERANCES UNLESS OTHERWISE SPECIFIED:	DIN	11-15-04
0. PLC ± -	1. PLC ± -	L. VARELA - DOCKS	11-15-04
2. PLC ± -	3. PLC ± .005	J. GERACE	11-15-04
4. PLC ± -	ANGLES ± °	M. WALMSLEY	11-15-04
MATERIAL	FINISH SEE TABLE	APVD	NAME
⑧			

STE TE Connectivity

ASSEMBLY RECEPTACLE, SIZE 1, 9 POSITION, AMPLIMITE

108-40011

114-40002

SIZE: A1 CAGE CODE: 00779 DRAWING NO: 745201

WEIGHT: -

CUSTOMER DRAWING SCALE: 4:1 SHEET: 1 OF 1 REV: M2