



Chipsmall Limited consists of a professional team with an average of over 10 year of expertise in the distribution of electronic components. Based in Hongkong, we have already established firm and mutual-benefit business relationships with customers from,Europe,America and south Asia,supplying obsolete and hard-to-find components to meet their specific needs.

With the principle of “Quality Parts,Customers Priority,Honest Operation,and Considerate Service”,our business mainly focus on the distribution of electronic components. Line cards we deal with include Microchip,ALPS,ROHM,Xilinx,Pulse,ON,Everlight and Freescale. Main products comprise IC,Modules,Potentiometer,IC Socket,Relay,Connector.Our parts cover such applications as commercial,industrial, and automotives areas.

We are looking forward to setting up business relationship with you and hope to provide you with the best service and solution. Let us make a better world for our industry!



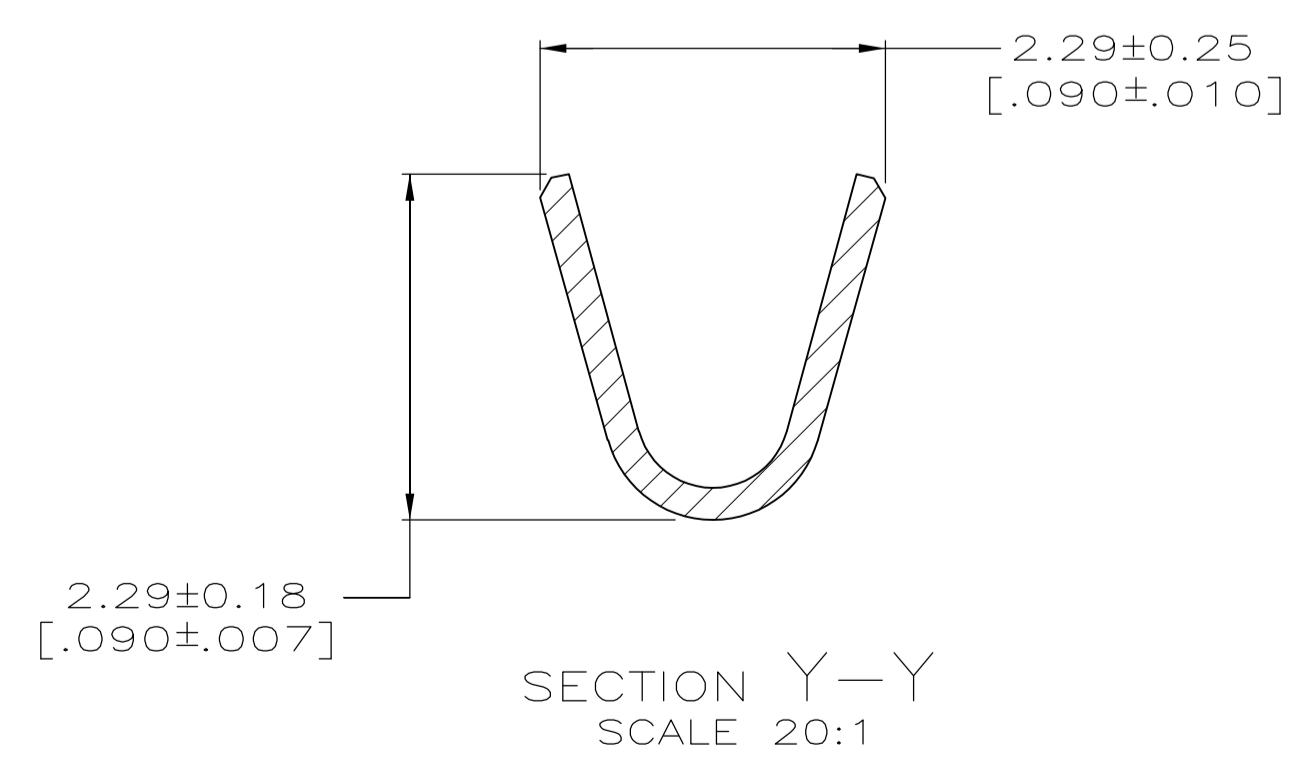
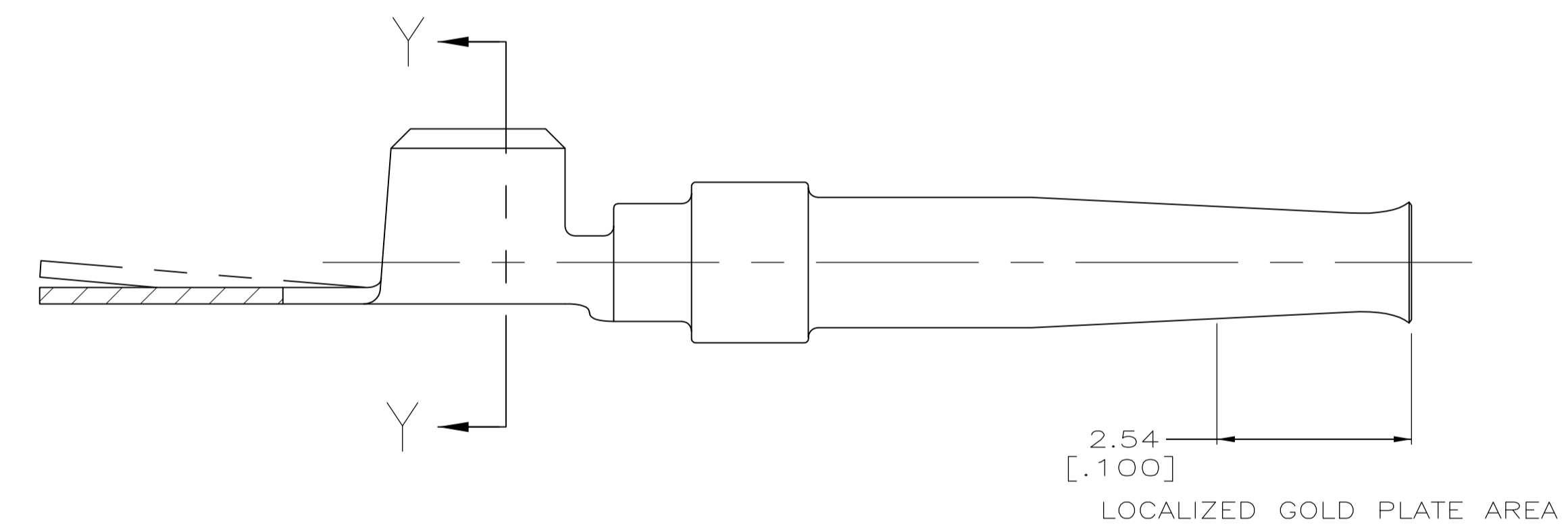
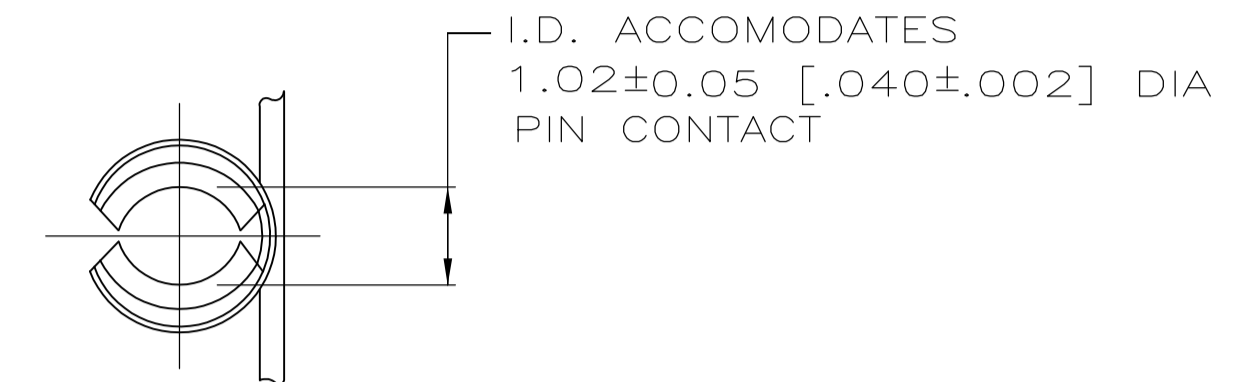
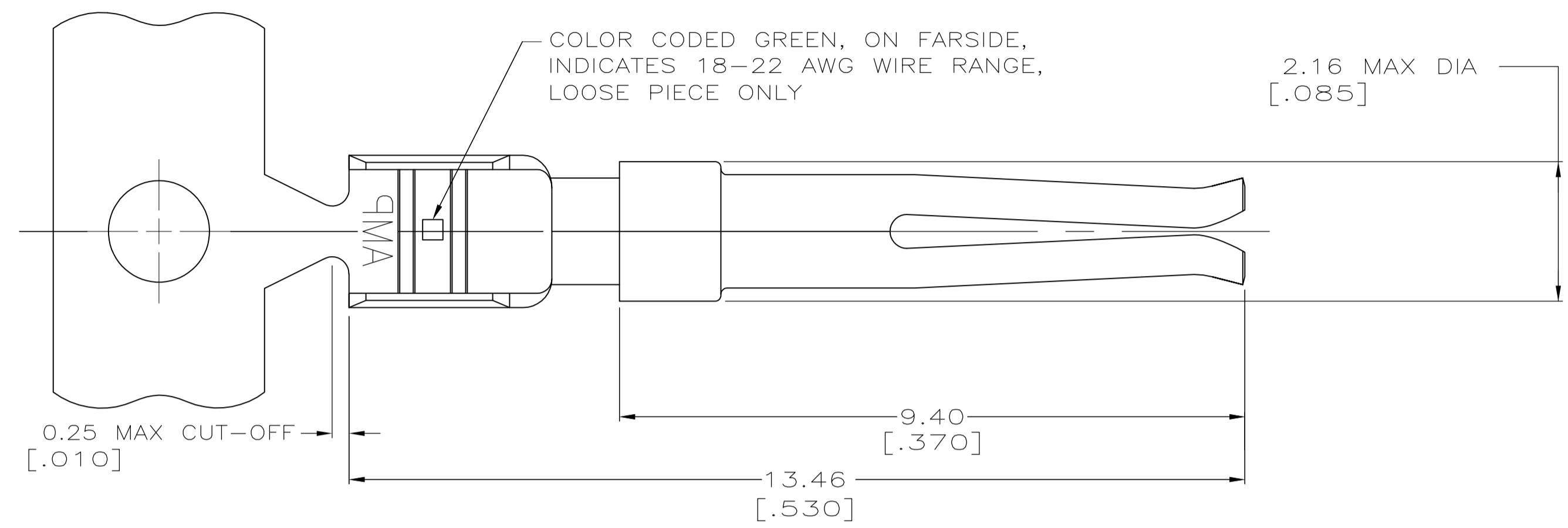
Contact us

Tel: +86-755-8981 8866 Fax: +86-755-8427 6832

Email & Skype: info@chipsmall.com Web: www.chipsmall.com

Address: A1208, Overseas Decoration Building, #122 Zhenhua RD., Futian, Shenzhen, China





- 1 FOR MINI-APPLICATOR.
- 2 PLATED WITH 0.76μm [.000030] GOLD ON INSIDE OF LOCALIZED GOLD PLATE AREA, GOLD FLASH ON REMAINDER, ALL OVER 1.27μm [.000050] NICKEL UNDERPLATE. -OR- GOLD FLASH OVER PALLADIUM-NICKEL 0.76μm [.000030] TOTAL ON INSIDE OF LOCALIZED GOLD PLATE AREA, GOLD FLASH ON REMAINDER, ALL OVER 1.27μm [.000050] NICKEL UNDERPLATE.
- 3 GOLD FLASH PER MIL-G-45204 ON INSIDE OF LOCALIZED GOLD PLATE AREA, GOLD FLASH PER MIL-G-45204 ON REMAINDER, ALL OVER 0.76μm [.000030] NICKEL UNDERPLATE PER QQ-N-290.
- 4 CARRIER STRIP MAY NOT BE GOLD PLATED.
- 5. MAX. INSULATION DIAMETER ALLOWABLE FOR EXTRACTING CONTACT FROM CONNECTOR WITH 91067-2 TOOL IS 1.73 [.068].
- 6 PLATED GOLD FLASH PER MIL-G-45204 ON MATING END FOR LENGTH OF 2.54 [.100] TIN PLATED WIRE BARRELS, ALL OVER 0.76μm [.000030] NICKEL PER QQ-N-290.
- 7 SELECTIVE GOLD PLATED 0.76μm [.000030] THICK PER MIL-G-45204 ON MATING END FOR LENGTH OF 2.54 [.100] TIN PLATED WIRE BARRELS, ALL OVER 1.27 [.000050] NICKEL PER QQ-N-290.
- 8 LOOSE PIECE PART NUMBERS ARE COLOR CODED.
- 9 OBSOLETE

1-745230-3	1-745230-1
1-745230-0	745230-8
745230-7	745230-5
745230-4	745230-2
FINISH	LOOSE PIECE PART NO
	PART NUMBER

THIS DRAWING IS A CONTROLLED DOCUMENT.		DWG W. ZELKO 10-3-80		TE Connectivity	
DIMENSIONS: mm [INCHES]		CHK R. BAER 11-3-80			
TOLERANCES UNLESS OTHERWISE SPECIFIED:		APVD R. LEHMAN 11-5-80		NAME CONTACT, SOCKET, SIZE 20 DF, 18-22 AWG	
0 PLC ± -		PRODUCT SPEC		APPLICATION SPEC	
1 PLC ± -		SIZE		CAGE CODE	
2 PLC ± 0.13 [.005]		DRAWING NO		RESTRICTED TO	
3 PLC ± -		A1 00779		C=745230	
4 PLC ± -		WEIGHT		SCALE 15:1	
ANGLES ± -		CUSTOMER DRAWING		SHEET 1 OF 1	
MATERIAL PHOS BRONZE		FINISH SEE TABLE		REV G1	