



Chipsmall Limited consists of a professional team with an average of over 10 year of expertise in the distribution of electronic components. Based in Hongkong, we have already established firm and mutual-benefit business relationships with customers from,Europe,America and south Asia,supplying obsolete and hard-to-find components to meet their specific needs.

With the principle of “Quality Parts,Customers Priority,Honest Operation,and Considerate Service”,our business mainly focus on the distribution of electronic components. Line cards we deal with include Microchip,ALPS,ROHM,Xilinx,Pulse,ON,Everlight and Freescale. Main products comprise IC,Modules,Potentiometer,IC Socket,Relay,Connector.Our parts cover such applications as commercial,industrial, and automotives areas.

We are looking forward to setting up business relationship with you and hope to provide you with the best service and solution. Let us make a better world for our industry!



Contact us

Tel: +86-755-8981 8866 Fax: +86-755-8427 6832

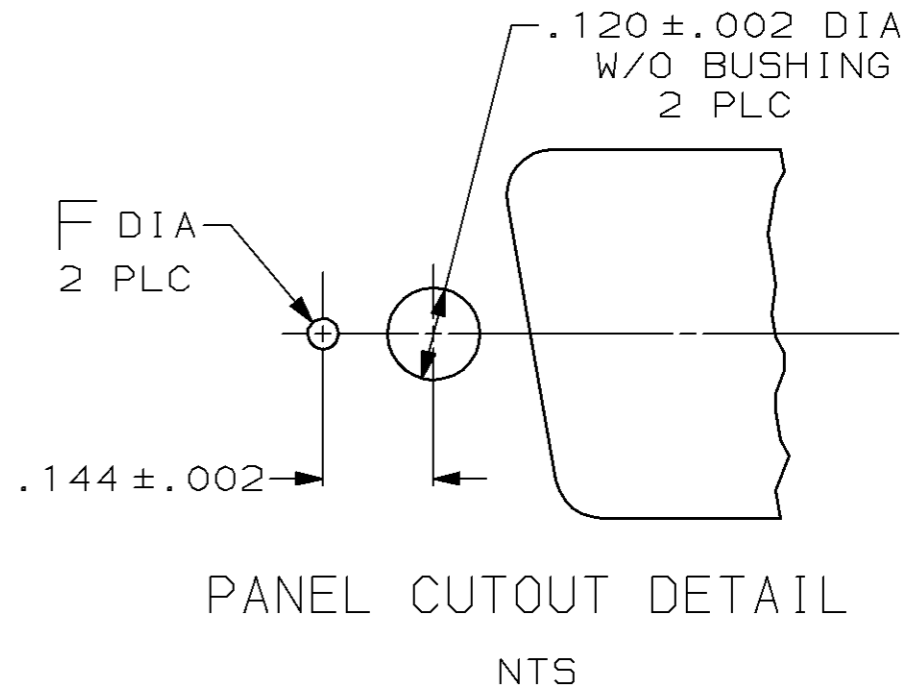
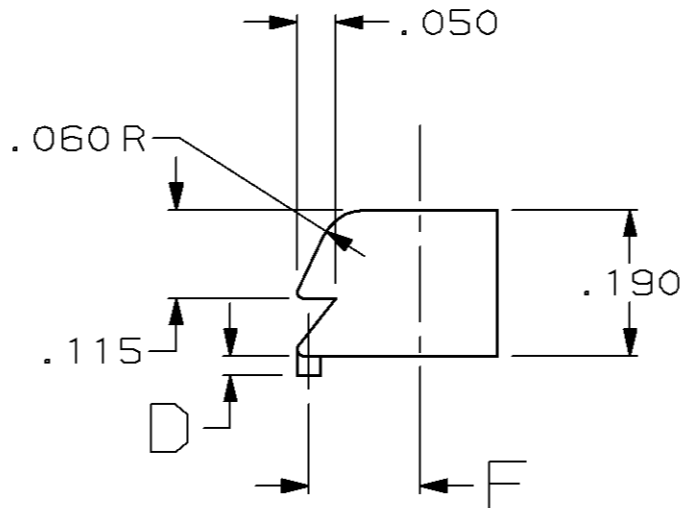
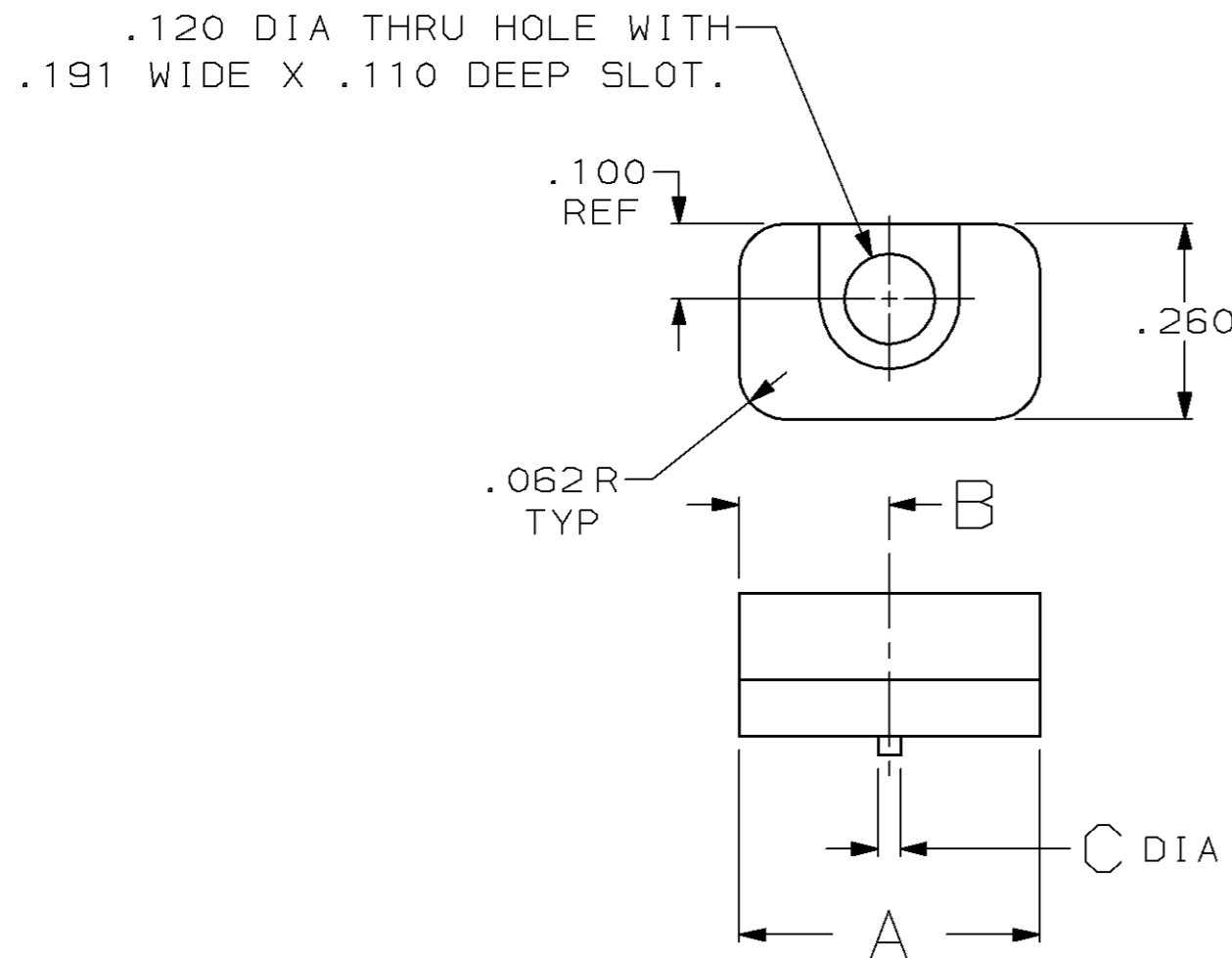
Email & Skype: info@chipsmall.com Web: www.chipsmall.com

Address: A1208, Overseas Decoration Building, #122 Zhenhua RD., Futian, Shenzhen, China



THIS DRAWING IS UNPUBLISHED. RELEASED FOR PUBLICATION, 19 .
 © COPYRIGHT 19 BY AMP INCORPORATED. ALL INTERNATIONAL RIGHTS RESERVED.

LOC	DIST	P	F	REVISIONS				
				ZONE	LTR	DESCRIPTION	DATE	APPD
BD	48				C	REDRAWN ON CAD	4-9-90	-
					D	OBS -6 PER EC 0420-145-96	12 SEP 97	SB



OBSOLETE	.050	.136	.055	.045	BULK PACKAGED	2	.200	.400	745245-7
OBSOLETE	.040	.144	.025	.030	BULK PACKAGED	2	.265	.530	745245-6
	.040	.144	.025	.030	ONE KIT PER BAG	2	.265	.530	745245-5
					BULK PACKAGED	2	.200	.400	745245-3
					ONE KIT PER BAG	2	.200	.400	745245-2
	F	E	D	C	PACKAGING	QUANTITY	B	A	PART NUMBER

DO NOT SCALE PRINT, UNLESS SPECIFIED. DIMENSIONS IN INCHES. TOLERANCES ON: 2 PLC DEC ± - 3 PLC DEC ± .005 ANGLES ± -	DR 4-9-90 J GALLUCCI BG	AMP AMP INCORPORATED Harrisburg, Pa. 17105		
	CHK 6-15-90 W. LENKER			
	MATERIAL ZINC	APPD 7-11-90 J. WESTMAN	NAME LATCHING BLOCK, AMPLIMITE™	
	FINISH -	APPD 7-16-90 J. ASSINI	SIZE B	FSCM NO 00779
	PRODUCT SPEC -	SCALE 4:1		SHEET 1 OF 1
	APPLICATION SPEC -			
	WEIGHT -			