



Chipsmall Limited consists of a professional team with an average of over 10 year of expertise in the distribution of electronic components. Based in Hongkong, we have already established firm and mutual-benefit business relationships with customers from,Europe,America and south Asia,supplying obsolete and hard-to-find components to meet their specific needs.

With the principle of "Quality Parts,Customers Priority,Honest Operation,and Considerate Service",our business mainly focus on the distribution of electronic components. Line cards we deal with include Microchip,ALPS,ROHM,Xilinx,Pulse,ON,Everlight and Freescale. Main products comprise IC,Modules,Potentiometer,IC Socket,Relay,Connector.Our parts cover such applications as commercial,industrial, and automotives areas.

We are looking forward to setting up business relationship with you and hope to provide you with the best service and solution. Let us make a better world for our industry!



## Contact us

Tel: +86-755-8981 8866 Fax: +86-755-8427 6832

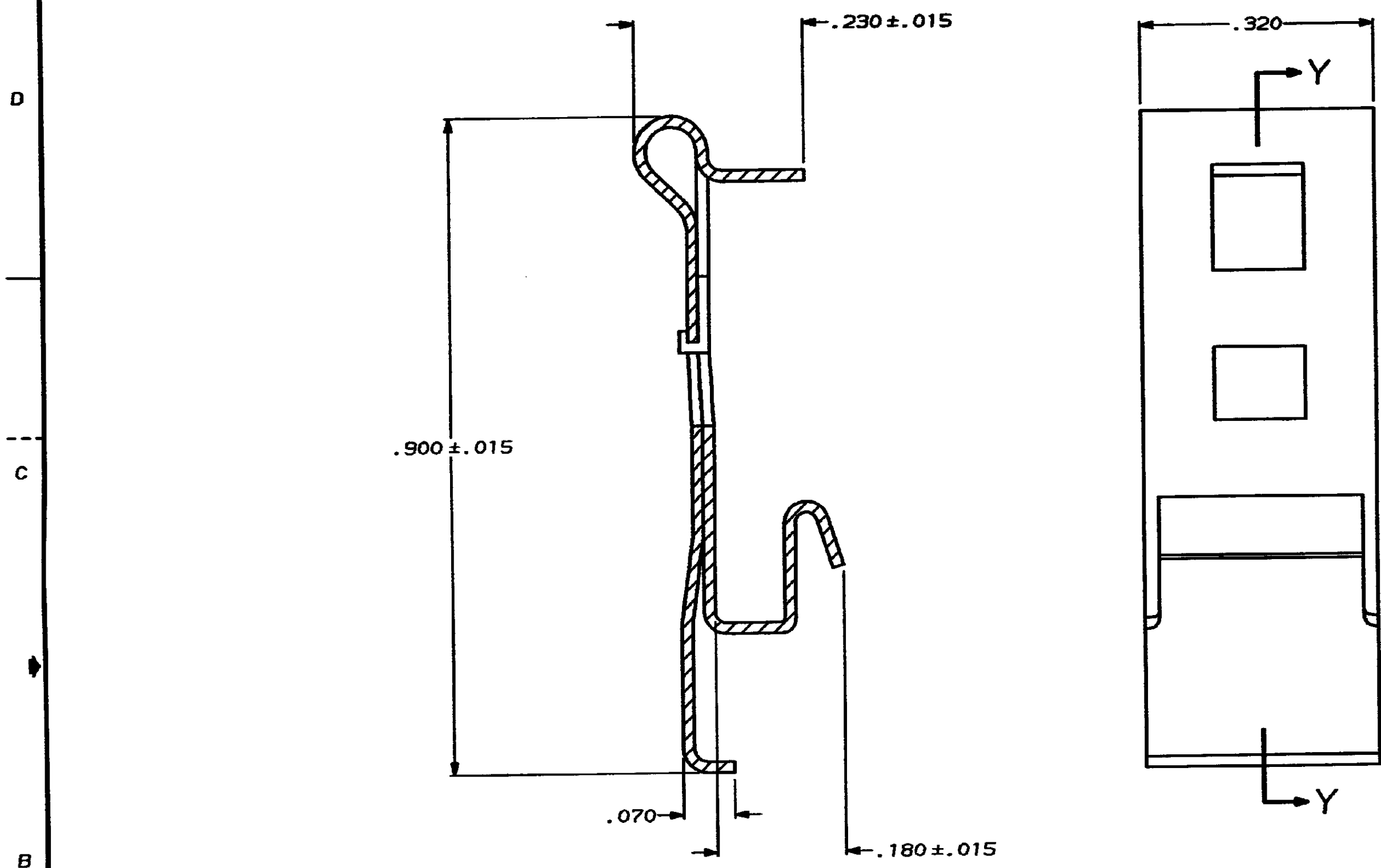
Email & Skype: info@chipsmall.com Web: www.chipsmall.com

Address: A1208, Overseas Decoration Building, #122 Zhenhua RD., Futian, Shenzhen, China



4  
DRAWING MADE IN THIRD ANGLE PROJECTION  
THIS DRAWING IS UNPUBLISHED. RELEASED FOR PUBLICATION .19  
© COPYRIGHT 19 BY AMP INCORPORATED. ALL INTERNATIONAL RIGHTS RESERVED.

MOD	LOC	QTY	P	F	ZONE	LTR	REVISIONS	DATE	APPD
8	BD	39				A	REVISIONS		
							DESCRIPTION		
							REDRAWN ON CAD	4-16-90	



SECTION Y-Y

PACKAGING	QUANTITY	PART NUMBER
BULK PACKAGED	2	745255-3
ONE KIT PER BAG	2	745255-2

DO NOT SCALE PRINT. UNLESS SPECIFIED DIMENSIONS IN INCHES TOLERANCES ON: 2 PLC DEC ± - 3 PLC DEC ± .010 ANGLES ± - MATERIAL STAINLESS STEEL .015 THICK FINISH -	DR 4-16-90 J GALLUCCI BG CHK - W.G. Runk APPD - J.E. Abt 7-11-90 APPD - J. Quinn 7-16-90 PRODUCT SPEC -	<b>AMP</b> AMP INCORPORATED Harrisburg, Pa. 17105 NAME SPRING LATCH, AMPLIMITE™
	APPLICATION SPEC - WEIGHT -	SIZE <b>C</b> SCALE 8:1

CUSTOMER DRAWING